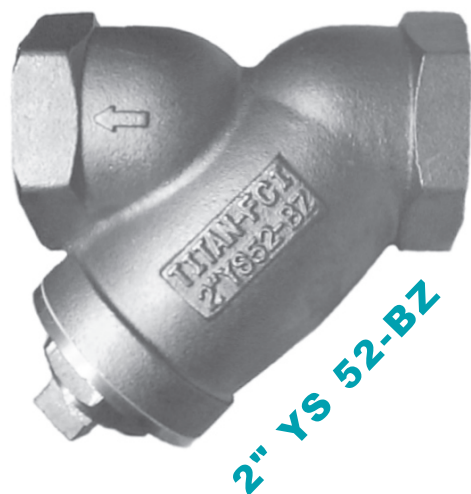


TITAN**WYE STRAINER • THREADED ENDS****Class 250 • Cast Bronze****Model: YS 52-BZ****Size Range: 1/4" thru 3"****WORKING PRESSURES & TEMPERATURE - NON-SHOCK**

ANSI 250 lb Class	YS 52-BZ
WOG (Water, Oil, Gas)	400 PSI @ 150 °F
Saturated Steam	250 PSI @ 406 °F
MAX Liquid	250 PSI @ 400 °F

Features:

- Self Cleaning Type
- Easily Removable Gasketed Screen Caps
- Cap Gasket Is Encapsulated In Machined Recessed Seat
- Straight Threads On Cap Permit Easy Removal When The Screen Must Be Cleaned. Also Helps To Assure Proper Alignment Of The Screen When Reassembled
- Machined Screen Seat (Enables Fine Filtrations)
- Tapped NPT Blow-off
- Drain/Blow-off Connection Furnished With Plug As Standard
- Strainer Is Designed With Large Open Area
Minimum 2.5x Larger Than Corresponding Pipe Size
Large Open Area Ensures Low Pressure Loss
- Hex Ends For Easy Installation

Rugged Design Ideal for HVAC, Commercial and Industrial Type Applications



TITAN FLOW CONTROL
LUMBERTON, NC USA

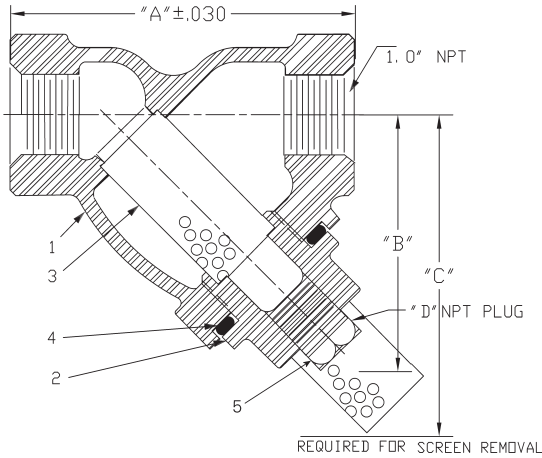
WYE STRAINER

MODEL: YS 52-BZ

THREADED ENDS

CAST BRONZE

ANSI Class 250 lb



BILL OF MATERIALS

No.	PART	MATERIALS
1	BODY	BRONZE ASTM B62
2	CAP	BRONZE ASTM B62
3	SCREEN*	STAINLESS STEEL
4	GASKET*	NON-ASBESTOS
5	PLUG	BRONZE ASTM B62

*Recommended spare parts

Notes:

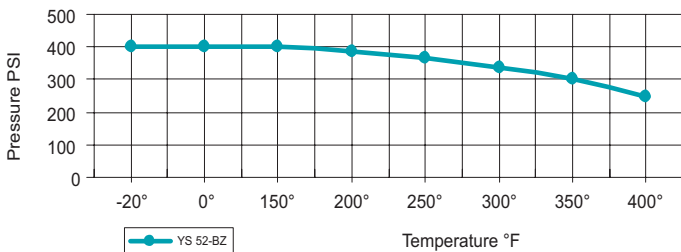
- Designed in accordance with ASME B16.15
- Cap gasket is encapsulated in machined recessed seat

DIMENSIONS:

SIZE	in	1/4	3/8	1/2	3/4	1	1 1/4	1 1/2	2	2 1/2	3
	mm	8	10	15	20	25	32	40	50	65	80
A DIMENSION FACE TO FACE	in	2.25	2.25	2.25	3.00	3.75	4.43	4.93	5.68	8.31	9.25
	mm	57.15	57.15	57.15	76.20	95.25	112.52	125.22	144.27	211.07	234.95
B DIMENSION CTR. LINE TO BOTTOM	in	2.59	2.59	2.71	3.03	3.65	4.60	4.96	5.87	7.60	8.46
	mm	65.78	65.78	68.83	76.96	92.71	116.84	125.98	149.09	193.04	214.88
C DIMENSION SCREEN REMOVAL	in	3.00	3.75	4.00	4.25	4.75	6.00	7.00	8.00	12.00	12.00
	mm	76.20	95.25	101.60	107.95	120.65	152.40	177.80	203.20	304.80	304.80
D DIMENSION NPT BLOW-OFF	in	1/8	1/8	1/4	1/4	1/2	1/2	3/4	1	1 1/4	1 1/2
	mm	3.17	3.17	6.35	6.35	12.70	12.70	19.05	25.40	31.75	38.10
ASSEMBLED WEIGHT	lb	0.88	0.88	0.88	1.32	1.76	3.52	4.84	7.04	14.52	17.16
	kg	0.40	0.40	0.40	0.60	0.80	1.60	2.20	3.20	6.60	7.80
Flow Coefficient	C _v	---	---	9.2	18	30	45	62	100	130	165

*Dimensions (inches) are rounded down to two decimal places.

PRESSURE & TEMPERATURE CHART YS 52-BZ ANSI 250



TESTING:

Strainers are individually, hydrostatically tested at 1.5 x the 100 °F rating, rounded off to the next higher 25 PSI measurement .

NOTES:

Optional magnetic screen assemblies are available.
Please consult factory for pricing and delivery.

WORKING PRESSURES & TEMPERATURE - NON-SHOCK

ANSI 250 lb Class	YS 52-BZ
WOG (Water, Oil, Gas)	400 PSI @ 150 °F
Saturated Steam	250 PSI @ 406 °F
Max Liquid	250 PSI @ 400 °F

STANDARD SCREEN SELECTIONS

Sizes	Water Service	Open Area	Steam	Open Area
1/4" ~ 2"	20 mesh	52%	30 mesh	41%
2 1/2" ~ 3"	1/16 perf.	37%	3/64 perf.	36%

A wide range of optional wire mesh and perforated screens are available.

APPLICABLE STANDARDS

Design	ANSI B16.15
Shell Wall Thickness	ANSI B16.15
Pressure vs. Temp. Rating	ANSI B16.15

Ordering Code: _____ Size: _____
 Customer/Project: _____
 Inq./P.O. No.: _____
 Titan Order No.: _____
 Certified By: _____ Date: _____



TITAN FLOW CONTROL, INC.
Engineering Specification Submittal

WYE STRAINER • BRONZE • THREADED ENDS • YS 52-BZ

Series	Size	Part No.	Material Trim Code	Drawing No.
				YS 52-BZ