

TITAN

WYE STRAINER • THREADED ENDS

Class 250 lb • CAST IRON BODY



2" YS 12-CI

Model: YS 12-CI

ANSI Class 250 lb
Size Range: 1/4" ~ 3"

WORKING PRESSURES & TEMPERATURE - NON-SHOCK

ANSI 250 lb Class	Model: YS 12-CI
WOG (Water, Oil, Gas)	500 PSI @ 150 °F
Saturated Steam	250 PSI @ 406 °F
MAX Liquid	250 PSI @ 450 °F

Features:

- SELF CLEANING TYPE
- EASILY REMOVABLE GASKETED SCREEN CAPS
- STRAIGHT THREADS ON CAP PERMIT EASY REMOVAL WHEN SCREEN MUST BE CLEANED
ALSO HELPS TO ASSURE PROPER ALIGNMENT OF THE SCREEN DURING REASSEMBLY
- PRECISION MACHINED SEATS IN BOTH THE BODY AND CAP - ENABLES FINE FILTRATIONS
- TAPPED NPT BLOW-OFF
- DRAIN/BLOW-OFF CONNECTION IS FURNISHED WITH PLUG AS STANDARD
- EPOXY COATING IS STANDARD
- HEX ENDS ALLOW FOR EASY INSTALLATION
- MEETS MILITARY SPECIFICATIONS WITH BRONZE BLOW-OFF PLUG
- STRAINER HAS LARGE OPEN AREA MINIMUM 2.5 TIMES LARGER
HELPS TO ENSURES LOW PRESSURE LOSS
- LARGE VARIETY OF PERFORATED AND MESH LINED SCREENS AVAILABLE

*Economical Design that is Ideal for HVAC,
Commercial, and Industrial Applications*

290 Corporate Drive
 PO Box 7408
 Lumberton, NC 28358

Titan Flow Control, Inc.
www.titanfci.com

Tel: 910-735-0000
 Fax: 910-738-3848
titan@titanfci.com



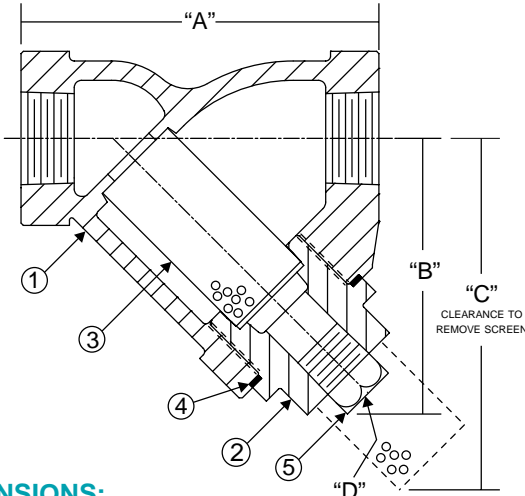
TITAN FLOW CONTROL
LUMBERTON, NC USA

WYE STRAINER

MODEL: YS 12-CI

Cast Iron • Threaded Ends • Gasketed Cap

ANSI Class 250 lb

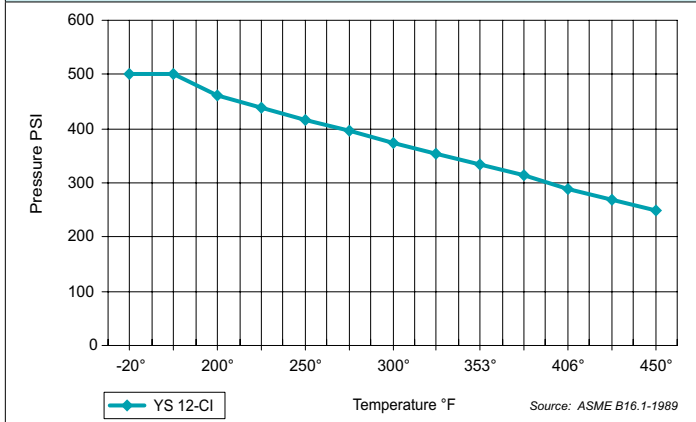


DIMENSIONS:

SIZE	in	1/4	3/8	1/2	3/4	1	1 1/4	1 1/2	2	2 1/2	3
	mm	8	10	15	20	25	32	40	50	65	80
A DIMENSION FACE TO FACE	in	3.188	3.188	3.188	3.75	4.0	5.0	5.75	7.0	9.25	10.0
	mm	81	81	81	95	102	127	146	178	235	254
B DIMENSION CTR. LINE - BOTTOM	in	2.063	2.063	2.063	2.438	2.625	3.375	3.875	4.75	5.875	6.0
	mm	52	52	52	62	67	86	98	121	149	152
C DIMENSION SCREEN REMOVAL	in	2.375	2.375	2.375	3.0	3.25	4.25	5.0	6.125	7.875	8.0
	mm	60	60	60	76	83	108	127	156	200	203
D DIMENSION NPT BLOW-OFF	in	1/4	1/4	1/4	3/8	3/8	3/4	3/4	1	1 1/2	1 1/2
	mm	15	15	15	20	20	32	32	40	65	65
ASSEMBLED WEIGHT	lb	1.5	1.5	1.5	2.5	3.5	5.0	9.0	14.0	25.5	32.0
	kg	0.7	0.7	0.7	1.1	1.6	2.3	4.1	6.3	11.6	14.5
Flow Coefficient	C _v	C/F	C/F	9.3	18	30	45	61	99	128	168

Dimensions and weights are for reference only. When required, request certified drawing.

PRESSURE-TEMPERATURE • YS 12-CI • ANSI CLASS 250 LB



TESTING: Strainers are individually, hydrostatically tested at 1.5 x the 100 °F rating, rounded off to the next higher 25 PSI measurement.

WORKING PRESSURES & TEMPERATURE - NON-SHOCK

ANSI 250 lb Class	YS 12-CI
WOG (Water, Oil, Gas)	500 PSI @ 150 °F
Saturated Steam	250 PSI @ 406 °F
Max Liquid	250 PSI @ 450 °F

STANDARD SCREEN SELECTIONS

Sizes	Water Service	Open Area	Steam	Open Area
1/4" ~ 2"	20 mesh	52%	30 mesh	41%
2 1/2" ~ 3"	.0625 (1/16)	37%	.045 (3/64)	36%

A wide range of wire mesh and perforated screens are available.

REFERENCED STANDARDS

Design	ANSI B16.4
Shell Wall Thickness	ANSI B16.4
Pressure vs. Temp. Rating	ANSI B16.4

Ordering Code: _____ Size: _____
 Customer/Project: _____
 Inq./P.O. No.: _____
 Titan Order No.: _____
 Certified By: _____ Date: _____



TITAN FLOW CONTROL, INC.
Engineering Specification Submittal

WYE STRAINER - CAST IRON - THREADED ENDS • YS 12-CI

Size	Model Number	Description	Drawing No.