

# Remote Reading Dial Thermometers

4 1/2" to 8 1/2" / Cast Aluminum Case / Vapor, Liquid or Mercury Actuation



M80341 pictured

4 1/2", 6" and 8 1/2" Dial Sizes

± One Scale Division Accuracy

Cast Aluminum Case


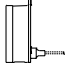
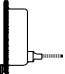
Vapor, Liquid or Mercury Actuated

This Trerice Remote Reading Dial Thermometer is furnished with a rugged cast aluminum case in 4 1/2", 6" and 8 1/2" dial sizes. This instrument is designed for a wide variety of industrial applications, and is available with vapor, liquid or mercury actuation.

Optional features are also available. Please consult the Options Section for details.

For applications where the process media may be corrosive or contained under pressure, the use of a thermowell is required to prevent damage to the thermometer and facilitate its removal from the process.

## Specifications

Model	Size	Case Style	Case Material	Dialface
80341	4 1/2"	 Surface mounted, back flanged, bottom outlet	Cast aluminum, black finished	Aluminum, white background with black graduations and markings
80361	6"			
80381	8 1/2"			
80342	4 1/2"	 Surface mounted, back flanged, back outlet	<b>Window</b> Glass	<b>Accuracy</b> ±One scale division
80362	6"			
80382	8 1/2"			
80345	4 1/2"	 Flush mounted, hinged ring, back outlet	<b>Ring</b> Friction type, 304 stainless steel (hinged type, black finished aluminum; 80345, 80365 only)	<b>Approximate Shipping Weight</b> 4 1/2" Dial: 2.4 lbs [1.09 kg] 6 1/2" Dial: 3.0 lbs [1.36 kg] 8 1/2" Dial: 4.0 lbs [1.82 kg]
80365	6"			
			<b>Pointer</b> Adjustable, black finished	

## How to Order

Sample Order Number M80361080B0420

M	800361	080	B04	20
Actuation	Model	Specific Range	Thermal System	Capillary Length
V Vapor	80341	See Standard Available Ranges (over)	See Thermal System Selection (page 28)	05 5 Feet
L Liquid				10 10 Feet
M Mercury				15 15 Feet
	80361			20 20 Feet
				80362
				80365
	80381			
				80382

Other: Specify Length in Feet  
 Vapor: 100 Feet Maximum  
 Liquid: 20 Feet Maximum  
 Mercury: 100 Feet Maximum\*

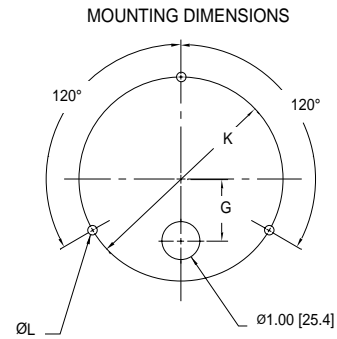
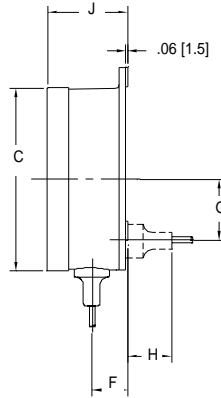
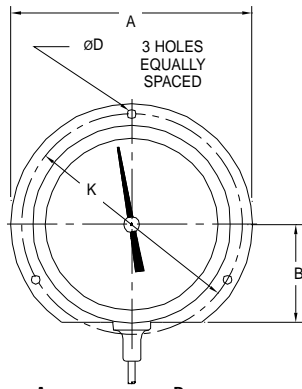
\*Over 50 feet requires temperature compensated capillary – consult factory.

# Remote Reading Dial Thermometers

4 1/2" to 8 1/2" / Cast Aluminum Case / Vapor, Liquid or Mercury Actuation

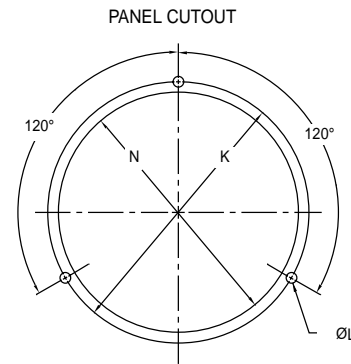
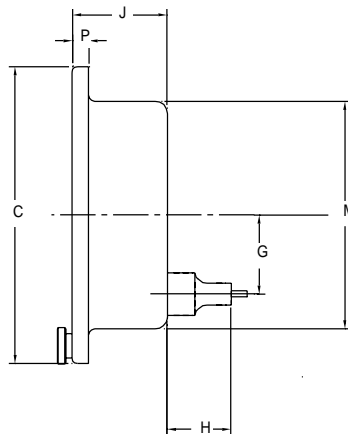
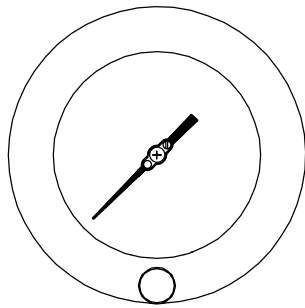
All dimensions are nominal.  
Dimensions in [ ] are in millimeters.

## Surface Mount Back Flange Case



Dial Size	A	B	C	D	F	G	H	J	K	L
4 1/2"	5.88 [149.7]	2.39 [60.7]	4.79 [121.7]	0.22 [5.6]	0.94 [23.8]	1.63 [41.3]	1.41 [35.7]	2.06 [52.4]	5.38 [136.5]	0.25 [6.4]
6"	7.62 [193.6]	3.14 [79.8]	6.29 [159.8]	0.28 [7.1]	0.94 [23.8]	1.63 [41.3]	1.41 [35.7]	2.09 [53.0]	7.00 [177.8]	0.31 [7.9]
8 1/2"	10.25 [260.4]	4.38 [111.1]	8.80 [223.4]	0.28 [7.1]	0.97 [24.6]	1.63 [41.3]	1.41 [35.7]	2.24 [56.8]	9.63 [244.5]	0.31 [7.9]

## Flush Mount Hinged Ring Case



Dial Size	C	G	H	J	K	L	M	N	P
4 1/2"	6.10 [155.0]	1.62 [41.1]	1.31 [33.4]	1.97 [50.0]	5.38 [136.7]	0.22 [5.6]	4.78 [121.4]	4.94 [125.5]	0.34 [8.6]
6"	7.69 [195.3]	1.62 [41.1]	1.31 [33.4]	1.97 [50.0]	7.00 [177.8]	0.28 [7.1]	6.22 [158.0]	6.44 [163.5]	0.34 [8.6]

## Standard Available Ranges

Vapor Actuated			Liquid Actuated			Mercury Actuated		
Fahrenheit Code	Fahrenheit Range	Celsius Code Range	Fahrenheit Code	Fahrenheit Range	Celsius Code Range	Fahrenheit Code	Fahrenheit Range	Celsius Code Range
030	-40° to 150°F	430 -40° to 65°C	230	020 -40° to 120°F	420 -40° to 50°C	220	020 -40° to 120°F	420 -40° to 50°C
040	-20° to 100°F	440 -30° to 40°C	240	050 0° to 100°F	450 -20° to 40°C	250	050 0° to 100°F	450 -20° to 40°C
050	0° to 100°F	450 -20° to 40°C	250	060 0° to 160°F	460 -20° to 70°C	260	060 0° to 160°F	460 -20° to 70°C
065	0° to 160°F	465 -20° to 70°C	265	100 30° to 180°F	495 0° to 80°C	300	100 30° to 180°F	495 0° to 80°C
100	30° to 180°F	500 0° to 85°C	300	110 30° to 240°F	510 0° to 115°C	310	110 30° to 240°F	510 0° to 115°C
110	30° to 240°F	510 0° to 115°C	310	130 50° to 300°F	530 10° to 150°C	330	070 0° to 300°F	470 -20° to 150°C
120	30° to 300°F	520 0° to 150°C	320				080 0° to 400°F	480 -20° to 200°C
145	100° to 350°F	545 40° to 180°C	345				090 0° to 600°F	490 -20° to 320°C
160	200° to 450°F	560 90° to 230°C	360				155 150° to 750°F	555 50° to 400°C
							175 200° to 1000°F	575 100° to 550°C