



TITAN FLOW CONTROL, INC.

SILENT CHECK VALVE ♦ GLOBE TYPE ♦ CENTER GUIDED

ANSI CLASS 250/300 ♦ DUCTILE IRON

MODELS: CV 52-DB
(BRONZE TRIM)

CV 52-DS
(STAINLESS TRIM)

2" TROUGH 24"

FEATURES

- ◇ SILENT SHUT-OFF IS ACHIEVED VIA THE FULLY AUTOMATIC, SPRING-ASSISTED, DOUBLE-GUIDED DISC THAT CLOSES AT ZERO FLOW VELOCITY
- ◇ SHORT TRAVEL DISTANCE (APPROX. 1/4 OF VALVE SIZE) AND QUICK CLOSURE OF THE DISC ELIMINATES WATER HAMMER BY CREATING A POSITIVE SHUTOFF PRIOR TO FLOW REVERSAL
- ◇ HEAD LOSS IS MINIMIZED BY PROVIDING A LARGE CROSS-SECTIONAL AREA WHICH EXCEEDS THAT OF THE ADJACENT PIPELINE
- ◇ DUCTILE IRON BODY MAINTAINS THE ANTI-CORROSIVE PROPERTIES OF CAST IRON WHILE ACHIEVING A YIELD STRENGTH COMPARABLE TO CARBON STEEL
- ◇ CAN BE INSTALLED IN ANY POSITION (HORIZONTAL OR VERTICAL WITH UPWARD FLOW) - CONSULT FACTORY FOR VERTICAL WITH DOWNWARD FLOW
- ◇ CERTAIN SIZES ALLOW DIRECT MOUNTING OF A WAFER TYPE BUTTERFLY VALVE TO THE OUTLET END WITHOUT REQUIRING A SPACE FLANGE OR SPOOL PIECE



TECHNICAL

PRESSURE/ TEMPERATURE RATING DUCTILE IRON ASTM A536 CLASS 300

WOG: 640 PSI @ 100 °F ⁽¹⁾

- I. Ductile Iron check valves offer higher pressure ratings than Cast Iron check valves. For example, Ductile Iron check valves (2" ~ 24") are rated at 640 PSI WOG. By comparison, Cast Iron check valves (2" ~ 12") are rated at 500 PSI WOG and (14" ~ 24") are only rated at 300 PSI WOG.

APPLICATIONS

MARKETS: OIL AND GAS PRODUCTION, GENERAL INDUSTRY, CHEMICAL, PETROCHEMICAL, POWER, AND FOOD AND BEVERAGE

SERVICE: PUMP DISCHARGE SERVICE IN MUNICIPAL WATER, IRRIGATION, AND INDUSTRIAL CLASS HVAC SYSTEMS. A TITAN FCI STRAINER SHOULD BE INSTALLED AHEAD OF THE PUMP TO ENSURE PROTECTION OF THE CHECK VALVE AND PUMP.

PRECAUTIONS: CHECK VALVE IS INTENDED FOR LIQUID SERVICE THAT DOES NOT EXCEED 10 FT/SEC. NOT RECOMMENDED FOR STEAM SERVICE. SHOULD BE INSTALLED AT LEAST FIVE PIPE DIAMETERS DOWNSTREAM FROM ANY TURBULENCE PRODUCING COMPONENTS. FLOW STRAIGHTENERS MAY BE REQUIRED IN CERTAIN APPLICATIONS.

The above data represents common market and service applications. No representation or guarantee, expressed or implied, is given due to the numerous variations of concentrations, temperatures and flow conditions that may occur during actual service.

TITAN FLOW CONTROL, INC.

SERVICE ♦ QUALITY ♦ COMMITMENT

Tel: 910-735-0000 ♦ Fax: 910-738-3848 ♦ titan@titanfci.com ♦ www.titanfci.com
290 Corporate Drive ♦ PO Box 7408 ♦ Lumberton, NC 28358



TITAN FLOW CONTROL, Inc.

290 Corporate Drive
Lumberton, NC 28358
Tel: 910.735.0000
Fax: 910.738.3848

E-mail: titan@titanfci.com
Web: www.titanfci.com

SILENT CHECK VALVE • GLOBE TYPE

CENTER GUIDED DISC

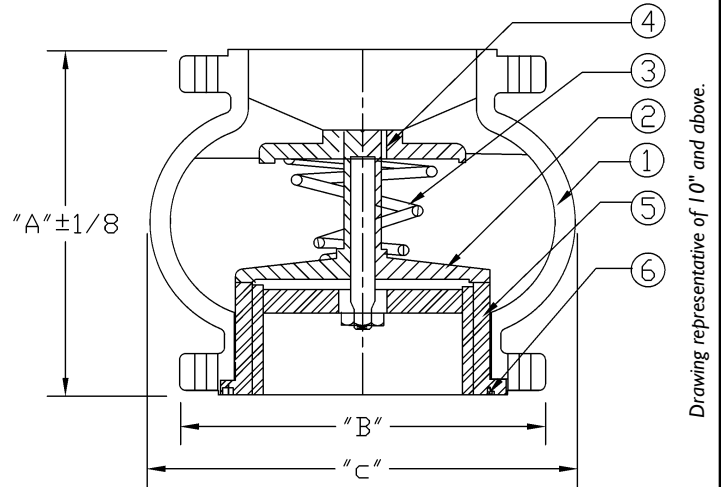
**MODELS: CV 52-DB (Bronze Trim)
CV 52-DS (Stainless Steel Trim)**

ANSI Class
250/300 lb

BILL OF MATERIALS ⁽¹⁾

No.	PART	CV 52-DB	CV 52-DS
1	Body	D.I. ASTM A536	D.I. ASTM A536
2	Disc ⁽²⁾	Aluminum Bronze	CF8M Type 316 SS
3	Spring ⁽²⁾	ASTM A276 302 SS	ASTM A276 302 SS
4	Bushing ⁽²⁾	Bronze	Type 316 SS
5	Seat ⁽²⁾	Aluminum Bronze	CF8M Type 316 SS
6	Bolts	Type 316 SS	Type 316 SS

1. Bill of Materials represents standard materials. Equivalent or better materials may be substituted at the manufacturer's discretion. All materials conform to ASTM specifications.
2. Denotes recommended spare parts.

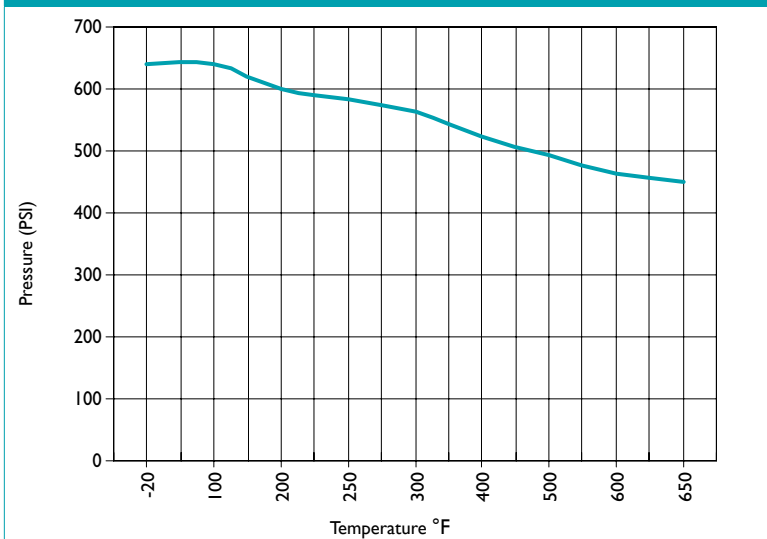


DIMENSIONS AND PERFORMANCE DATA

SIZE		2	2 1/2	3	4	5	6	8	10	12	14	16	18	20	24
	in	50	65	80	100	125	150	200	250	300	350	400	450	500	600
A DIMENSION FACE TO FACE	in	6.75	7.625	8.25	9.125	10.375	11.375	14.0	17.0	20.875	23.375	25.625	24.125	25.625	26.0
	mm	172	194	210	232	264	289	356	432	531	594	651	613	651	661
ØB DIMENSION FLANGE DIAMETER	in	6.5	7.5	8.25	10.0	11.0	12.5	15.0	17.5	20.5	23.0	25.5	28.0	30.5	36.0
	mm	166	191	210	254	280	318	381	445	521	585	648	712	775	915
ØC DIMENSION BELLY DIAMETER	in	4.875	5.75	6.625	8.875	10.375	11.5	15.0	17.875	22.125	24.25	26.875	30.0	33.25	37.0
	mm	124	147	169	226	264	293	381	455	562	616	683	762	845	940
ASSEMBLED WEIGHT	lb	24	28	46	76	134	144	242	367	672	725	1000	1238	1775	2500
	kg	10.9	12.7	20.8	34.4	60.7	65.2	109.7	166.3	304.5	328.5	453.1	560.9	804.3	1132.8
Flow Coefficient	C _v	54	105	150	265	410	600	1100	1800	2500	3100	4300	5000	6300	9800
Cracking Pressure	psi	C/F	C/F	C/F	C/F	C/F	C/F	C/F	C/F	C/F	C/F	C/F	C/F	C/F	C/F

Dimensions and weights are for reference only. When required, request certified drawings.

PRESSURE-TEMPERATURE RATINGS ⁽¹⁾: D.I. A536 CLASS 300



1. Pressure-Temperature ratings in accordance with ASME B16.42-1998.

REFERENCED STANDARDS & CODES

CODE	DESCRIPTION
ANSI B16.42	Ductile Iron Pipe Flanges and Flanged Fittings
ANSI B16.5	Pipe Flanges & Flanged Fittings
MSS SP-6	Standard Finishes for Connecting-end Flanges
MSS SP-25	Standard Marking System for Valves
MSS SP-55	Quality Standard for Valve Castings

PRESSURE/TEMPERATURE RATING

Pressure Class	D.I. A536 CLASS 300
WOG (water, oil, gas)	640 PSI @ 100 °F ⁽¹⁾

1. Ductile Iron check valves offer higher pressure ratings than Cast Iron check valves. For example, Ductile Iron check valves (2" ~ 24") are rated at 640 PSI WOG. By comparison, Cast Iron check valves (2" ~ 12") are rated at 500 PSI WOG and (14" ~ 24") are only rated at 300 PSI WOG.

Ordering Code: _____ Size: _____

Customer/Project: _____

Inq./P.O. No.: _____

Titan Order No.: _____

Certified By: _____ Date: _____



TITAN FLOW CONTROL, INC.
Engineering Specification Submittal

Globe Type - Silent Check Valve • Models: CV 52-DB & CV 52-DS

Size	Model Number	Description	Drawing Number