



TITAN FLOW CONTROL
LUMBERTON, NC USA

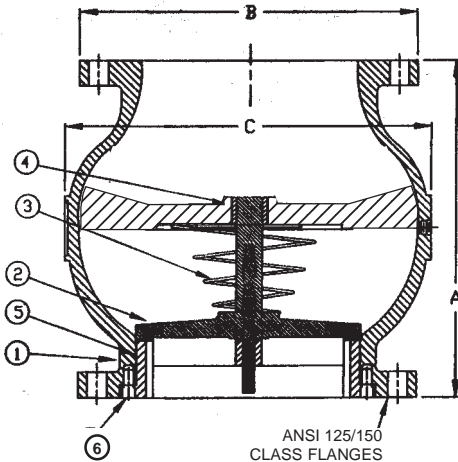
SILENT CHECK VALVE
MODEL CV50-DI

ANSI
150 lbs.

PRESSURE RATING

2" thru 24" WOG 250 PSI @ 100°F
Not recommended for Steam over 50 PSI

FLAT FACED



ANSI 125/150 CLASS FLANGES
SPRING ACTIVATED AT 1/2 PSI

BILL OF MATERIALS:

ITEM	NAME	MATERIAL
1	Body	Ductile Iron ASTM A536
2	Disc*	Cast Bronze B62
3	Spring*	Stainless Steel A276 Type 302
4	Bushing*	Cast Bronze B62
5	Seat*	Cast Bronze B62
6	Seat Socket Head Bolts	316SS
	Finish	Epoxy Coated

*Recommended spare parts

- All bodies are epoxy coated
- Body material is Ductile Iron with a higher strength of 65,000 lbs/in than Cast Iron's 31,000 lbs/in
- Ductile Iron Check Valves are rated at 250 PSI WOG, All sizes 2" thru 24"
- Cast Iron Check Valves are rated at 200 PSI WOG, sizes 2" thru 12" and 150 PSI WOG sizes 14" thru 24"

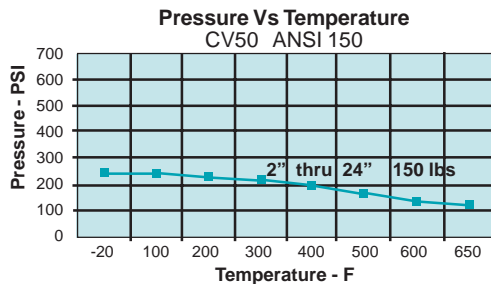
DIMENSIONS

SIZE	in	2	2 1/2	3	4	5	6	8	10	12	14	16	18	20	24
	mm	50	65	80	100	125	150	200	250	300	350	400	500	550	600
A	in	6 1/4	7	7 1/2	8 1/2	9 1/2	10 1/2	12 3/4	16 1/4	20 1/2	22 3/4	24 3/4	22 1/2	24	24
	mm	159	178	191	204	216	241	268	413	514	578	629	572	610	610
B	in	6	7	7 1/2	9	10	11	13 1/2	16	19	21	23 1/2	25	27 1/2	32
	mm	152	178	191	229	254	279	343	406	483	533	597	635	698	813
C	in	4 5/8	5 1/2	6 1/4	8 5/8	10	11 1/8	14 5/8	17 3/8	21 3/4	24	26 3/8	29 5/8	32 3/4	37
	mm	117	140	159	219	254	282	371	441	552	610	670	752	832	940

WEIGHT	lb	20	24	32	56	74	95	178	265	454	598	840	892	1140	1540
	kg	9	10	14	25	33	43	80	120	206	271	381	405	518	700

CV	62	105	150	265	440	620	1150	1700	2500	3250	4100	5000	6100	10,000
----	----	-----	-----	-----	-----	-----	------	------	------	------	------	------	------	--------

Approximate dimensions and weights. Apply for Certified Drawings.



ORDERING CODE

- CV 50-DI-B - Bronze Trim
- CV50-DI-S - Stainless Steel Trim
- Soft Seat available

TESTING

Seat Test = 1.1 x WOG PSI
Shell Test = 1.5 x WOG PSI
All Valves Individually Hydrostatically tested

Ordering Code _____
Size _____
Customer/Project _____
Inq./P.O. No. _____
Titan Order No. _____
Certified Correct By _____ Date _____



TITAN FLOW CONTROL, INC.

Silent Check Valve
CV50-DI

Series	Size	Part No.	Material Trim Code	Drawing No.
				CV50-DI

OPERATING PRESSURES/TEMPERATURES

MATERIAL	RATING	SERVICE	TEMP.	PSI
Carbon	150#	W.O.G.	100°F	285
Carbon	300#	W.O.G.	100°F	740
Stainless	150#	W.O.G.	100°F	275
Stainless	300#	W.O.G.	100°F	720

(not recommended for steam service)

METAL SEATS

Flat type seats are individually lapped to assure the best seal possible.

SOFT SEATS

BUNA-N, VITON and TEFLON O-RING seats are available. Consult factory.

SPECIAL SPRINGS

Special design springs can be furnished, which will permit the disc to lift at a predetermined differential pressure.

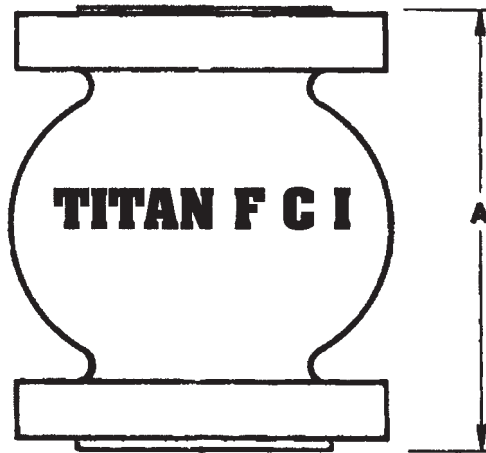
INCONEL springs are available for elevated temperatures.

“SPECIAL FEATURES”

- GUIDED DISC •

“Completely guided, both at top and bottom, makes it impossible to cock the disc regardless of the angle at which the valve is installed”.

Also, • CARBON STEEL IS EPOXY COATED •



OPERATING PRESSURES/TEMPERATURES

2" - 12"	200 psi @ 150°F
14" - 24"	150 psi @ 150°F
(not recommended for steam service)	

SERVICE APPLICATIONS

- Commercial HVAC
- Municipal Water Works
- Irrigation Systems
- Industrial Plant Systems

TESTING

All Valves are Individually, Hydrostatically Tested in accordance with ANSI test specifications.

“SPECIAL FEATURES”

- GUIDED DISC •

“Completely guided, both at top and bottom, makes it impossible to cock the disc regardless of the angle at which the valve is installed”.

and

- DUCTILE IRON at CAST IRON PRICE LEVELS •
- with
- EPOXY COATING •