

WESTLOCK K20 ELECTRO-PNEUMATIC POSITIONERS

CERTIFIED TO NEC, CEC, ATEX, IECEx STANDARDS TO MEET INTRINSICALLY SAFE AND NON-INCENDIVE OPTIONS

The K20 is a next generation electro-pneumatic positioner that delivers improved levels of reliability and modulating position control via simple auto calibration.



GENERAL APPLICATION

The K20 represents the next phase in Westlock's mission to present a more effective and economical electro-pneumatic positioner solution. Designed to complete calibration in just minutes and independently adjust the positioner, the K20 performs position measuring by an off-set, Hall Effect Sensor.

TECHNICAL SPECIFICATION

Input current	4 – 20mA (analogue)
Voltage drop	9 volts
Supply pressure	15 to 45 psi (low), 40 to 120 psi (high)
Resolution	0.5% of span
Hysteresis	0.4% of span
Repeatability	0.4% of span
Thermal Coefficient	3% / 100 °C
Output flow rates	16.2 scfm [standard] & 40 scfm (high) @ 90 psig supply
Air consumption	0.08 scfm @ 90 psi (high) 0.03 scfm @ 20 psi (low)
Gain	Adjustable
Air connection ports	¼" BSP / NPT

FEATURES

- Simple auto calibration is completed in minutes and results are displayed on LCD display, facilitating setup and commissioning.
- Limit switch options allow for more flexibility in applications.
- Includes as standard a 4 – 20mA feedback position transmitter for verification that the valve package is tracking correctly.
- Non-contact Hall Effect sensor eliminates geared mechanical potentiometer for extended product life, reduced maintenance and improved performance under vibration.
- Every unit suitable for single acting and double acting.
- Globally certified

WESTLOCK K20 ELECTRO-PNEUMATIC POSITIONERS

CERTIFIED TO NEC, CEC, ATEX, IECEX STANDARDS TO MEET INTRINSICALLY SAFE AND NON-INCENDIVE OPTIONS

TECHNICAL DATA

Agency approvals

Intrinsically Safe

ATEX and IECEX *(Engineered Resin or Stainless Steel enclosure)*
 II 1G
 Ex ia IIC T4 Ga
 Ta = -40°C to +85°C Ta = -40°C to +85°C

(Aluminum enclosure)
 II 1G
 II 2D
 Ex ia IIC T4 Ga
 Ex tb IIIC T87 Db
 Ta = -40°C to +85°C Ta = -40°C to +85°C

North America *(Stainless Steel or Resin)*
 Class I, Div. 1, Groups A, B, C & D, T4;
 Class I, Zone 0, AEx/Ex ia IIC T4 Ga;
 Type 4X, IP 65
 Class I, Div. 2, Groups A, B, C & D; T4;
 Type 4X, IP 65

(Aluminum Only)
 Class I, Div. 1, Groups A, B, C & D, T4;
 Class II, Div. 1, Groups E, F & G;
 Class III;
 Class I, Zone 0, AEx/Ex ia IIC T4 Ga;
 Class II, Zone 21, AEx/Ex tb IIIC T87 Db;
 Type 4X, IP 65

Non-Incendive
 Class I, Div. 2, Groups A, B, C & D, T4;
 Class II, Div. 2, Groups F & G;
 Class III;
 Type 4X, IP 65

Note: The switch options are approved for hazardous locations. (Mech. Switch option not for use in Division 2 North America).

MATERIAL OF CONSTRUCTION

Housing / Cover	Engineered resin, aluminum & CF8M (316) stainless steel
Manifold	Anodized aluminum or stainless steel
Conduit	M20 / M25 / 3/4" NPT
Shaft	Stainless steel
Hardware	Stainless steel

SWITCH OPTIONS



Magnum XT-90 hermetically sealed proximity switch

Hermetically-sealed proximity switches with either pure tungsten or rhodium contacts for use with low power I/O's to provide longer contact life.



SPDT mechanical switch V3

A V3 (single pole double throw) mechanical switch (Form C).



P+F NJ2-V3-N inductive proximity sensor

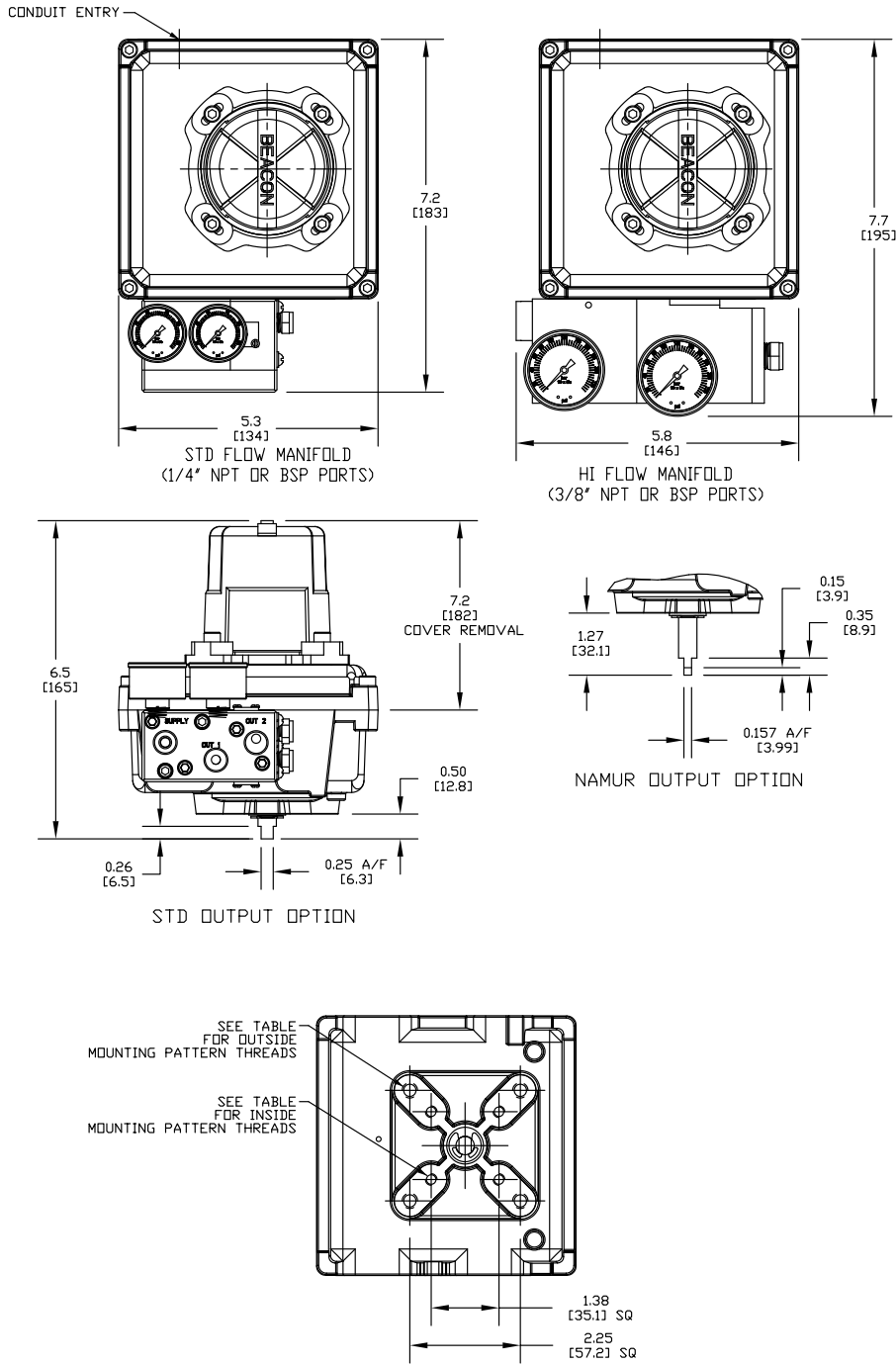
Intrinsically Safe

A solid state inductive proximity sensor which is available in NAMUR output. It is ideal for use in devices within potentially explosive atmospheres.

WESTLOCK K20 ELECTRO-PNEUMATIC POSITIONERS

CERTIFIED TO NEC, CEC, ATEX, IECEX STANDARDS TO MEET INTRINSICALLY SAFE AND NON-INCENDIVE OPTIONS

GA DRAWING



SIMPLE CALIBRATION

- Easy to use auto-calibration via button assumes Low is 4mA and High is 20mA
- Manual Low/High Calibration - with 'value' options for closed and open positions
- Full Manual Calibration accommodating:
 - o Forward Gain/Reverse Gain
 - o Drop Off
 - o Zero Adjust
 - o Span Adjust
 - o Forward or Reverse Acting
 - o Long Cal - For larger actuators to avoid timeout of calibration
 - o Split Range Applications

MOUNTING OPTIONS

CONDUIT ENTRY	OUTSIDE MOUNTING PATTERN	INSIDE MOUNTING PATTERN	HOUSING MATERIAL
3/4"-14 NPT	5/16"-18	N/A	Resin
3/4"-14 NPT	5/16"-18	M6 x 1	Metal
M25 x 1.5	M8 x 1.25	M6 x 1	All
M20 x 1.5	M8 x 1.25	M6 x 1	All

WESTLOCK K20 ELECTRO-PNEUMATIC POSITIONERS

POSITIONER SELECTION GUIDE

K Series Positioner Base Model										
K20	Electro-Pneumatic Positioner (4-20 mA Input)									
	Shaft Output									
	S	Standard (Double-D with 1/4" Flats)								
	D	Direct mount to Keystone 79U or MRP Actuators								
	N	NAMUR								
	Hazardous Area Certification									
	IS	Intrinsically Safe and Non-Incendive								
	Housing Material									
	E	Engineered Resin Enclosure (Clear Cover w/ Visible LCD)								
	S	Stainless steel CF8M (316) Enclosure								
	A	Aluminum Enclosure								
	Supply Pressure									
	H	STD flow High Pressure (40 - 120 psi)								
	L	STD flow Low Pressure (15 - 45 psi)								
	V	High Flow (40 - 120 psi, for larger actuators)								
	Manifold Material									
	0	Anodized Aluminium								
	1	Stainless Steel (required for SS enclosure)								
	Conduit Entry*									
	B	(1) M20 x 1.5 **								
	C	(1) 3/4-14 NPT *** (Recommended with switch options)								
	D	(1) M25 x 1.5 ** (Recommended with switch options)								
	Limit Switch Options									
	0	None								
	B	2 x SPDT Mechanical Switches with Gold Plated Contacts								
	I	2 x Inductive Sensors P&F Model NJ2-V3-N								
	T	2 x SPDT Magnum Proximity switches with Tungsten Contacts								
	R	2 x SPDT Magnum Proximity switches with Rhodium contacts								
	Position Transmitter Output									
	B	4-20mA Transmitter								
	Pneumatic Connections									
	N	1/4" NPT (3/8" NPT with high flow option)								
	B	1/4" BSP (3/8" BSP with high flow option)								
	F	1/4" NPT w/Aluminum Filter-Regulator Assembly (3/8" NPT with High Flow option)								
	S	1/4" NPT w/ Stainless Steel Filter-Regulator Assembly (3/8" NPT with High Flow option)								
K20	N	IS	E	H	0	C	R	B	F	= Model number K20NISEH0CRBF

Magnum Proximity Switch Application Note:

For **24 VDC service below 1 watt**, **R** (Rhodium Magnum switches) is recommended

For **24 VDC service below 1 watt**, **T** (Tungsten Magnum switches) is recommended

* Consult sales for multiple conduit offerings

** Mounting pattern (M8 x 1.25 outer pattern) (M6 x 1 inner pattern)

*** Mounting pattern (5/16-18 outer pattern) (M6 x 1 inner pattern - metal housings only)

WESTLOCK CONTROLS
280 N. Midland Avenue, Ste 258
Saddle Brook, NJ 07663
United States

Crane Co., and its subsidiaries cannot accept responsibility for possible errors in catalogues, brochures, other printed materials, and website information. Crane Co. reserves the right to alter its products without notice, including products already on order provided that such alteration can be made without changes being necessary in specifications already agreed. All trademarks in this material are the property of the Crane Co. or its subsidiaries. The Crane and Crane brands logotype (WESTLOCK CONTROLS®) are registered trademarks of Crane Co. All rights reserved.