



1040 N. Meridian Rd., P.O. Box 1556, Youngstown, Ohio 44501
 Phone: (330) 799-3333 Toll Free: 1-800-677-1799 FAX: (330) 797-3215

www.trumbull-mfg.com

ADJUSTABLE STEM GUIDES

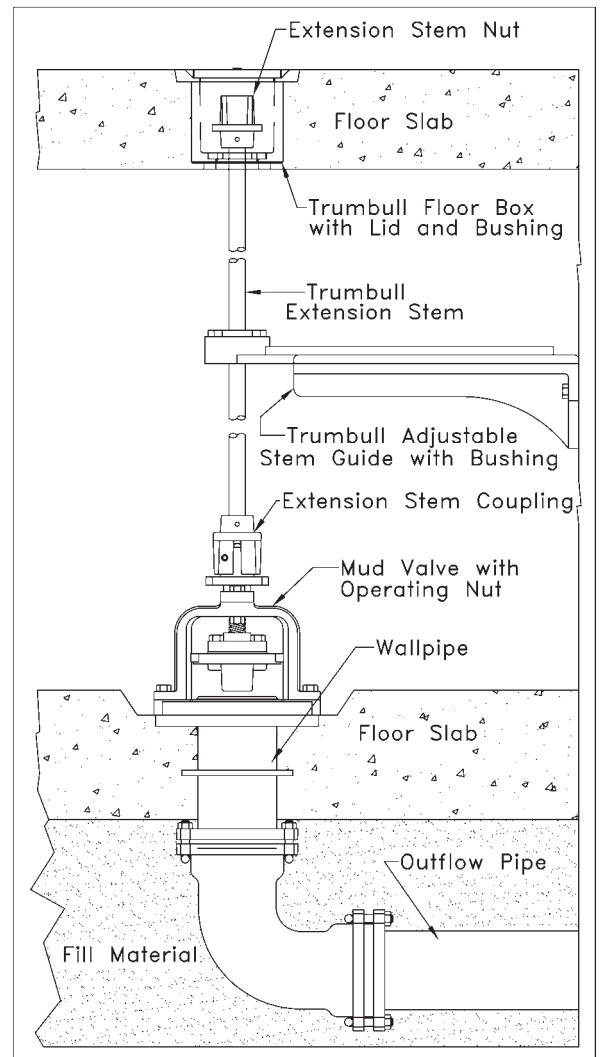
Ductile Iron or Stainless Steel

Trumbull Stem Guides are designed as wall brackets for installation in treatment plants and pump stations to provide support for valve extension stems.

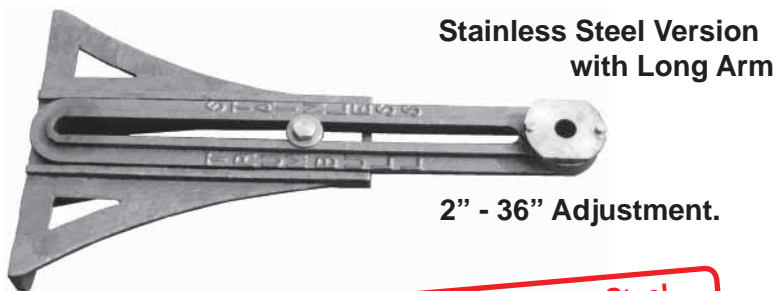
These stem guides are adjustable for stems as close to the wall as 2", or as far away as 36". They are available as follows:

Trumbull Item No.	Material	Adjustment	Weight
367-4960	Ductile Iron	2" - 26"	25#
367-4970	Ductile Iron	2" - 36"	28#
367-5960	Stainless 316	2" - 26"	28#
367-5970	Stainless 316	2" - 36"	32#

Stem guides are generally recommended at 6' to 8' intervals. Bronze bushings can be drilled up to a 2-1/8" bore dia. for 2" O.D. stems. By removing the bushing larger stems can be accommodated, up to 2-3/8" O.D. See separate literature on Stem Guides for larger diameter stems.



Typical Stem Guide installation.



Both sizes available in Type 316 Stainless Steel



Ordering Information:

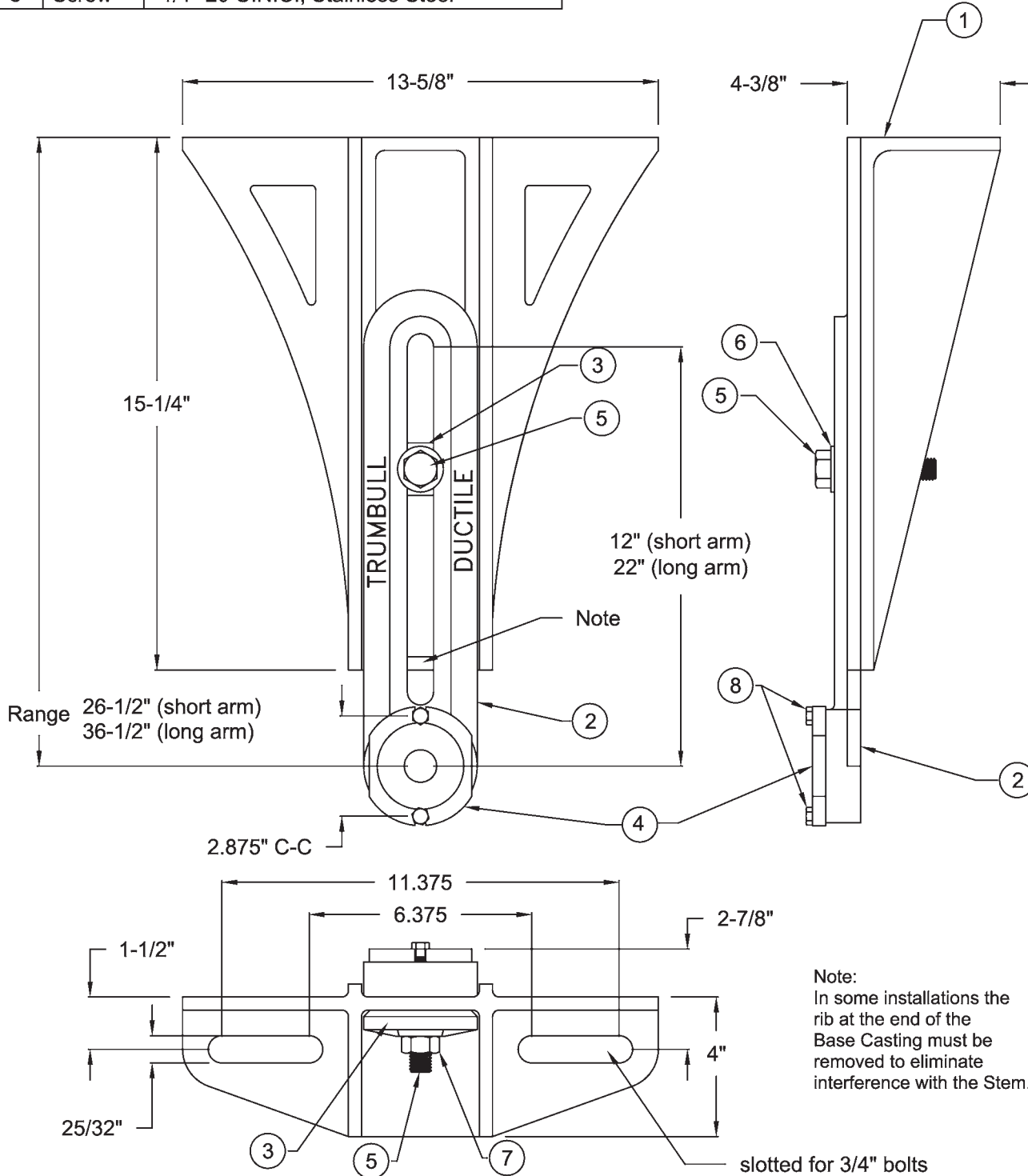
1. Quantity.
2. Trumbull item number.
3. O.D. of stem being used, or desired bushing hole size (15/16" D. supplied if not specified.)

See separate literature on Trumbull Floor Boxes, Extension Stems, Mud Valves and Stem Guides for Large Diameter Stems.

See reverse side for drawing.

Item	Part	Material
1	Base	Ductile Iron or Stainless Steel
2	Arm	Ductile Iron or Stainless Steel
3	Clamp	Ductile Iron or Stainless Steel
4	Bushing	UNS C86400 (B584) Manganese Bronze
5	Bolt	5/8" x 4", Hex Head, Stainless Steel
6	Washer	1-1/2" O.D., Stainless Steel
7	Nut	5/8", Hex, Stainless Steel
8	Screw	1/4"-20 U.N.C., Stainless Steel

Item No.	Size	Weight
Ductile Iron Guides (65-45-12)		
367-4960	2"-26"	25#
367-4970	2"-36"	28#
Stainless Steel Guides (T316)		
367-5960	2"-26"	28#
367-5970	2"-36"	32#



Drawn:	Drawing Revision:	
Date	Rev.	Date
4/4/94	I	09/01/05

TRUMBULL INDUSTRIES
P.O. Box 1556
1040 N. Meridian Rd.
Youngstown, Ohio 44501

Drawn to Scale
ADJUSTABLE STEM GUIDES