



36C SERIES

SPECIFICATIONS

GENERAL SPECIFICATIONS

The Water Pressure Reducing Valve shall be designed to reduce static and flowing pressures in water distribution systems.

The unit shall be a diaphragm/balanced piston type with integral stainless steel strainer and a built-in bypass to relieve pressure build-up downstream of the assembly. The valve shall be spring loaded to open and shall be diaphragm actuated to close under pressure conditions. The valve shall be suitable for **supply pressure up to 400 psig and water temperatures from 33° to 180°F.**

The valve's internal parts such as the cartridge assembly, strainer, diaphragm, and spring shall be accessible for inspection, repair or replacement without disconnecting the device from the pipeline. In addition, the valve shall have a clean-out feature to allow for removal of the strainer and seat disc without disturbing the pressure setting.

It shall meet the requirements of the following standards: **ASSE 1003, CSA B356; and listed with IAPMO.**

CONBRACO SPECIFICATIONS

The Water Pressure Reducing Valve shall be designed to reduce static and flowing pressures in water distribution systems.

The unit shall be a diaphragm/balanced piston type with integral stainless steel strainer and a built-in bypass to relieve pressure build-up downstream of the assembly. The valve shall be spring loaded to open and shall be diaphragm actuated to close under pressure conditions.

The valve shall have a stainless steel seat which is housed in a cartridge constructed of engineering thermoplastic to resist mineral deposits. The spring assemblies shall be housed in a cap constructed of engineering thermoplastic which acts as a dielectric barrier to corrosion.

The valve shall be suitable for **supply pressure up to 400 psig and water temperatures from 33° to 180°F.**

The valve's internal parts such as the cartridge assembly, diaphragm, and spring shall be accessible for inspection, repair or replacement without disconnecting the device from the pipeline. In addition, the valve shall have a clean-out feature to allow for removal of the strainer and seat disc without disturbing the pressure setting.

It shall meet the requirements of the following standards: **ASSE 1003, CSA B356; and listed with IAPMO.** The manufacturing facility shall be **ISO 9001 REGISTERED.** The pressure reducing valve shall be manufactured by **CONBRACO INDUSTRIES, INC.,** Pageland, South Carolina.

Water Pressure Reducing Valve Sizes 1/2", 3/4" & 1"



(36C-U Shown)



FEATURES

- Corrosion Resistant
- Replaceable Cartridge Assembly
- Integral By-Pass
- Clean-Out Feature
- 1/4" NPT Gauge Tapping Available
- 1/4" NPT 0-160 psig Pressure Gauge Available
- Designed For Easy Maintenance
- Suitable For Hot Or Cold Water Service
- Variety Of Pipe End Connections
- Maximum Working Pressure 400 psig
- Operating Temperature Range 33-180°F

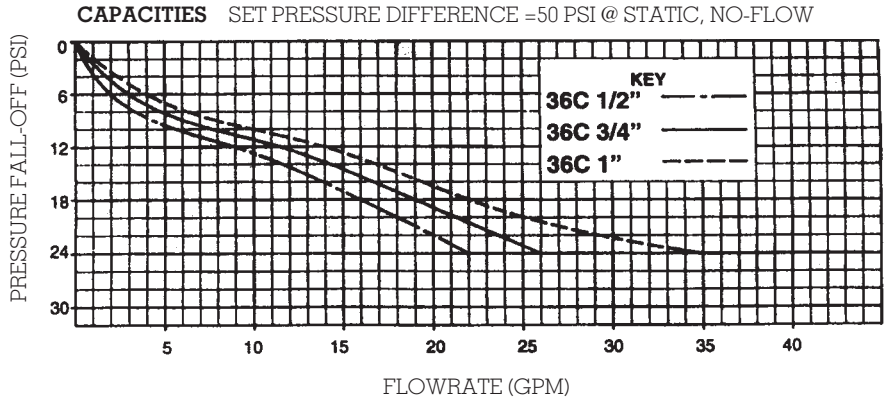
APPROVALS

The Series 36C is approved under the following standards: **ASSE 1003, CSA B356, & Listed with IAPMO.**



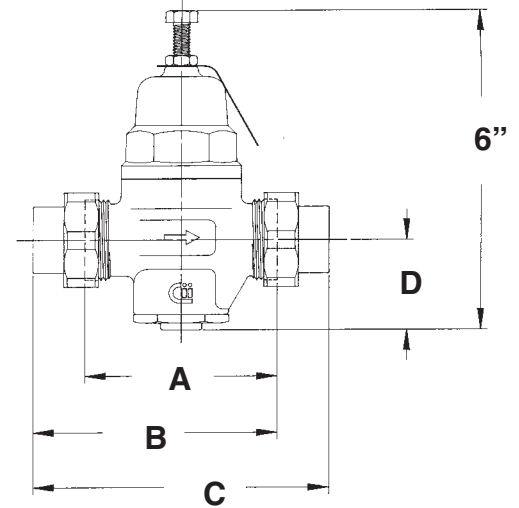
FLOW CURVES

Note: Flow curves are based on static conditions of: direct pressure = 100 psig. Outlet pressure = 50 psig. All curves are for female NPT versions only. Pressure fall-off is the pressure by which the outlet pressure drops as flow demand is needed.



DIMENSIONS

| Dimensions (inches) | Non-union (npt x npt) | | Inlet-union (npt, solder or meter x npt) | | Double-union (npt x npt or solder x solder) | |
|---------------------|-----------------------|--------|--|--------|---|--------|
| | 1/2" & 3/4" | 1" | 1/2" & 3/4" | 1" | 1/2" & 3/4" | 1" |
| Size | 1/2" & 3/4" | 1" | 1/2" & 3/4" | 1" | 1/2" & 3/4" | 1" |
| A | 3 1/2" | 3 3/4" | N/A | N/A | N/A | N/A |
| B | N/A | N/A | 4 13/32" | 4 3/4" | N/A | N/A |
| C | N/A | N/A | N/A | N/A | 5 3/8" | 5 7/8" |
| D | 1 5/8" | 1 1/2" | 1 5/8" | 1 1/2" | 1 5/8" | 1 1/2" |



MATERIALS

1. Valve Body – Cast Bronze
2. Spring Cover – Celcon
3. Seat Ring – Stainless Steel
4. Seat Disc – EPDM
5. Strainer – Stainless Steel
6. Cartridge – Noryl
7. Diaphragm – Reinforced EPDM
8. "O"rings – Nitrile
9. Adjusting Bolt & Nut – Brass

ORDERING NUMBERS

36C - X 0 X - X X - X

| END CONNECTION | SIZE (IN.) | CLEANOUT | PRESSURE RANGE | OPTIONS |
|---------------------------------------|------------|----------------------|---------------------|------------------|
| 1-Single Union NPT x NPT (U) | 3 - 1/2 | 0-Standard | 1-25-75 PSIG | S-Stainless |
| 2-NPT x NPT (Standard) | 4 - 3/4 | G-Tapped and Plugged | 2-10-35 PSIG (-LP) | Steel Trim |
| 3-Single Solder Union x NPT (-US) | 5 - 1 | 1/4 NPT (-GT) | 3-75-125 PSIG (-HP) | X-Extended Union |
| 4-Double Union NPT x NPT (-U2T) | | P-Tapped and | | |
| 5-Double Union Solder x Solder (-U2S) | | 1/4 NPT | | |
| 6-Single Union Meter x NPT (-UM) | | w/ Pressure | | |
| 7-90° Elbow Meter Union x NPT (-EMT) | | Gauge (-G) | | |
| 8-Less Unions | | | | |
| 9-Pex x Pex | | | | |

Note: Not all variations are available in each size. Check with customer service.

PLUMBING & HEATING PRODUCTS DIVISION