

Ordering Information



Example: 12 - 1WA - 171MTG - 3: 12" Wafer Style Class 150 Carbon body, Straight 17-4 Ph SS Stem, 316 SS Nitrided Disc, Inconel® Seat, TFE Pkg, Garfil Bearings, Gear Operated

1. Size	Code
2"	02
2 ½"	025
3"	03
3 ½"	035
4"	04
to	
48"	48

2. Body Class	Code
150 PSI Max. Diff. Pressure	0
ASME 150	1
ASME 300	3
ASME 600	6

3. Body Type	Code
Wafer	W
Lugged	L
Lugged DDES ²	D

4. Shaft Design	Code
Straight	A
Class ASME 150 2" - 12"	
Class ASME 150 36" - 48"	
Class ASME 300 2" - 12" & 30"	
Class ASME 600 2" - 8"	
Balanced	C
Class 150 14" - 30"	
Derated 36" - 48" (150 psig max.)	
Class 300 14" - 24"	
Class 600 10" - 16"	

5. Body Material	Code
Carbon Steel	1
316 SS	2
Aluminum Bronze MIL-B-24480	5
Aluminum Bronze B148 ASTM C958	8
2205 Duplex ASTM A890 Gr 4A	B

6. Disc Material	Code
Alum. Bronze/ENP B148 C958	0
316 SS	2
Monel®	3
Alum Bronze MIL-B-24480	5
316 SS Nitrided	7
Alum Bronze B148 ASTM C958	8
316 SS/ENP	9
2205 Duplex ASTM A890 Gr 4A	B
Monel®/ENP	M

7. Shaft Material	Code
17-4PH SS ¹ w/DHT	D
17-4PH SS ¹	1
316 SS	2
Monel® ¹	3
Inconel® 718/750	6
Ferrallium A479	7
Nitronic 50	0
ASTM B472 AL-6XN	A

8. Seat Material / O-Ring	Code
TFE / Viton® ⁴	T
RTFE / Silicone ⁵	R
RTFE / Viton® ⁴	P
Polyethylene (UHMWPE) / Viton® ⁴	L
Fire-Flow (TFE & Metal) / Viton® ⁴	F
Fire-Flow (RTFE & Metal) / Viton® ⁴	A
Fire-Flow (RTFE & Metal) / Silicone	B
Inconel®	M
Fire-Flow (TFE & Metal) / Silicone	J

9. Packing Material	Code
TFE	T
Graphite	G
Fire-Flow	F
Live-Load Packing/TFE	A
Live-Load Packing/Graphite	B
Live-Load Packing/Fire-Flow	C
EF Seal (Viton® O-Rings)/TFE	D

10. Bearing Material	Code
Garfil (Glass Backed TFE)	G
316 SS Backed TFE	H
Fire-Flow (Garfil & 316 SS)	F
Stainless Steel Nitrided	S
Bronze	B
Monel®	K

11. Actuator Type	Code
Bare Shaft	B
Worm Gear w/2" Square Nut & Hndwl	D
Ratchet Handle	H
Ratchet Handle w/Lock	L
Throttle	T
Worm Gear	3
Worm Gear (4-way keyed)	9
Pneumatic Double Acting	4
Pneumatic SR Fail Close	5
Pneumatic SR Fail Open	6
Hydraulic	7
Electric	8

12. Special Feature	Code
None	O
Bi-directional	B
Chlorine Service	C
Dead-end Service (DDES) ²	D
CE Marked (impact tested) ³	PI
CE Marked (non-impact tested) ³	PN
CE Marked (impact tested w/ vacuum service) ³	VI
CE Marked (non-impact tested w/ vacuum service) ³	VN
EF Seal (low emissions)	E
EF Seal Vacuum Service (low emissions)	EV
Silicone Free	G
Epoxy Coated Body	H
Chainwheel	J
Stem Extension	K
Lockable Gear	L
Limit Switch w/Stainless Steel Bolting	L1
Limit Switch w/Monel® Bolting	L2
Gear with Memory Stop	MS
NACE Construction ⁵	N
NACE Construction (w/CE marked impact tested) ^{3,5}	NI
NACE Construction (w/CE marked NON-impact tested) ^{3,5}	NN
Buried Service	R
Drill Through Lugs	T
Drill Through Lugs and NACE Constr.	TN
Vacuum Service	V

Only select ONE special feature code per part number.

13. Series	Code
*Factory Assigned	J

FLOWSEAL ACTUATOR OPTIONS:

Lever:

- Not recommended for Metal Seat
- High Performance Butterfly Valve

Worm Gear Operators:

Five types available:

- High temperature service
- Buried service
- Submersible service
- Marine service
- Standard aluminum handwheel

Optional:

- Chain wheel
- Output shaft extension
- Input shaft extension
- Military special operator
- AWWA special operator

Hydraulic Actuator:

- Customer specified hydraulic actuator

Pneumatic Actuators:

- Crane Revo® spring return pneumatic actuator
- Crane Revo® double acting pneumatic actuator
- Customer specified pneumatic actuator

Electric Actuators:

- Series 44000 electric actuator
- Customer specified electric actuator

Note¹ Shaft materials other than 17-4 PH or Monel® will affect working pressure ratings. Please consult factory.

Note² DDES = Double Dead End Service.

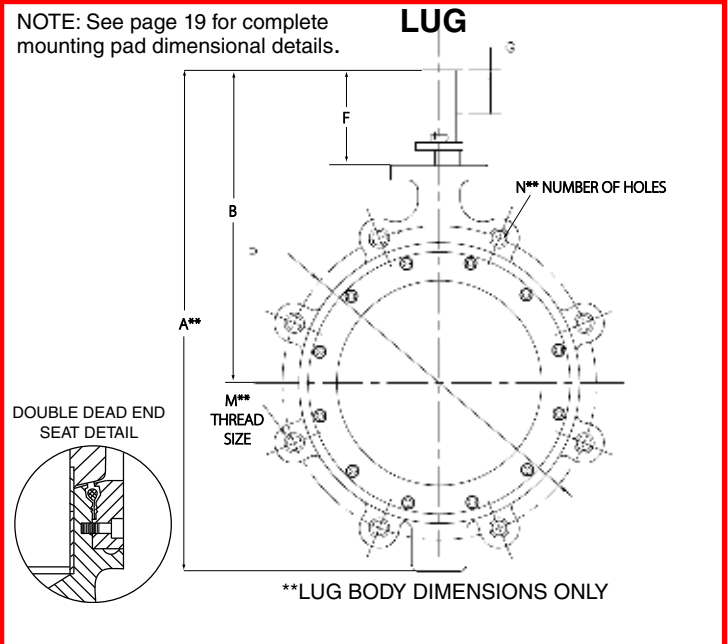
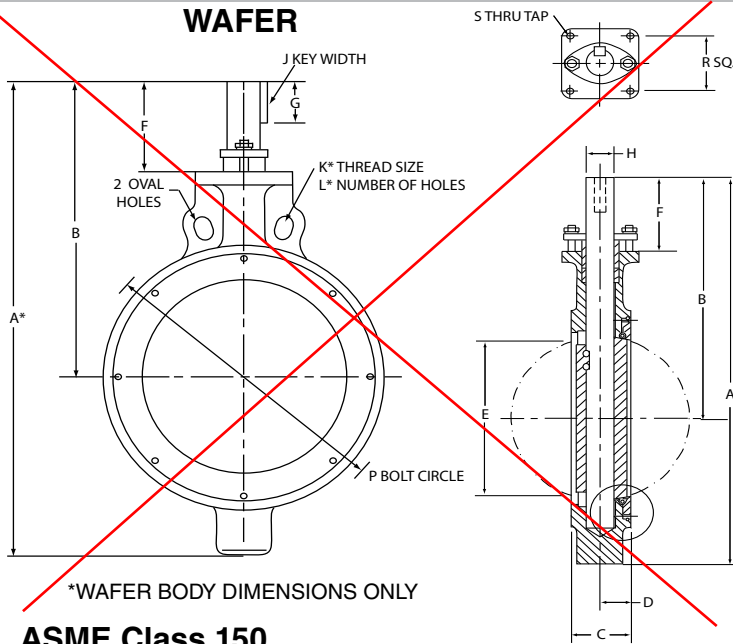
Note³ For CE marked valves, see Body Rating chart on page 18, as temp ranges can vary per material.

Note⁴ Viton® O-Ring is recommended for use in Hydrocarbon and NACE service.

Note⁵ RTFE/Silicone combination is not to be used with "NACE" valves.

Viton® is a registered trademark of DuPont Performance Elastomers L.L.C.
Hastelloy C® is a registered trademark of Haynes International, Inc.
Monel® and Inconel® is a registered trademark of Special Metals Corporation

Dimensions Soft Seat



ASME Class 150

VALVE SIZE	WAFER	LUG	B	C	D	E	F	G	H	J	K*	L*	M**	N**	P	R	S	WEIGHT (LBS.)	
	A*	A**																WAFER	LUG
2"	10.59	10.59	7.59	1.75	1.06	1.72	3.34	.88	.500	3/16	-	-	5/8-11	4	4.750	2.25	3/8-16	8	11
2.5"	10.30	10.30	7.59	1.88	1.09	2.09	3.34	.88	.500	3/16	-	-	5/8-11	4	5.500	2.25	3/8-16	8	11
3"	11.60	11.98	8.60	1.92	1.20	2.75	3.60	1.19	.625	3/16	-	-	5/8-11	4	6.000	2.25	3/8-16	11	13
3.5"	11.97	11.97	8.72	2.05	1.30	3.19	3.60	1.19	.625	3/16	-	-	5/8-11	8	7.000	2.25	3/8-16	14	17
4"	12.92	13.55	9.42	2.13	1.26	3.62	3.67	1.19	.625	3/16	-	-	5/8-11	8	7.500	2.25	3/8-16	17	25
5"	14.53	15.16	10.28	2.25	1.34	4.55	3.81	1.25	.750	1/4	-	-	3/4-10	8	8.500	2.25	3/8-16	20	30
6"	15.69	15.93	10.81	2.29	1.38	5.55	3.81	1.25	.750	1/4	-	-	3/4-10	8	9.500	2.25	3/8-16	30	35
8"	17.81	17.94	11.93	2.50	1.49	7.28	3.80	1.25	1.000	3/8	-	-	3/4-10	8	11.750	2.25	3/8-16	44	48
10"	19.85	20.85	12.97	2.81	1.70	9.20	4.09	1.50	1.250	3/8	-	2	7/8-9	12	14.250	3.25	3/8-16	71	91
12"	24.96	24.96	15.46	3.23	1.86	11.15	4.83	2.25	1.500	3/8	-	2	7/8-9	12	17.000	3.25	3/8-16	110	127
14"	27.14	27.14	16.07	3.62	2.19	12.76	4.82	2.25	1.500	3/8	-	4	1-8	12	18.750	3.25	3/8-16	135	183
16"	31.66	31.66	19.61	4.00	2.31	14.58	6.92	2.50	1.750	1/2	-	4	1-8	16	21.250	4.25	1/2-13	182	250
18"	34.53	34.53	21.35	4.50	2.45	16.38	7.35	3.25	2.000	1/2	-	4	1-1/8-8	16	22.750	4.25	1/2-13	234	305
20"	36.70	36.70	22.76	5.00	2.94	18.38	7.63	3.00	2.250	3/4	1-1/8-8	4	1-1/8-8	20	25.000	5.00	3/4-10	320	414
24"	41.57	41.57	25.13	6.06	3.12	21.88	7.88	3.25	2.500	3/4	1-1/4-8	4	1-1/4-8	20	29.500	5.00	3/4-10	505	702
30"	52.08	52.08	29.35	6.75	3.53	28.00	8.73	4.50	3.000	3/4	1-1/4-8	4	1-1/4-8	28	36.000	5.00	3/4-10	925	1130
36"	64.75	64.75	32.64	8.38	4.34	33.66	8.14	3.50	3.750	1	1-1/2-8	4	1-1/2-8	32	42.750	7.00	1-8	1630	1890
42"	73.24	73.24	37.62	9.25	5.03	40.31	9.62	5.00	4.500	1	1-1/2-8	4	1-1/2-8	36	49.500	7.00	1-8	2475	2700
48"	80.13	80.13	41.88	10.62	5.62	45.25	10.63	6.00	5.000	1-1/4	1-1/2-8	4	1-1/2-8	44	56.000	9.00	1-8	2815	3085

Dimensions Soft Seat

ASME Class 300

VALVE SIZE	WAFER		LUG		B	C	D	E	F	G	H	J	K*	L*	M**	N**	P	R	S	WEIGHT (LBS.)	
	A*	A**	WAFER	LUG																	
2"	10.59	10.59	7.59	1.75	1.06	1.72	3.34	.88	.500	3/16	-	-	5/8-11	8	5.000	2.25	38-16	8	11		
2.5"	10.30	10.30	7.59	1.88	1.09	2.09	3.34	.88	.500	3/16	-	-	3/4-10	8	5.880	2.25	38-16	8	11		
3"	11.60	11.98	8.60	1.92	1.20	2.75	3.60	1.19	.625	3/16	-	-	3/4-10	8	6.625	2.25	38-16	12	17		
3.5"	11.97	11.97	8.72	2.05	1.30	3.19	3.60	1.19	.625	3/16	-	-	3/4-10	8	7.250	2.25	3/8-16	14	19		
4"	12.92	13.54	9.42	2.13	1.25	3.62	3.67	1.19	.625	3/16	-	-	3/4-10	8	7.875	2.25	38-16	17	24		
5"	14.53	15.16	10.28	2.25	1.34	4.55	3.81	1.25	.750	1/4	-	-	3/4-10	8	9.250	2.25	38-16	20	30		
6"	15.93	16.31	10.81	2.29	1.38	5.55	3.81	1.25	1.000	3/8	-	-	3/4-10	12	10.625	2.25	38-16	30	49		
8"	18.10	19.50	12.22	2.88	1.54	7.06	4.08	1.50	1.250	3/8	-	-	7/8-9	12	13.000	3.25	38-16	52	80		
10"	21.60	22.10	14.22	3.25	1.70	9.00	4.84	2.25	1.500	3/8	1-8	2	1-8	16	15.250	3.25	38-16	88	115		
12"	28.40	28.40	17.90	3.62	1.86	10.72	6.90	2.50	1.750	1/2	1-1/8-8	4	1-1/8-8	16	17.750	4.25	1/2-13	153	199		
14"	34.31	34.31	19.74	4.62	2.48	12.08	7.36	3.25	2.000	1/2	1-1/8-8	4	1-1/8-8	20	20.250	4.25	1/2-13	285	324		
16"	38.14	38.14	21.82	5.25	2.59	13.72	7.82	3.00	2.250	3/4	1-1/4-8	4	1-1/4-8	20	22.500	5.00	3/4-10	336	401		
18"	40.26	40.26	23.00	5.88	3.03	15.56	7.87	3.25	2.500	3/4	1-1/4-8	4	1-1/4-8	24	24.750	5.00	3/4-10	393	517		
20"	43.62	43.62	25.13	6.31	3.24	17.22	8.74	4.50	3.000	3/4	1-1/4-8	4	1-1/4-8	24	27.000	5.00	3/4-10	510	735		
24"	49.94	49.94	28.27	7.19	3.62	20.61	8.89	4.00	3.500	1	1-1/2-8	4	1-1/2-8	24	32.000	7.00	1-8	733	1020		
30"	62.40	62.40	31.90	8.88	4.39	27.25	9.02	5.00	4.500	1	1-3/4-8	4	1-3/4-8	28	39.250	7.00	1-8	1745	2145		

ASME Class 600

VALVE SIZE	WAFER		LUG		B	C	D	E	F	G	H	J	K*	L*	M**	N**	P	R	S	WEIGHT (LBS.)	
	A*	A**	WAFER	LUG																	
2"	10.59	10.59	7.59	1.75	1.06	1.72	3.34	-	.500	-	-	-	5/8-11	8	5.000	2.25	38-16	11	13		
3"	11.60	12.10	8.60	2.12	1.20	2.50	3.60	1.19	.625	3/16	-	-	3/4-10	8	6.625	2.25	38-16	13	18		
4"	14.43	14.93	9.81	2.50	1.40	3.43	3.81	1.25	.750	1/4	-	-	7/8-9	8	8.500	2.25	38-16	30	52		
6"	17.27	18.46	11.71	3.06	1.68	5.18	4.09	1.50	1.250	3/8	1-8	2	1-8	12	11.500	3.25	38-16	42	85		
8"	21.35	22.00	13.97	4.00	1.85	6.28	4.84	2.25	1.500	3/8	1-1/8-8	-	1-1/8-8	12	13.750	3.25	38-16	72	127		
10"	31.15	31.15	17.90	4.62	2.00	7.95	6.90	2.50	1.750	1/2	1-1/4-8	4	1-1/4-8	16	17.000	4.25	1/2-13	170	233		
12"	34.80	34.80	20.13	5.50	2.53	9.68	7.50	3.00	2.250	3/4	1-1/4-8	4	1-1/4-8	20	19.250	5.00	3/4-10	245	379		
14"	39.21	39.21	22.41	6.13	3.14	10.97	7.88	3.50	2.50	3/4	1-3/8-8	4	1-3/8-8	20	20.75	5.00	3/4-10	400	600		
16"	-	44.25	25.38	7.00	3.50	12.60	9.38	5.00	3.000	3/4	-	-	1-1/2-8	20	23.750	5.00	3/4-10	-	1170		

NOTES:

1. General

- Standard valves tested to MSS SP-61. API 598 testing available on request.
- Dimensions shown are for reference only. Certified drawings available on application.

2. For 2" through 24" sizes:

- Face-to-face dimensions (C) meet, within specified tolerance, MSS SP-68 and API 609 requirements.
- Valves are designed for installation between ASME B16.5 flanges.

3. For 30" through 48" sizes:

- Valves are designed for installation between ASME B16.47 Class A flanges. (Class B on request)



Pressure/Temperature Ratings **Soft Seat**

As temperature increases, the pressure retaining capability of materials decreases. The graph below illustrates the pressure/temperature ratings of the Flowseal ASME Class 150, Class 300, and Class 600.

The heavy lines define the ratings of the carbon steel and stainless steel valve body (or "shell") in conformance to ASME B16.34. The shaded areas define the ratings of the TFE and RTFE Seat materials.

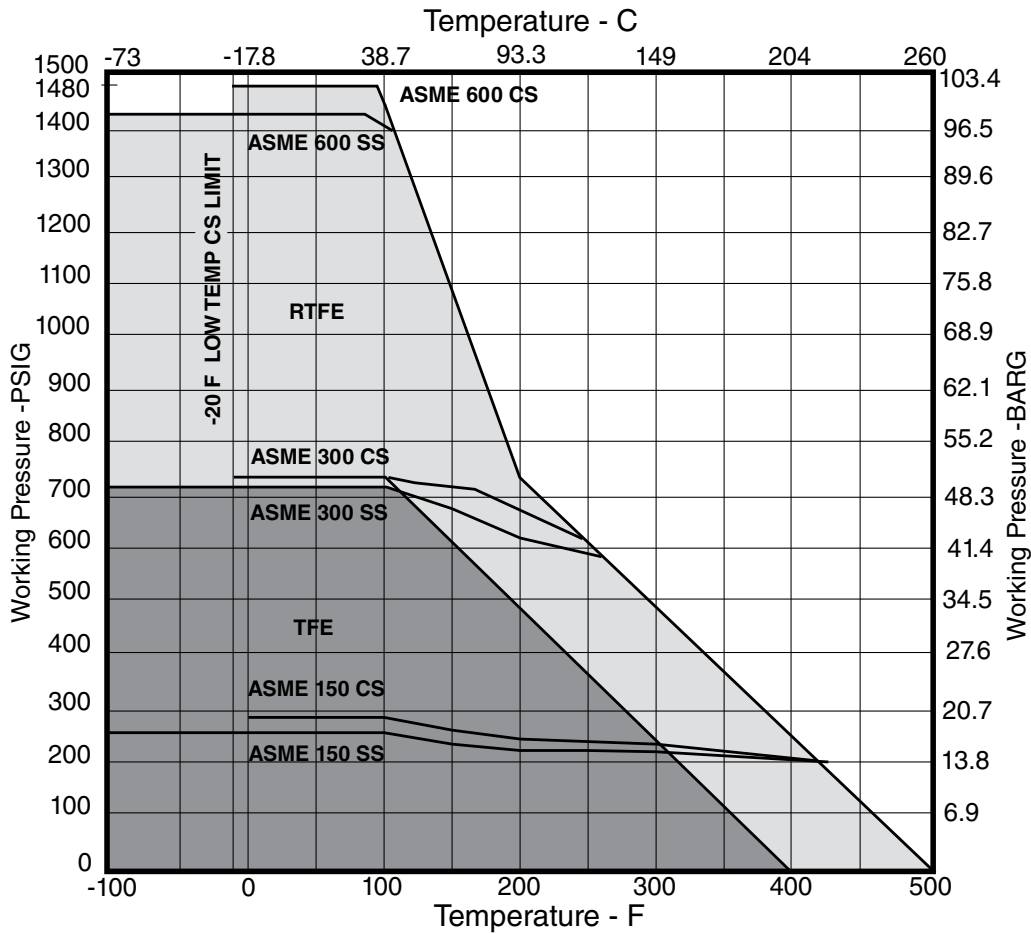
Seat ratings are based on differential pressure with the disc in the fully closed position.*

Steam Service

TFE seated valves are rated for 50 psi saturated steam.

Valves with "O" seat configuration (RTFE seat / AFLAS O-ring) are rated to 100 psi steam service.

ASME B16.34 Body and Flowseal Soft Seat Pressure - Temperature Ratings



*Shaft materials other than 17-4 PH or Monel® will affect working pressure ratings. Please consult factory.



Valve Flow Coefficients

C_v (Coefficient of Volume) is the number of U.S. gallons per minute of water required to pass through a valve with a pressure drop of 1 psi. The chart below records this C_v factor for the Flowseal valve classes and sizes at ten degree increments between open and closed. The values shown are for the valve installed in the seat upstream ("SUS") position.

Degree Open % Full C_v	10° 1.5%	20° 6%	30° 14%	40° 25.2%	50° 38%	60° 55%	70° 75%	80° 97%	90° 100%	
2"	150	1.5	6	14	25	39	56	76	99	102
	300	1.4	6	13	24	36	52	71	95	100
	600	1.4	5	13	23	35	51	70	90	93
2-1/2"	150	2.2	9	21	37	56	80	110	142	146
	300	2.1	8	19	34	52	75	102	136	143
	600	-	-	-	-	-	-	-	-	-
3"	150	3.4	14	32	57	87	125	171	221	228
	300	3.2	13	30	53	81	117	159	212	223
	600	3.1	12	29	52	79	114	156	202	208
3-1/2"	150	5.3	21	49	88	132	192	261	338	349
	300	4.8	19	45	80	121	176	240	320	336
4"	150	6.8	27	63	114	171	248	338	437	451
	300	6.2	25	58	104	157	228	310	414	435
	600	5.8	23	54	98	147	213	290	375	387
5"	150	10.8	43	100	180	271	392	535	692	714
	300	9.8	40	92	165	248	361	491	655	688
6"	150	16.5	66	154	278	419	607	827	1070	1103
	300	14.9	60	139	250	377	546	744	992	1041
	600	14.7	59	137	247	372	538	734	950	979
8"	150	30.9	124	289	520	784	1135	1584	2002	2064
	300	27.3	109	255	459	692	1001	1365	1820	1911
	600	26.8	107	250	451	679	983	1341	1734	1788
10"	150	52.8	211	492	886	1336	1934	2638	3411	3517
	300	45.6	183	426	767	1156	1673	2282	3042	3194
	600	41.2	165	384	692	1044	1511	2060	2665	2747
12"	150	72.6	290	677	1219	1838	2660	3628	4690	4837
	300	63.3	253	590	1063	1602	2319	3163	4217	4428
	600	58.4	233	545	981	1479	2140	2918	3774	3891
14"	150	90	392	914	1646	2481	3592	4898	6530	6857
	300	81	326	760	1368	2063	2986	4072	5430	5702
	600	73	292	682	1228	1838	2680	3655	4727	4873
16"	150	132	531	1230	2229	3361	4865	6634	8845	9287
	300	109	435	1015	1827	2755	3988	5438	7850	8243
	600	96	385	899	1619	2423	3533	4818	6231	6424
18"	150	171	684	1596	3873	4332	6270	8550	11270	11400
	300	139	555	1295	2331	3515	5088	6938	9250	9712
20"	150	207	828	1932	3478	5244	7590	10350	13800	14420
	300	158	630	1470	2646	3990	5775	7875	10150	10658
24"	150	315	1260	2940	5292	7890	11550	15750	21000	22050
	300	242	966	2254	4057	6118	8855	12075	16100	16205
30"	150	491	1965	4585	8253	12445	18012	24563	32750	34388
	300	404	1614	3766	6779	10222	14795	20175	26900	28245
36"	150	707	2830	6602	11884	17920	25938	35370	45745	47160
42"	150	963	3851	8987	16176	24392	35304	48143	62264	64190
48"	150	1258	5030	11738	21128	31859	46111	62881	81324	83840

C_f FACTORS

The critical flow factor, C_f , expresses the valve pressure recovery ratio. It is equivalent to F_L in ISA nomenclature.

Disc degree opening	15°	20°	25°	30°	35°	40°	45°	50°	55°	60°	65°	70°	75°	80°	85°	90°
Seat upstream	.95	.91	.84	.81	.78	.80	.77	.74	.74	.73	.70	.66	.63	.60	.57	.53
Seat downstream	.94	.89	.84	.82	.80	.77	.75	.72	.69	.66	.63	.60	.58	.55	.54	.53



Valve Torque Tables Engineering Data

ASME Class 300

I. SEATING and UNSEATING TORQUE VALUES

(All Torques are in Inch Pounds)

VALVE SIZE	SOFT SEAT											
	SEAT UPSTREAM (SUS)						SEAT DOWNSTREAM (SDS)					
	0-150 psig	285 psig	400 psig	500 psig	600 psig	700 psig	0-150 psig	285 psig	400 psig	500 psig	600 psig	700 psig
3"	220	300	440	520	595	700	220	350	520	600	675	700
4"	250	520	610	670	790	970	460	675	850	1000	1150	1300
6"	600	750	940	1120	1330	1630	950	1450	1750	2100	2300	2750
8"	1000	1800	1950	2440	2810	3390	1800	2850	3400	4000	4500	5250
10"	1800	2790	3840	4640	5370	6510	2900	5000	5700	6700	7600	8750
12"	2790	4000	6140	7480	8590	11390	4600	7000	8000	9500	11000	12850
14"	4130	6640	8630	10200	12100	14940	8200	11500	14500	17000	18000	22000
16"	6140	10200	14000	17070	19640	24440	14000	17000	23500	26500	30000	35100
18"	7600	13220	17100	20400	23990	29460	17500	24000	30000	34000	38000	44500
20"	11140	18860	25010	31530	36310	42990	23500	32000	40000	44500	51500	59400
24"	20370	35870	48260	58820	71330	85080	38000	52000	61500	70000	79500	90000
30"	35920	63260	88430	109620	125290	156780	80000	110000	135000	155000	182000	200000

VALVE SIZE	FIRE-FLOW SEAT											
	SEAT UPSTREAM (SUS)						SEAT DOWNSTREAM (SDS)					
	0-150 psig	285 psig	400 psig	500 psig	600 psig	700 psig	0-150 psig	285 psig	400 psig	500 psig	600 psig	700 psig
3"	550	620	700	750	800	910	688	806	910	975	1040	1183
4"	800	880	1040	1230	1420	1510	1000	1144	1352	1599	1846	1963
6"	1750	2000	2180	2350	2550	3000	2975	3400	3700	4000	4335	5100
8"	2700	3300	3900	4700	5100	5800	4590	5610	6630	8000	8670	9860
10"	4700	5600	6600	7400	8600	9300	7990	9520	11220	12600	14620	15810
12"	6700	8300	10800	12000	14160	17420	11390	14110	18360	20400	24070	29615
14"	9100	11300	13110	17280	20500	25320	14570	19210	22290	29380	34850	43040
16"	11900	16400	22580	27530	31670	39420	20230	27880	38390	46800	53840	67000
18"	17300	22100	28500	34000	40000	49100	29410	37570	48450	57800	68000	83470
20"	23700	34300	45470	57320	66820	78160	40290	58310	77300	97450	112230	132870
24"	36700	59800	80430	98030	118800	141800	55050	83720	112600	137250	166300	198500
30"	61200	89800	126320	156600	179000	224000	91800	125720	176850	219250	250600	313600

VALVE SIZE	METAL SEAT											
	SEAT UPSTREAM (SUS)						SEAT DOWNSTREAM (SDS)					
	0-150 psig	285 psig	400 psig	500 psig	600 psig	700 psig	0-150 psig	285 psig	400 psig	500 psig	600 psig	700 psig
3"	900	1250	1400	1550								
4"	1200	1550	1700	1850								
6"	2800	3400	4300	5700								
8"	4100	5300	6600	8100								
10"	6800	9200	11300	14500								
12"	9100	13500	17400	23600	CONSULT FACTORY			CONSULT FACTORY				
14"	12100	17900	22600	29800								
16"	19100	26700	31400	38800								
18"	28700	37300	46400	53200								
20"	39200	53400	65100	81000								
24"	67000	83200	97600	109200								
30"	112000	131000	164000	193000								

Torques shown are for on/off applications and include sizing margins appropriate to normal liquid and gas applications. For severe services, or unusual fluids or slurries, consult factory.

II. HYDRODYNAMIC TORQUE VALUES

The chart below provides a C_t (Torque Coefficient) factor to aid in actuator sizing. The C_t factors are based on water at ambient temperature, and do not take in to account other factors such as: cavitation, flashing, noise, vibration, etc. These considerations should be addressed prior to hydrodynamic torque sizing.

The equation for hydrodynamic torque is:

$$T_d = C_t \times \Delta P$$

ΔP = Pressure Drop in PSIG
 C_t = Torque Coefficient Factor
 T_d = Dynamic Torque in Inch Pounds

VALVE SIZE	Disc Position in Degrees Open								
	10°	20°	30°	40°	50°	60°	70°	80°	90°
	Ct = TORQUE COEFFICIENT FACTORS								
3"	0.94	1.23	2.00	3.13	4.76	7.14	10.64	12.99	12.66
4"	1.75	2.22	3.57	5.56	8.33	12.05	18.52	22.73	23.26
6"	3.70	5.88	10.42	17.54	30.30	52.63	78.74	76.92	83.33
8"	9.09	13.70	22.22	38.46	66.67	109.89	185.44	169.49	163.93
10"	15.15	23.26	38.46	66.67	112.36	185.19	303.03	263.16	270.27
12"	23.81	38.46	71.43	117.65	232.56	333.33	454.55	434.78	444.44
14"	33.33	50.00	83.33	144.93	238.10	400.00	625.00	588.24	666.67
16"	62.50	100.00	163.93	277.78	500.00	769.23	1162.79	1098.90	1176.47
18"	66.67	102.04	175.44	285.71	454.78	769.23	1204.82	1190.48	1234.57
20"	102.04	163.93	277.78	476.19	909.09	1315.79	1923.08	1785.71	2040.82
24"	158.73	250.00	454.55	769.23	1369.86	2083.33	3125.00	2777.78	2941.18
30"	357.14	500.00	1010.10	1694.92	3125.00	4545.45	6250.00	5882.35	6060.61



Body & Components Pressure/Temperature Ratings

BODY RATING

The charts below reflect the pressure/temperature ratings for carbon steel and stainless steel valves, in accordance with ASME B16.34. The hydrostatic shell test is performed on the body at 150% of the cold working pressure (C.W.P. is defined as the pressure rating between -20 to 100°F [-28°C to 37°C]) and the hydrostatic seat test is performed on the disc and seat at 110% of the cold working pressure.

°F	Maximum Non-Shock Working Pressure-PSI								
	Carbon Steel ⁽¹⁾			Carbon Steel ⁽²⁾			316SS		
ASME Class	150	300	600	150	300	600	150	300	600
HYDROSTATIC SHELL TEST	450	1125	2225	450	1125	2225	425	1100	2175
HYDROSTATIC SEAT TEST	315	815	1630	315	815	1630	305	800	1585
-20 - 32	285	740	1480	-	-	-	275	720	1440
32-100	285	740	1480	285	740	1480	275	720	1440
200	260	675	1350	260	675	1350	240	620	1240
300	230	655	1315	230	655	1315	215	560	1120
400	200	635	1270	200	635	1270	195	515	1030
500	170	600	1200	170	600	1200	170	480	955
600	140	550	1095	140	550	1095	140	450	905
650	125	535	1075	125	535	1075	125	445	890
700	110	535	1065	110	535	1065	110	430	865
750	95	505	1010	95	505	1010	95	425	845
800	80	410	825	80	410	825	80	415	830
850							65	405	810
900							50	395	790
1000							20	365	725

°C	Maximum Non-Shock Working Pressure-Bars								
	Carbon Steel ⁽¹⁾			Carbon Steel ⁽²⁾			316SS		
ASME Class	150	300	600	150	300	600	150	300	600
HYDROSTATIC SHELL TEST	30	77	153	30	77	153	29	75	150
HYDROSTATIC SEAT TEST	22	56.9	112.4	22	56.9	112.4	20.9	54.6	109.3
-29 to 0	19.6	51.1	102.1	-	-	-	19.0	49.6	99.3
0 to 38	19.6	51.1	102.1	19.6	51.1	102.1	19.0	49.6	99.3
50	19.2	50.1	100.2	19.2	50.1	100.2	18.4	48.1	96.3
100	17.7	46.4	92.8	17.7	46.4	92.8	16.2	42.2	84.4
150	15.8	45.2	90.5	15.8	45.2	90.5	14.8	38.5	77.0
200	14.0	43.8	87.6	14.0	43.8	87.6	13.7	35.7	71.3
250	12.1	41.7	83.4	12.1	41.7	83.4	12.1	33.4	66.8
300	10.2	38.7	77.5	10.2	38.7	77.5	10.2	31.6	63.3
350	8.4	37.0	73.9	8.4	37.0	73.9	8.4	30.4	60.8
400	6.5	34.5	69.0	6.5	34.5	69.0	6.5	29.1	58.2
425	5.6	28.8	57.5	5.6	28.8	57.5	5.6	28.7	57.3
450							4.7	28.1	56.2
500							2.8	26.8	53.7
525							1.9	25.8	51.6

⁽¹⁾ CE impact tested materials and standard non-impact tested materials.
⁽²⁾ CE non-impact tested materials.

⁽¹⁾ CE impact tested materials and standard non-impact tested materials.
⁽²⁾ CE non-impact tested materials.

COMPONENTS RATING

The chart at right reflects the maximum temperature ratings for individual components of the Flowseal HPBV.

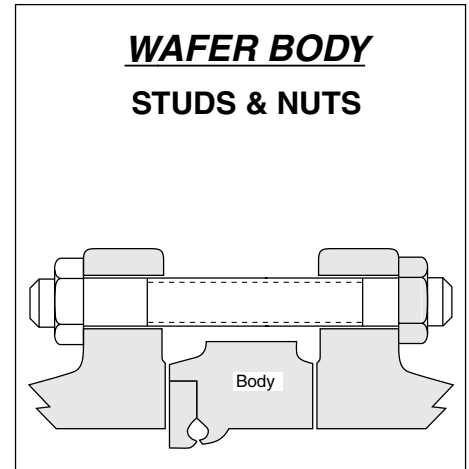
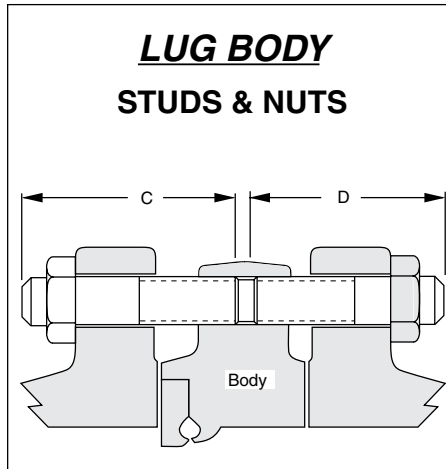
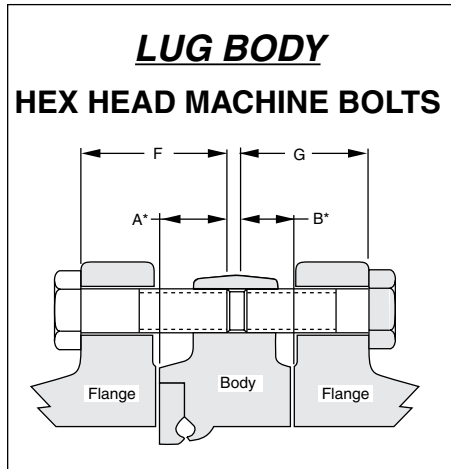
Special care should be taken when specifying component materials for valves at elevated temperatures, especially metal seat valves.

Consult factory if additional information is required regarding the suitability of components for specific pressure/temperature applications.

Description & Material	Temperature	
	°F	°C
Seat Seal (Soft Seated)		
TFE	-100 to 400	-73 to 204
RTFE	-100 to 500	-73 to 260
UHMWPE	-100 to 200	-73 to 93
Seat Seal (Fire-Flow)		
TFE/Inconel®	-100 to 400	-73 to 204
RTFE/Inconel®	-100 to 500	-73 to 260
Seat Seal (Metal Seats)		
Inconel® 718	-100 to 1150	-73 to 621
316 Stainless Steel	-100 to 1000	-73 to 538
Seat O-Ring		
Silicone (Standard with RTFE)	-100 to 500	-73 to 260
Viton® (Standard with TFE)	-50 to 400	-46 to 204
Stem Packing		
TFE	-100 to 500	-73 to 260
Graphite	-100 to 1150	-73 to 621
Shaft		
17-4PH H1150	-100 to 800	-73 to 427
17-4PH H1150M	-100 to 800	-73 to 427
316 Stainless Steel	-100 to 1150	-73 to 621
K-Monel® 500	-100 to 1150	-73 to 621
Inconel® 718	-100 to 1150	-73 to 621
Bearings		
TFE/Fiberglass Composite	-100 to 500	-73 to 260
RTFE/316 Stainless Steel	-100 to 500	-73 to 260
Bronze	-100 to 750	-73 to 339
Steel	-100 to 1150	-73 to 621
316 Stainless Steel	-100 to 1000	-73 to 538
Disc Treatment		
Electroless Nickel Plating	-100 to 750	-73 to 399
Stellite	-100 to 1150	-73 to 621
Malcomizing	-100 to 900	-73 to 482

Installation Instructions Engineering Data

BOLTING DIMENSIONS



ASME Class 150 2" – 24" MSS SP-44 Class 150 30" – 48"																
			LUG VALVES												WAFER VALVES	
			BOLT ENGAGEMENT IN VALVE*				STUDS & NUTS				MACHINE BOLTS				STUDS & NUTS	
VALVE SIZE	VALVE SERIES	THREAD SIZE	QTY	LG	QTY	LG	QTY	LG	QTY	LG	QTY	LG	QTY	LG	QTY	LG
			A	A	B	B	C	C	D	D	F	F	G	G	E	E
2"	J	5/8-11	4	.940	4	.570	4	2.50	4	2.12	4	1.75	4	1.50	4	5.00
2 1/2"	J	5/8-11	4	.960	4	.680	4	2.62	4	2.38	4	2.00	4	1.62	4	5.25
3"	J	5/8-11	4	1.139	4	.725	4	3.00	4	3.00	4	1.88	4	1.62	4	6.00
4"	J	5/8-11	8	1.071	8	.745	8	3.00	8	3.00	8	2.00	8	1.62	8	6.00
5"	J	3/4-10	8	1.220	8	.790	8	3.12	8	2.62	8	2.25	8	1.75	8	6.00
6"	J	3/4-10	8	1.401	8	.839	8	3.50	8	2.75	8	2.38	8	1.75	8	6.50
8"	J	3/4-10	8	1.492	8	.948	8	3.75	8	3.00	8	2.50	8	2.00	8	6.50
10"	J	7/8-9	12	1.752	12	1.000	12	4.50	12	3.25	12	2.62	12	2.38	12	7.50
12"	J	7/8-9	12	2.147	12	1.025	12	4.50	12	3.25	12	3.38	12	2.25	12	8.00
14"	J	1-8	12	2.330	12	1.210	12	5.00	12	3.75	12	3.62	12	2.62	12	9.00
16"	J	1-8	16	2.648	16	1.270	16	5.25	16	4.00	16	4.00	16	2.62	16	10.00
18"	J	1 1/8-8	16	2.723	16	1.645	16	5.50	16	4.50	16	4.25	16	3.12	16	10.50
20"	J	1 1/8-8	16	3.396	20	1.434	16	6.25	20	4.50	16	5.12	20	3.19	16	11.00
	J	1 1/8-8	4**	2.325	-	-	4**	5.25	-	-	4**	4.06	-	-	8**	5.25
24"	J	1 1/4-8	20	3.690	20	2.250	20	6.75	20	5.25	20	5.50	20	4.12	20	12.50
30"	H	1 1/4-8	24	3.471	24	3.159	24	7.75	24	7.50	24	6.47	24	6.15	24	15.25
	H	1 1/4-8	4**	1.908	4**	1.592	4**	6.00	4**	5.75	4**	4.91	4**	4.59	8**	6.00
36"	H	1 1/2-8	28	3.760	28	3.740	28	9.00	28	9.00	28	7.19	28	7.19	28	18.25
	H	1 1/2-8	4**	1.760	4**	1.740	4**	6.75	4**	6.75	4**	5.25	4**	5.25	8**	6.75
42"	H	1 1/2-8	32	4.160	32	4.090	32	9.75	32	9.50	32	6.62	32	4.25	32	19.25
	H	1 1/2-8	4**	1.782	4**	1.718	4**	7.25	4**	7.25	4**	4.25	4**	4.25	8**	7.25
48"	H	1 1/2-8	40	5.520	40	4.850	40	11.75	40	11.00	40	9.83	40	9.16	40	21.00
	H	1 1/2-8	4**	2.815	4**	2.190	4**	7.75	4**	7.75	4**	7.12	4**	6.50	8**	7.75

Length of machine bolts based on:

1. Gasket thickness of 0.06 inches.
2. Minimum flange thickness of weld neck flanges per ASME B16.5.

Every effort is made to provide accurate information, but no liability for claims arising from erroneous data will be accepted by Flowseal.



Installation Instructions Engineering Data

BOLTING DIMENSIONS

ASME Class 300 2" – 24"																
MSS SP-44 Class 300 30"																
			LUG VALVES												WAFER VALVES	
VALVE SIZE	VALVE SERIES	THREAD SIZE	BOLT ENGAGEMENT IN VALVE*				STUDS & NUTS				MACHINE BOLTS				STUDS & NUTS	
			QTY	LENGTH	QTY	LENGTH	QTY	LENGTH	QTY	LENGTH	QTY	LENGTH	QTY	LENGTH	QTY	LENGTH
			A	A	B	B	C	C	D	D	F	F	G	G	E	E
2"	J	5/8-11	8	.940	8	.570	8	2.25	8	2.62	8	1.50	8	2.00	8	5.25
2 1/2"	J	5/8-11	8	.970	8	.670	8	2.75	8	3.00	8	1.75	8	2.00	8	5.75
3"	J	3/4-10	8	1.034	8	.826	8	3.00	8	3.00	8	2.12	8	.75	8	6.00
4"	J	3/4-10	8	1.196	8	.870	8	3.50	8	3.25	8	2.50	8	2.00	8	6.50
5"	J	3/4-10	8	1.220	8	.790	8	5.25	8	3.62	8	2.25	8	2.75	8	7.00
6"	J	3/4-10	12	1.301	12	.929	12	3.75	12	3.50	12	2.75	12	2.25	12	7.00
8"	J	7/8-9	12	1.702	12	1.128	12	4.50	12	4.00	12	3.25	12	2.75	12	8.25
10"	J	1-8	16	1.867	16	1.300	16	5.00	16	4.50	16	3.25	16	3.12	14	9.25
	J	1-8	-	-	-	-	-	-	-	-	-	-	-	-	4**	5.00
12"	J	1 1/8-8	16	2.057	16	1.475	16	5.50	16	5.00	16	4.00	16	3.38	12	10.00
	J	1 1/8-8	-	-	-	-	-	-	-	-	-	-	-	-	8**	5.25
14"	H	1 1/8-8	16	2.442	16	2.118	16	6.00	16	5.75	16	4.62	16	4.25	16	11.50
	H	1 1/8-8	4**	1.608	4**	1.267	4**	5.25	4**	4.75	4**	3.75	4**	3.44	8**	5.25
16"	H	1 1/4-8	16	2.562	16	2.628	16	6.50	16	6.50	16	4.88	16	4.88	16	13.00
	H	1 1/4-8	4**	1.538	4**	1.588	4**	5.25	4**	5.25	4**	3.88	4**	4.25	8**	5.25
18"	H	1 1/4-8	20	2.870	20	2.890	20	7.00	20	7.00	20	5.25	20	5.25	20	14.00
	H	1 1/4-8	4**	1.657	4**	1.437	4**	5.50	4**	5.50	4**	4.00	4**	3.88	8**	5.50
20"	H	1 1/4-8	20	3.184	20	3.006	20	7.50	20	7.25	20	5.69	20	5.69	20	14.50
	H	1 1/4-8	4**	1.681	4**	1.750	4**	5.75	4**	5.50	4**	4.19	4**	4.00	8**	5.75
24"	H	1 1/2-8	20	3.560	20	3.510	20	8.25	20	8.25	20	6.31	20	6.25	20	16.50
	H	1 1/2-8	4**	1.800	4**	1.750	4**	6.25	4**	6.25	4**	4.56	4**	4.50	8**	6.25
30"	H	1 3/4-8	24	4.331	24	4.429	24	10.25	24	10.50	24	7.88	24	7.88	24	20.50
	H	1 3/4-8	4**	2.039	4**	2.071	4**	8.00	4**	8.00	4**	5.44	4**	5.47	8**	8.00

ASME Class 600 3" – 14"																
MSS SP-44 Class 600 14"																
			LUG VALVES												WAFER VALVES	
VALVE SIZE	VALVE SERIES	THREAD SIZE	BOLT ENGAGEMENT IN VALVE*				STUDS & NUTS				MACHINE BOLTS				STUDS & NUTS	
			QTY	LENGTH	QTY	LENGTH	QTY	LENGTH	QTY	LENGTH	QTY	LENGTH	QTY	LENGTH	QTY	LENGTH
			A	A	B	B	C	C	D	D	F	F	G	G	E	E
3"	J	3/4-10	8	1.034	8	1.026	8	3.50	8	3.50	8	2.25	8	2.38	8	7.00
4"	J	7/8-9	8	1.274	8	1.165	8	3.50	8	3.25	8	2.75	8	2.75	8	7.75
6"	J	1-8	12	1.274	12	1.306	12	4.75	12	4.75	12	3.25	12	3.25	12	9.50
8"	J	1 1/8-8	12	1.794	12	1.795	12	5.75	12	5.75	12	4.12	12	4.12	12	11.50
10"	H	1 1/4-8	12	2.495	12	2.000	12	6.75	12	6.25	12	5.00	12	4.50	12	13.00
	H	1 1/4-8	4**	1.375	4**	2.000	4**	5.50	4**	6.25	4**	3.88	4**	4.50	8**	6.25
12"	H	1 1/4-8	16	2.683	16	2.697	16	7.00	16	7.00	16	5.38	16	5.38	16	14.00
	H	1 1/4-8	4**	1.325	4**	1.765	4**	5.25	4**	6.00	4**	4.00	4**	4.38	8**	6.00
14"	H	1 3/8-8	16	2.994	16	2.996	16	7.50	16	7.50	16	CF	16	CF	16	15.00
	H	1 3/8-8	4**	1.506	4**	1.869	4**	6.00	4**	6.50	4**	CF	4**	CF	8**	6.50

* Bolt lengths "A" & "B" are from face of valve body to minimum depth in lug. Flange & gasket thickness must be added to calculate minimum bolt length.

** Special length required for tapped blind holes on either side of the valve shaft at the top and bottom ends of the valve body.