

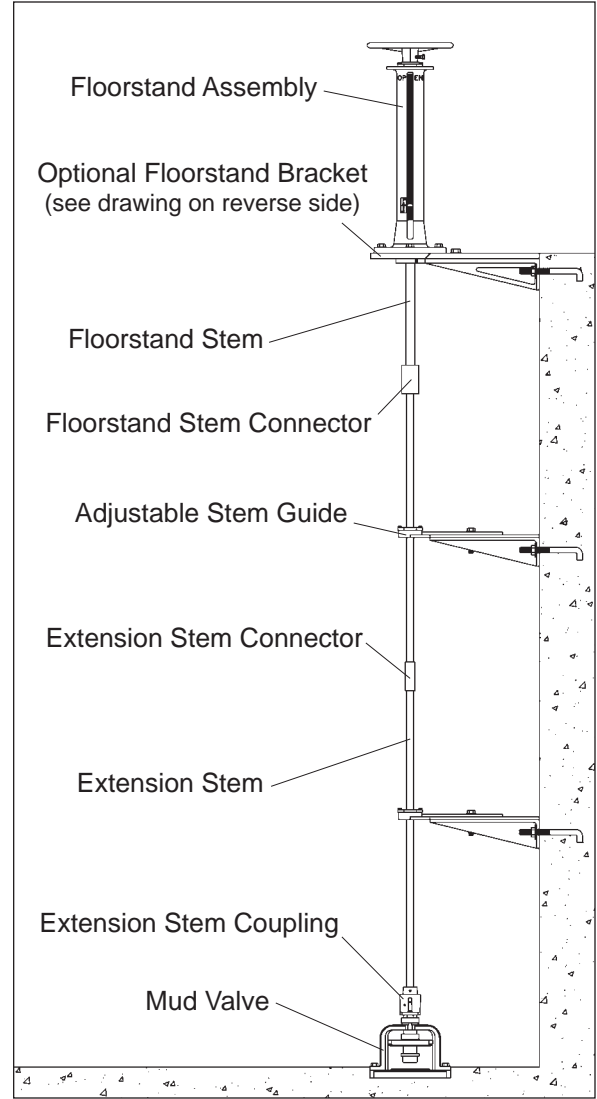
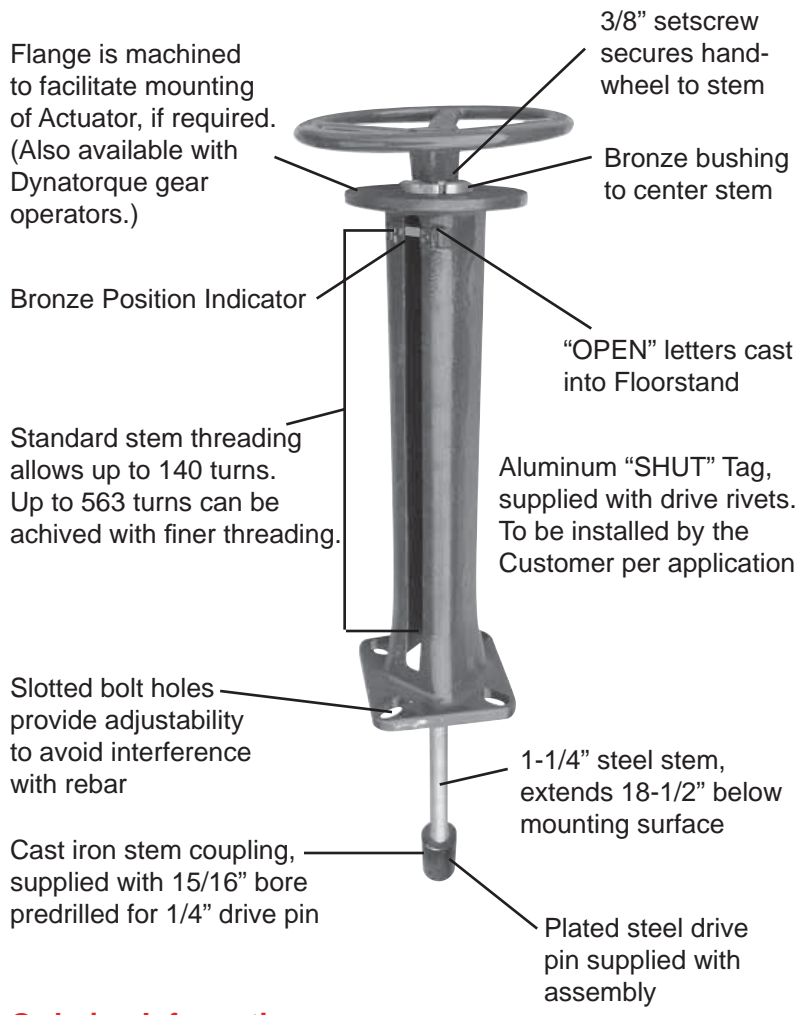


1040 N. Meridian Rd., P.O. Box 1556, Youngstown, Ohio 44501  
 Phone: (330) 799-3333 Toll Free: 1-800-677-1799 FAX: (330) 797-3215

[www.trumbull-mfg.com](http://www.trumbull-mfg.com)

## INDICATING FLOORSTAND

Trumbull Indicating Floorstands are designed for installation in treatment plants and pump stations to allow operation of valves at a lower elevation. Floorstand body is ductile iron for increased torque capacity. Our standard Floorstand is shown below; special mountings and stems are available. See reverse side for drawing of Floorstand and optional Floorstand Bracket.



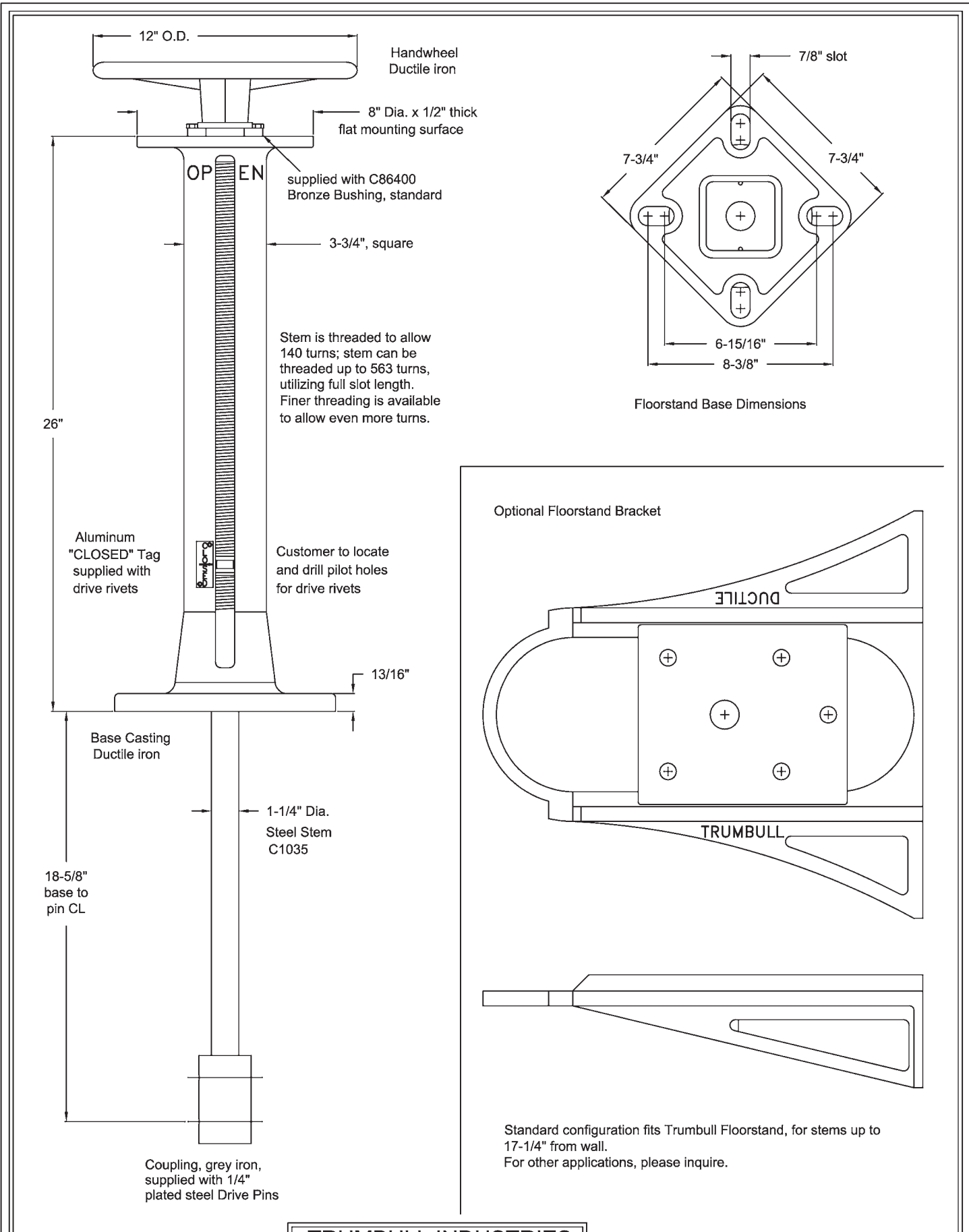
**Typical Floorstand installation.**

### Ordering Information:

1. Quantity.
2. Trumbull item number (#367-2420).
3. O.D. of connecting stem being used, or desired connector hole size (15/16" bore dia. supplied if not specified.)

See separate literature on Trumbull Floor Boxes, Extension Stems, Mud Valves and Stem Guides.

See reverse side for drawing.



Drawn:	Drawing Revision:	
Date	Rev.	Date
8/23/99	F	09/18/06

**TRUMBULL INDUSTRIES**  
P.O. Box 1556  
1040 N. Meridian Rd.  
Youngstown, Ohio 44501

Drawn to Scale  
**INDICATING FLOORSTAND**