

Class 200 • Threaded Bonnet • Needle Type Disc • Threaded Ends

Figure 88

Size Range:

1/8" through 3/4"

Working Pressures Non-Shock:

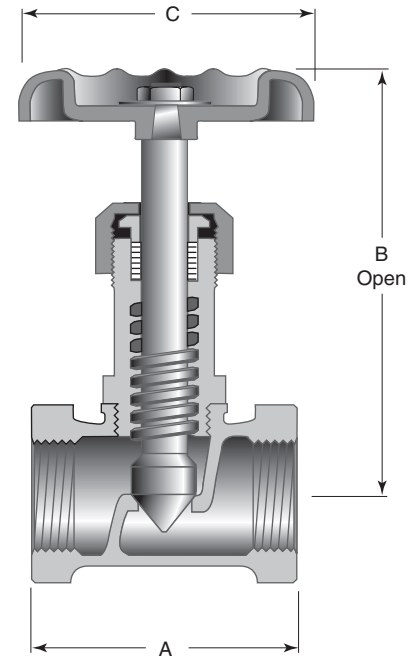
200 psi Steam, Basic Rating

400 psi Cold Working Pressure

Features

- Rising Stem
- Threaded Ends
- Screwed Bonnet
- Integral Seat
- Graphite Packing
- MSS Specification SP-80

For more detailed features, refer to page 36.



Principal Parts & Materials

Part	Size	Material	ASTM
Body	All	Bronze	B62 C83600
Bonnet	1/8"–3/8"	Bronze	B150 alloy C64200
Bonnet	1/2"–3/4"	Brass	B16 H02
Stem	All	Bronze	B150 alloy C64200

Dimensions and Weights

Inches (millimeters) - pounds (kilograms)

	1/8 (3)	1/4 (6)	3/8 (10)	1/2 (15)	3/4 (20)
A	1.16 (29)	1.53 (39)	1.78 (45)	2.03 (52)	2.28 (58)
B	2.94 (73)	2.88 (73)	3.06 (78)	3.56 (91)	4.12 (105)
C	1.75 (44)	1.75 (44)	1.75 (44)	2.06 (52)	2.56 (65)
WTS.	0.30 (0.14)	0.30 (0.14)	0.50 (0.22)	0.60 (0.27)	1.0 (0.45)