



# 87A-200 Series

Stainless Steel ANSI Class 150 Flanged Full Port Ball Valve - 1/2" through 1"

## STANDARDS COMPLIANCE

Refer to page D-A

## STANDARD FEATURES

Refer to page D-A

## MATERIALS OF CONSTRUCTION

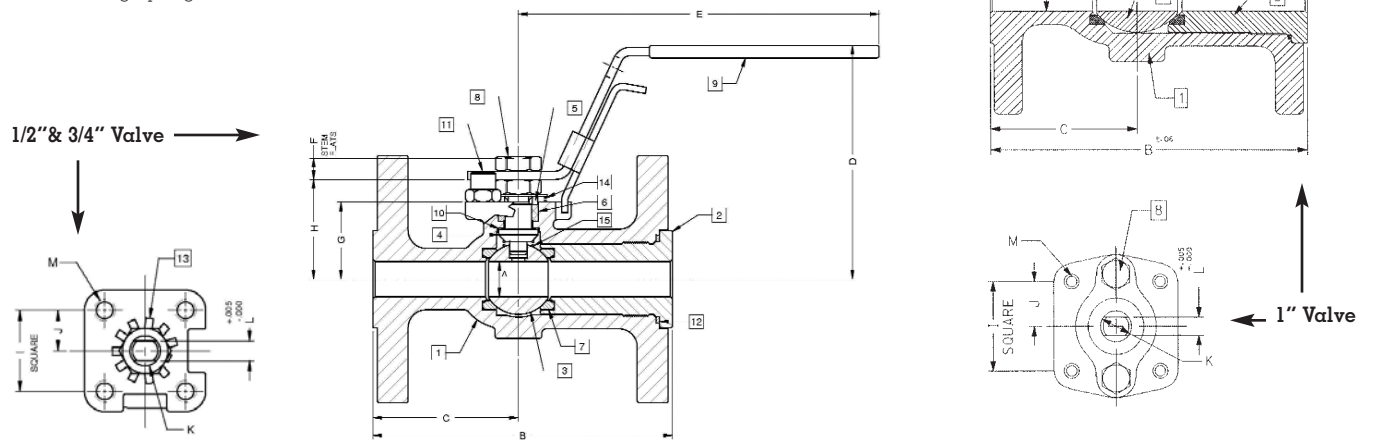
Description (1/2" & 3/4" Valves)	Material
1. Body	ASTM A351 CF8M
2. Retainer	ASTM A276 Type 316
3. Ball	ASTM A276 Type 316
4. Stem	ASTM A276 Type 316
5. Packing Gland	ASTM A276 Type 316
6. Stem Seals	PTFE
7. Seats	RPTFE
8. Stem Nut	300 Series Stainless Steel
9. Lever	300 Series Stainless Steel w/ Vinyl Grip
10. Stem Bearing	RPTFE
11. Stop	300 Series Stainless Steel
12. Body Seal	RPTFE
13. Lockwasher	300 Series Stainless Steel
14. Grounding Spring	ASTM A313 Stainless Steel
15. Grounding Spring	ASTM A313 Stainless Steel

Description (1" Valves)	Material
1. Body	ASTM A351 CF8M
2. Retainer	ASTM A276 Type 316
3. Ball	ASTM A276 Type 316
4. Stem	ASTM A276 Type 316
5. Packing Gland	ASTM A276 Type 316
6. Stem Seals	PTFE
7. Seats	RPTFE
8. Gland Screws	ASTM A193 B8 Class 1
9. Gland Plate	302 or 304 SS
10. Stem Nut	316 SS
11. Lever	302 or 304 with Vinyl Grip
12. Stem Bearing	RPTFE
13. Stop	ASTM A276 Type 316
14. Stop Screw	18-8 SS
15. Lock Plate	302 or 304 SS
16. Body Seal	RPTFE
17. Lockwasher	302 or 304 SS
18. Grounding Spring	SS

## OPTIONS AVAILABLE:

(SUFFIX)	OPTION
-01-	Standard
-14-	Side Vented Ball (Uni-Directional)
-15-	Wheel Handle, Steel
-21-	UHMWPE Seats
-24-	Fire Safe (Graphite Packing and Seal)
-35-	PTFE Seats and Seals
-38-	PEEK Seats and Graphite Packing
-49-	Assembled Dry
-57-	Oxygen Cleaned
-60-	Grounded Ball and Stem
-65-	MPTFE Seats and Graphite Packing
-67-	Cleaned For Industrial Gases
-69-	Drilled and Tapped Purge Port with Plugs
-70-	4" Extended Bonnet - N/A in 1/2" and 3/4"
-73-	316 SS Spiral Wound Gaskets w/PTFE Filler
-74-	316 SS Spiral Wound Gaskets w/Graphite Filler
-80-	Multi-Seal (Super TFE) 87A/88A Series

**For Pressure/Temperature Ratings, Refer to Page M-7, Graph No. 2**



NUMBER	SIZE	A	B	C	D	E	F	G	H	I	J	K	L	M	WT.
87A-203-01	1/2"	0.50	4.25	2.06	3.31	5.11	.30	1.09	1.41	1.00	.500	.375	.245	10-24	5.0
87A-204-01	3/4"	0.75	4.62	2.18	3.89	5.53	.36	1.65	1.99	1.392	.696	.500	.287	1/4-20	6.0
87A-205-01	1"	1.00	5.00	2.32	4.62	6.53	0.47	1.62	2.15	1.392	0.696	0.500	0.287	1/4-20	7.0



# 87A-200 Series

## Stainless Steel ANSI Class 150 Flanged Full Port Ball Valve - 1-1/2" through 2-1/2"

### STANDARDS COMPLIANCE

Refer to page D-A

### STANDARD FEATURES

Refer to page D-A

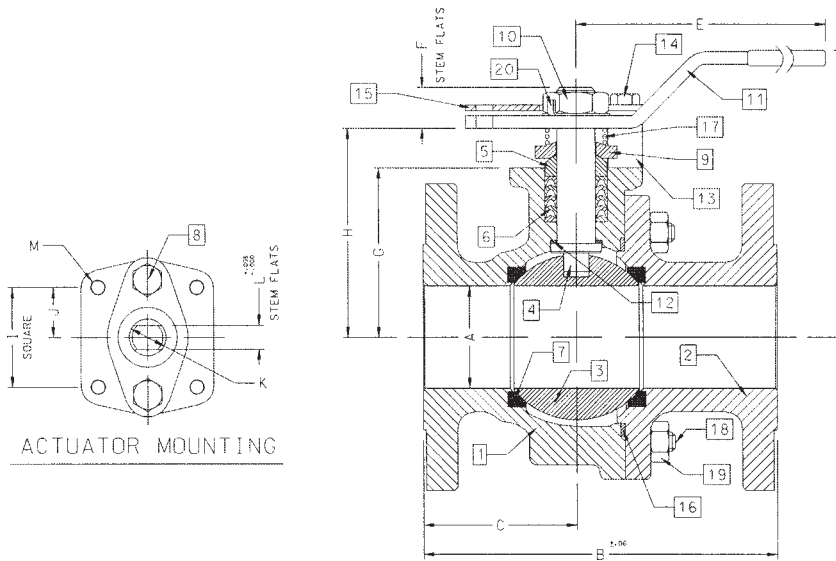
### MATERIALS OF CONSTRUCTION

Description	Material
1. Body	ASTM A351 CF8M
2. Retainer	ASTM A351 CF8M
3. Ball	ASTM A276 Type 316 or A351 CF8M
4. Stem	ASTM A276 Type 316
5. Packing Gland	ASTM A276 Type 316
6. Stem Seals	PTFE
7. Seats	RPTFE
8. Gland Screws	ASTM A193 B8 Class 1
9. Gland Plate	316 SS
10. Adapter Screw	18-8 SS
11. Lever	316 SS
12. Stem Bearing	RPTFE
13. Stop	ASTM A276 Type 316
14. Stop Screw	316 SS
15. Lock Plate	302 or 304 SS
16. Body Seal	RPTFE
17. Grounding Spring	SS
18. Body Joint Stud	ASTM A193 Grade B8M
19. Body Joint Nut	ASTM A194 Grade 8
20. Lockwasher	302 or 304 SS

### OPTIONS AVAILABLE:

(SUFFIX)	OPTION
-01-	Standard
-14-	Side Vented Ball (Uni-Directional)
-21-	UHMWPE Seats
-24-	Fire Safe (Graphite Packing and Seal)
-35-	PTFE Seats and Seals
-38-	PEEK Seats and Graphite Packing (3" Only)
-49-	Assembled Dry
-57-	Oxygen Cleaned
-60-	Grounded Ball and Stem
-65-	MPTEFE Seats and Graphite Packing
-67-	Cleaned For Industrial Gases
-69-	Drilled and Tapped Purge Ports with Plugs
-70-	4" Extended Bonnet
-73-	316 SS Spiral Wound Gaskets w/PTFE Filler
-74-	316 SS Spiral Wound Gaskets w/Graphite Filler
-80-	Multi-Seal (Super TFE) 87A/88A Series
-MG-	Gear Operator with Standard Handwheel
-MH-	Gear Operator with Standard Handwheel & Locking Device
-MJ-	Gear Operator with Oversize Handwheel
-MK-	Gear Operator with Oversize Handwheel & Locking Device

**For Pressure/Temperature Ratings, Refer to Page M-7, Graph No. 2**



NUMBER	SIZE	A	B	C	D	E	F	G	H	I	J	K	L	M	WT.
87A-207-01	1-1/2"	1.50	6.50	3.00	4.62	6.65	0.72	2.41	3.09	1.949	0.974	0.625	0.412	5/16-18	14.0
87A-208-01	2"	2.00	7.00	3.04	5.61	8.41	0.80	3.31	4.08	1.949	0.974	0.750	0.477	5/16-18	25.0
87A-209-01	2-1/2"	2.50	7.50	3.34	6.24	8.41	0.80	3.94	4.71	1.949	0.974	0.750	0.477	5/16-18	30.0



# 87A-200 Series

Stainless Steel ANSI Class 150 Flanged Full Port Ball Valve - 3" through 6"

## STANDARDS COMPLIANCE

Refer to page D-A

## STANDARD FEATURES

Refer to page D-A

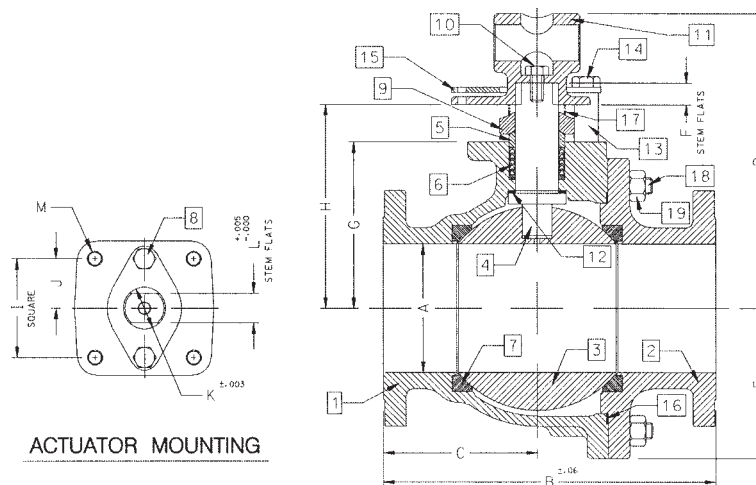
## MATERIALS OF CONSTRUCTION

Description	Material
1. Body	ASTM A351 CF8M
2. Retainer	ASTM A351 CF8M
3. Ball	ASTM A276 Type 316 or A351 CF8M
4. Stem	ASTM A276 Type 316
5. Packing Gland	ASTM A276 Type 316
6. Stem Seals	PTFE
7. Seats	RPTFE
8. Gland Screws	ASTM A193 B8 Class 1
9. Gland Plate	316 SS
10. Adapter Screw	18-8 SS
11. Handle Adapter	316 with Vinyl Grip
12. Stem Bearing	RPTFE
13. Stop	ASTM A276 Type 316
14. Stop Screw	316 SS
15. Lock Plate	302 or 304 SS
16. Body Seal	RPTFE
17. Grounding Spring	SS
18. Body Joint Stud	ASTM A193 Grade B8M
19. Body Joint Nut	ASTM A194 Grade 8
20. Pipe Handle	Galvanized Steel (not shown)

## OPTIONS AVAILABLE:

(SUFFIX)	OPTION
-01-	Standard
-14-	Side Vented Ball (Uni-Directional)
-21-	UHMWPE Seats
-24-	Fire Safe (Graphite Packing and Seal)
-35-	PTFE Seats and Seals
-38-	PEEK Seats and Graphite Packing (3" Only)
-49-	Assembled Dry
-57-	Oxygen Cleaned
-60-	Grounded Ball and Stem
-65-	MPTFE Seats and Graphite Packing
-67-	Cleaned For Industrial Gases
-69-	Drilled and Tapped Purge Ports with Plugs
-70-	Extended Bonnet
-73-	316 SS Spiral Wound Gaskets w/PTFE Filler
-74-	316 SS Spiral Wound Gaskets w/Graphite Filler
-76-	Live Loaded 87A/88A Series (Lever)
-80-	Multi-Seal (Super TFE) 87A/88A Series
-MG-	Gear Operator with Standard Handwheel
-MH-	Gear Operator with Standard Handwheel & Locking Device
-MJ-	Gear Operator with Oversize Handwheel
-MK-	Gear Operator with Oversize Handwheel & Locking Device

**For Pressure/Temperature Ratings, Refer to Page M-7, Graph No. 2**



NUMBER	SIZE	A	B	C	D	E	F	G	H	I	J	K	L	M	WT.
87A-200-01	3"	3.00	8.00	3.68	8.80	3.88	0.50	4.75	5.95	2.840	1.420	1.250	0.725	3/8-16	60.0
87A-20A-01	4"	4.00	9.00	3.94	9.99	5.13	0.50	5.94	7.13	2.840	1.420	1.250	0.725	3/8-16	91.0
87A-20C-01	6"	6.00	15.50	7.19	13.73	7.00	1.00	7.75	9.48	4.596	2.298	2.000	1.375	3/4-10	248.0



# 87A-200 Series

Stainless Steel ANSI Class 150 Flanged Full Port Ball Valve - 8" through 12"

## STANDARDS COMPLIANCE

Refer to page D-A

## STANDARD FEATURES

Refer to page D-A

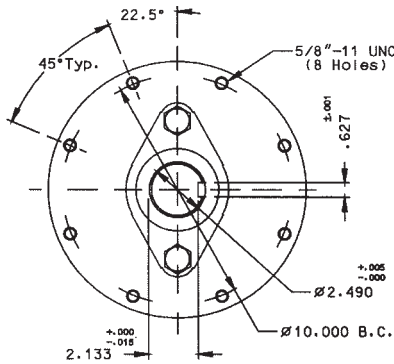
## MATERIALS OF CONSTRUCTION

Description	Material
1. Body	ASTM A351 CF8M
2. Retainer	ASTM A351 CF8M
3. Ball	ASTM A276 Type 316 or A351 CF8M
4. Stem	ASTM A276 Type 316
5. Packing Gland	ASTM A276 Type 316
6. Stem Seals	PTFE
7. Seats	RPTFE
8. Gland Screws	ASTM A193 B8 Class 1
9. Gland Plate	316 SS
10. Stem Bearing	RPTFE
11. Body Seal	RPTFE
12. Body Joint Stud	ASTM A193 Grade B8M
13. Body Joint Nut	ASTM A194 Grade 8

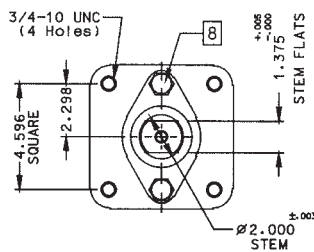
## OPTIONS AVAILABLE:

(SUFFIX)	OPTION
-01-	Standard
-14-	Side Vented Ball (Uni-Directional)
-21-	UHMWPE Seats
-24-	Fire Safe (Graphite Packing and Seal)
-35-	PTFE Seats and Seals
-49-	Assembled Dry
-57-	Oxygen Cleaned
-60-	Grounded Ball and Stem
-65-	MPTFE Seats and Graphite Packing
-69-	Drilled and Tapped Purge Ports with Plugs
-70-	Extended Bonnet (8" Only)
-76-	Live Loaded 87A/88A Series (Lever)
-80-	Multi-Seal (Super TFE) 87A/88A Series
-MG-	Gear Operator with Standard Handwheel
-MH-	Gear Operator with Standard Handwheel & Locking Device
-MJ-	Gear Operator with Oversize Handwheel
-MK-	Gear Operator with Oversize Handwheel & Locking Device

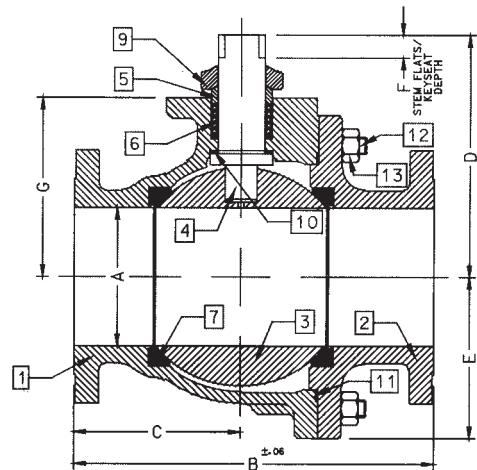
**For Pressure/Temperature Ratings, Refer to Page M-7, Graph No. 2**



ACTUATOR MOUNTING: 10" & 12"

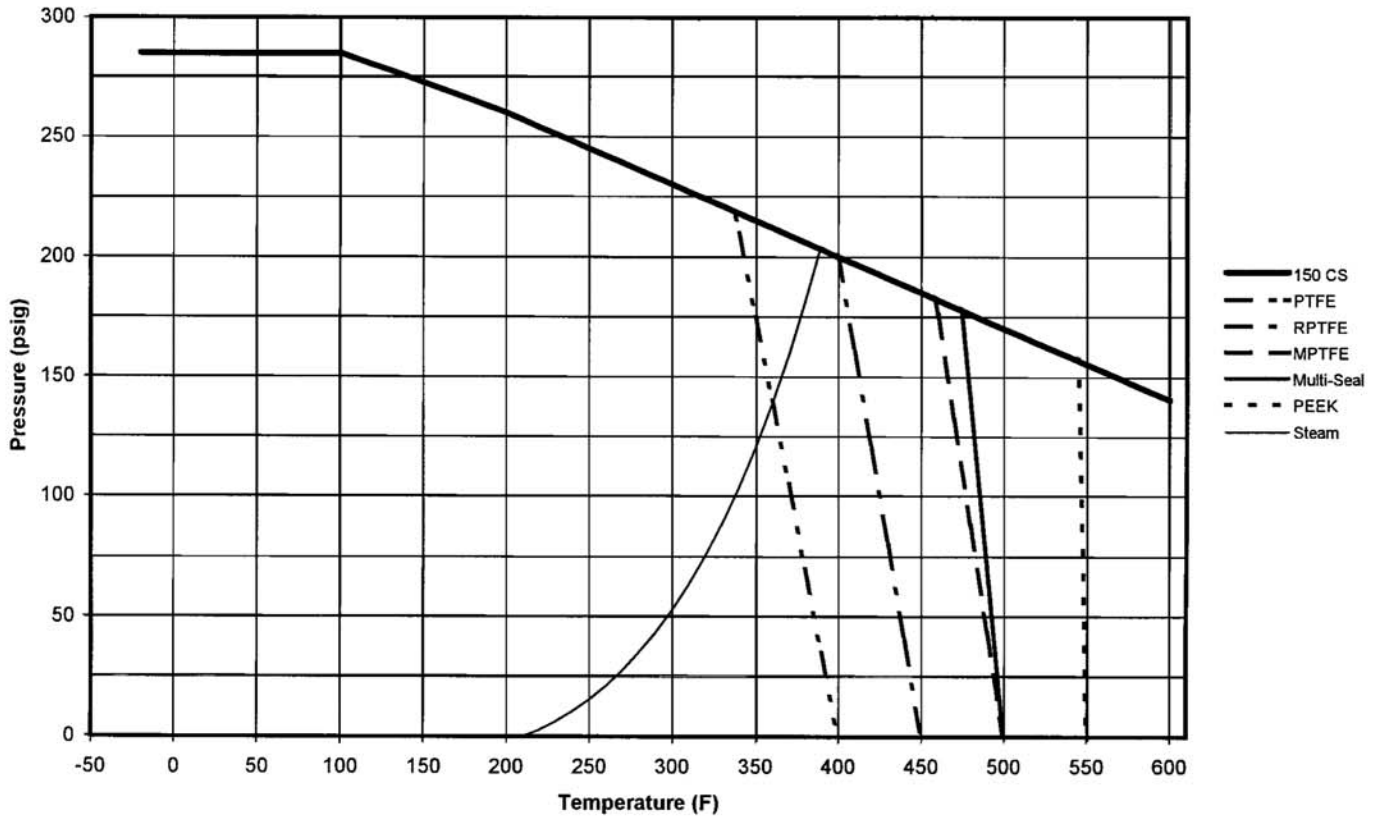


ACTUATOR MOUNTING: 8"



NUMBER	SIZE	A	B	C	D	E	F	G
87A-20E-01	8"	8.00	18.00	8.88	12.83	9.18	1.00	10.22
87A-20G-01	10"	10.00	21.00	10.26	18.57	11.33	2.31	12.80
87A-20H-01	12"	12.00	24.00	12.09	20.31	13.40	2.31	14.92

## Class 150 CS P-T Rating (Graph 1)



## Class 150 SS P-T Rating (Graph 2)

