



# 76F-100 Series

## Stainless Steel Full Port Ball Valve

Threaded, 1/4"-2" 1000 psig CWP Cold Non-Shock, 150 psig. (See referenced P/T chart)  
 Saturated Steam, Vacuum Service to 29 inches Hg.  
 Federal Specification: WW-V-35C, Type: II, Composition: SS, Style: 3.  
 MSS SP-110; Ball Valves Threaded, Socket-Welding, Solder Joint, Grooved and Flared Ends.

### FEATURES

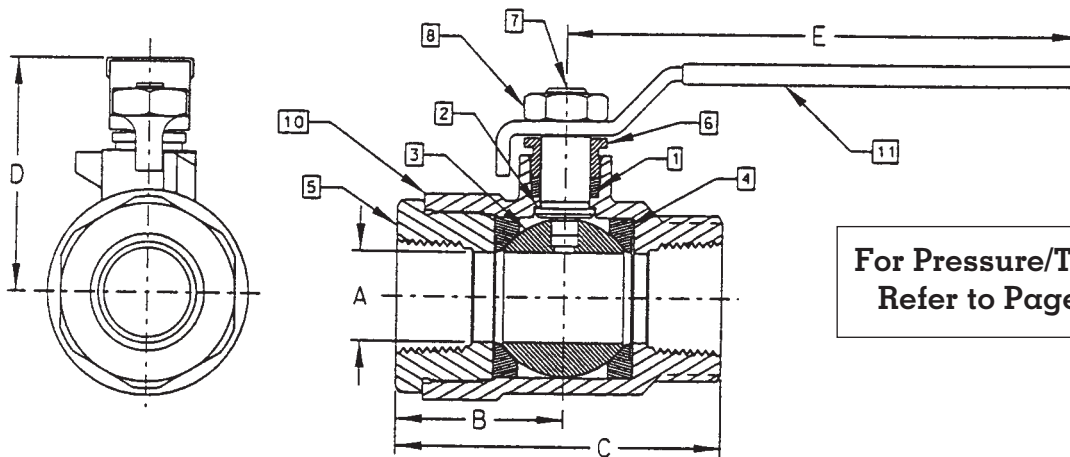
- Investment cast components
- RPTFE seats
- MPTFE stuffing box ring
- Blow-out-proof stem design
- Adjustable packing gland
- Meets NACE MR-01-75
- SS lever and nut
- Available with SS latch lock lever (-27)

### STANDARD MATERIAL LIST

1. Stem packing	MPTFE	6. Gland	A276-316 SS
2. Stem bearing	RPTFE	7. Stem	A276-316 SS
3. Ball	A276-316 SS	8. Lever nut	304 SS
4. Seat (2)	RPTFE	9. Washer	304 SS
5. Retainer	A276-316 SS (1/4" to 1") A351-CF8M (1-1/4" to 2")	10. Body	A351-CF8M
		11. Lever and grip	SS w/vinyl

### OPTIONS AVAILABLE:

(SUFFIX)	OPTION	SIZES
-27-	SS Latch Lock Lever & Nut	1/4" to 2"

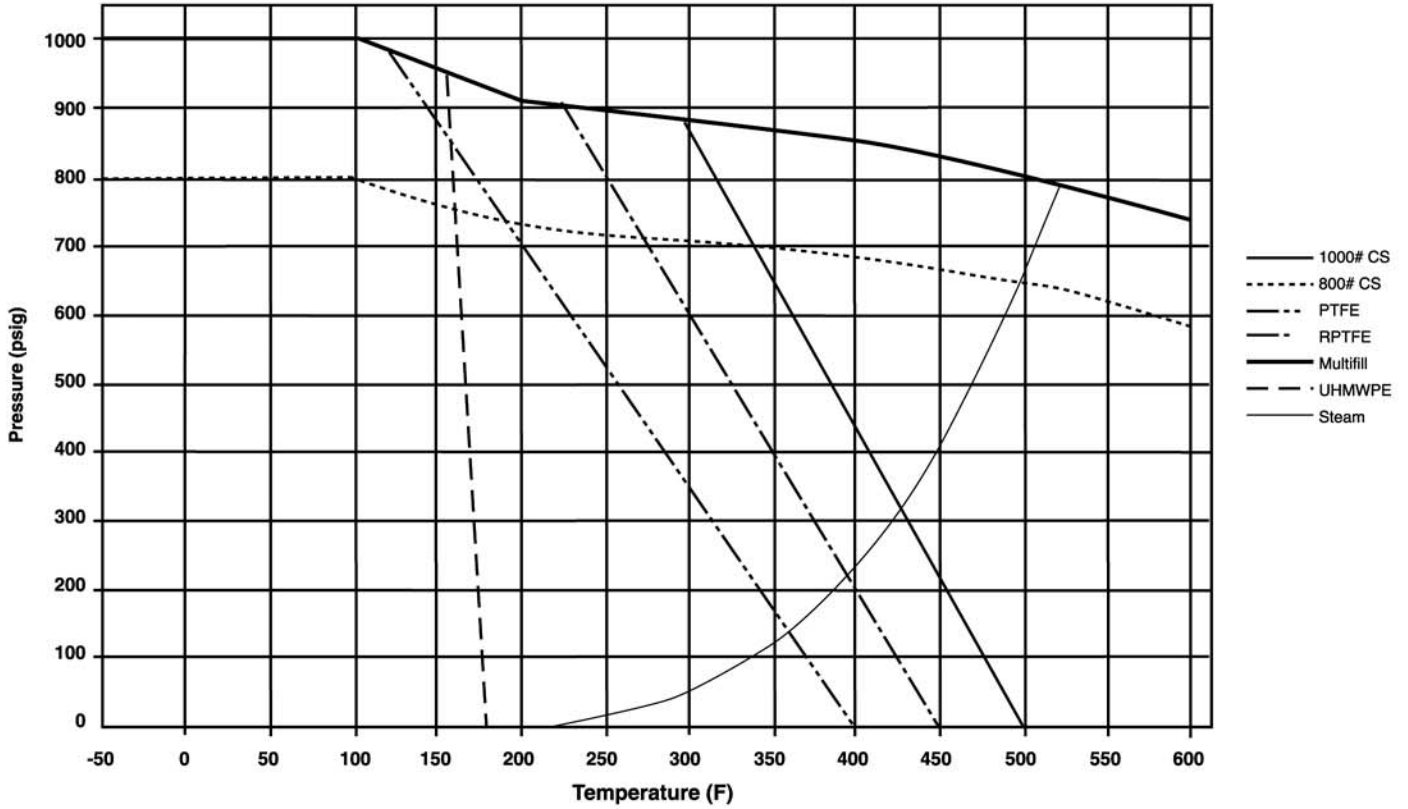


**For Pressure/Temperature Ratings,  
Refer to Page M-10, Graph No. 8**

#### STAINLESS STEEL FULL PORT BALL VALVE

NUMBER	SIZE	A	B	C	D	E	WT.
76F-101-01	1/4"	.37	.95	1.91	1.60	3.85	.47
76F-102-01	3/8"	.37	.95	1.91	1.60	3.85	.44
76F-103-01	1/2"	.50	1.10	2.23	1.73	3.85	.55
76F-104-01	3/4"	.81	1.56	3.06	2.13	4.75	1.54
76F-105-01	1"	1.00	1.71	3.45	2.66	5.40	2.81
76F-106-01	1-1/4"	1.25	2.05	4.10	2.88	5.40	4.12
76F-107-01	1-1/2"	1.50	2.33	4.66	3.30	7.75	5.74
76F-108-01	2"	2.00	2.68	5.37	3.70	7.75	9.73

## 1000# CS P-T Rating (Graph 7)



## 1000# SS P-T Rating (Graph 8)

