



71-ARX Series

Bronze Std. Port Ball Valve with Actuator Ready ISO Mounting Pad

Threaded, 600 psig WOG, Cold Non-Shock, 250 psig Saturated Steam. (See referenced P/T chart)
Vacuum Service to 29 inches Hg.

Federal Specification: WW-V-35C, Type: II, Composition: BZ, Style: 3.

MSS SP-110; Ball Valves Threaded, Socket-Welding, Solder Joint, Grooved and Flared Ends

FEATURES

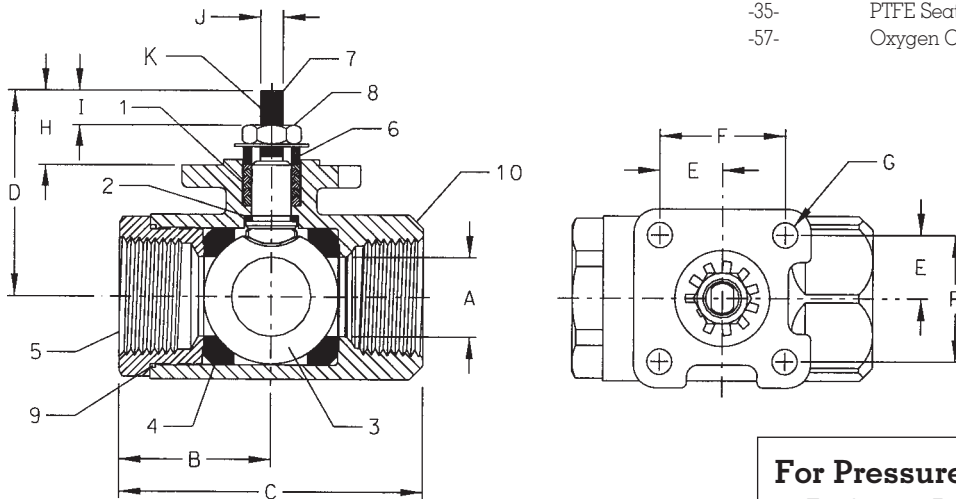
- Multi-piece packing set
- ISO 5211 mounting pad
- Stainless ball & stem
- Blow-out-proof stem design
- Adjustable packing gland
- Live loaded packing

STANDARD MATERIAL LIST

1. Stem packing	MPTFE	6. Gland	B16
2. Stem bearing	RYTON	7. Stem	316 SS
3. Ball	316 SS	8. Jam nut	SS
4. Seat (2)	MPTFE	9. Body seal	PTFE (1-1/4" to 3")
5. Retainer	B16 (3/4" to 1")	10. Body	B584-C84400
	B584-C84400 (1-1/4" to 3")		

OPTIONS AVAILABLE:

(SUFFIX)	OPTION	SIZES
-14-	Vented Ball	3/4" to 3"
-24-	Graphite Packing	3/4" to 2"
-27-	Latch Lock Handle	3/4" to 3"
-35-	PTFE Seats	3/4" to 3"
-57-	Oxygen Cleaned	3/4" to 3"

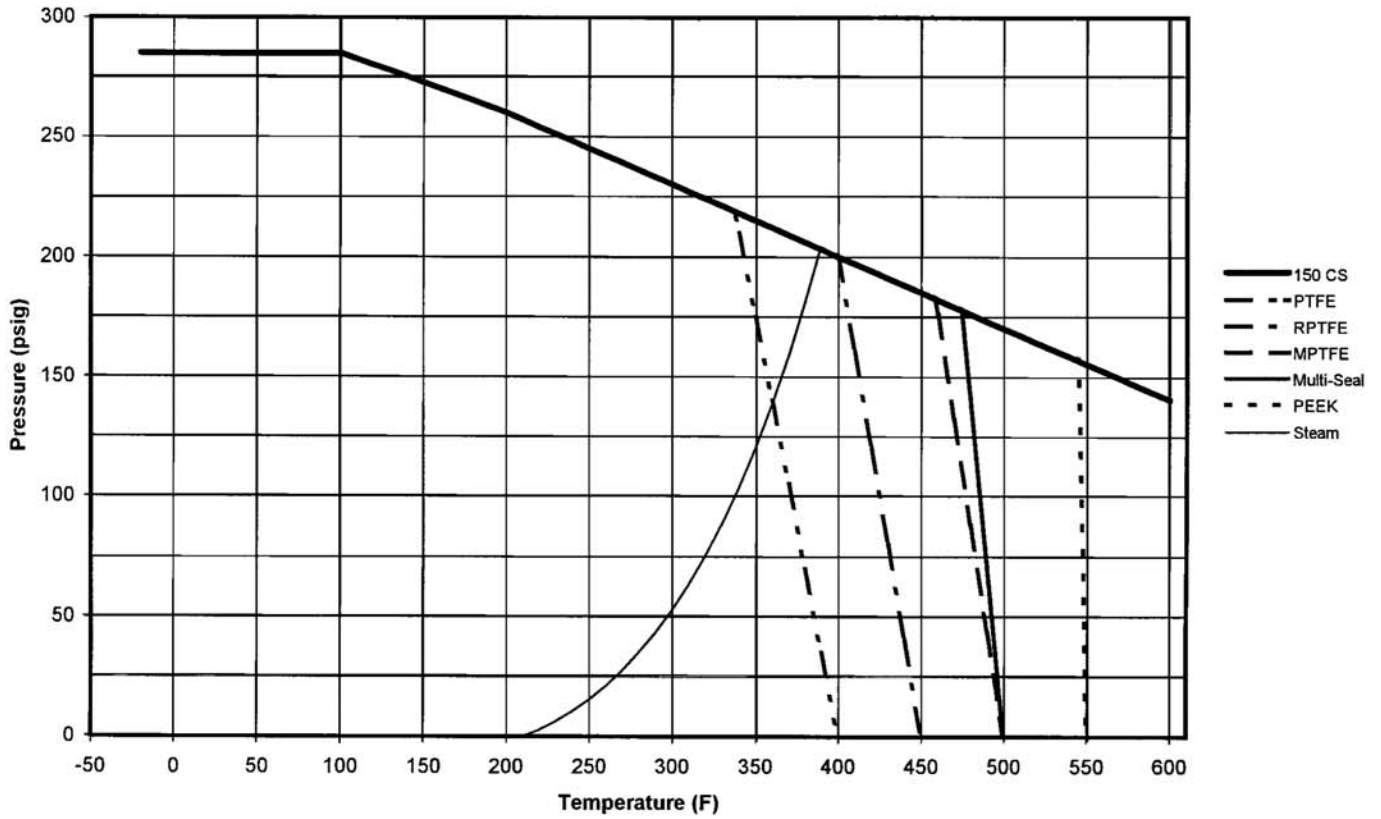


**For Pressure/Temperature Ratings,
Refer to Page M-8, Graph No. 4**

BRONZE STD. PORT BALL VALVE WITH ISO MOUNTING PAD

NUMBER	SIZE	A	B	C	D	E	F	G	H	I	J (FLATS)	K (THRDS.) UNF	WT.
71-AR4-64	3/4"	.68	1.50	3.00	2.16	.70	1.39	.28	.84	.28	.247/.249	3/8-24	1.38
71-AR5-64	1"	.87	1.68	3.37	2.28	.70	1.39	.28	.84	.28	.247/.249	3/8-24	1.76
71-AR6-64	1-1/4"	1.00	1.98	3.97	3.16	.98	1.95	.34	1.16	.26	.370/.372	5/8-18	3.51
71-AR7-64	1-1/2"	1.25	2.18	4.34	3.16	.98	1.95	.34	1.16	.38	.370/.372	5/8-18	4.40
71-AR8-64	2"	1.50	2.34	4.68	3.37	.98	1.95	.34	1.16	.38	.370/.372	5/8-18	5.89
71-AR9-64	2-1/2"	2.00	3.12	6.25	3.85	.98	1.95	.34	1.16	.41	.370/.372	5/8-18	14.12
71-AR0-64	3"	2.50	3.37	6.75	4.18	.98	1.95	.34	1.16	.55	.370/.372	5/8-18	18.55

Class 150 CS P-T Rating (Graph 1)



Class 150 SS P-T Rating (Graph 2)

