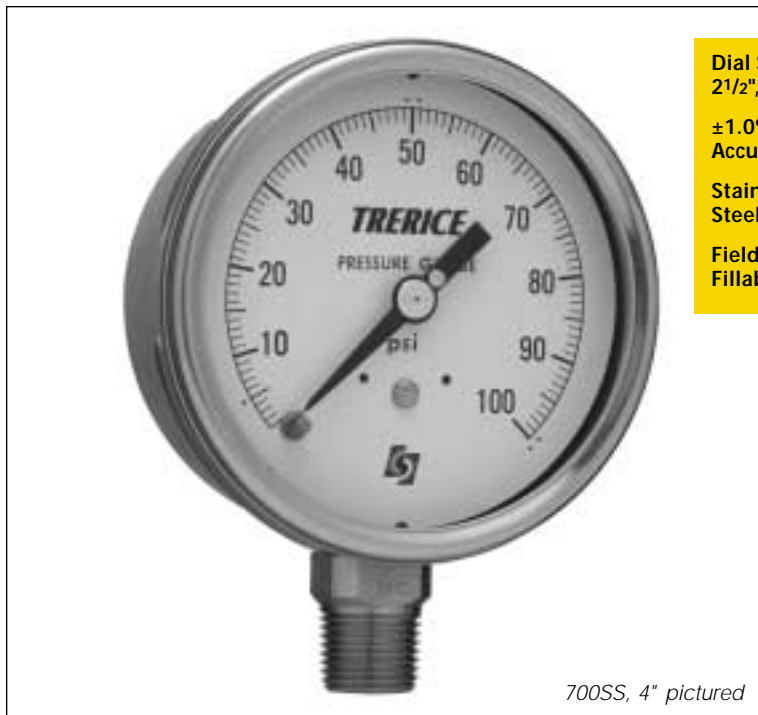


Industrial Gauge 700 Series



700SS, 4" pictured

Dial Sizes
2 1/2", 4" & 6"

±1.0%
Accuracy

Stainless
Steel Case

Field Liquid
Fillable

The Trerice Series 700 Industrial Gauge is designed for the varying needs of the world's industrial applications. This gauge has a stainless steel case and ring. Its sturdy interior design and liquid-fill capability provide the durability and accuracy required for industrial process environments. Available wetted parts are bronze tube with brass socket, stainless steel tube and socket, or Monel tube and socket.

Case style variations and optional features are also available. Please consult the Options Section for details.

For correct use and application of all pressure gauges, please refer to Pressure Gauge Standard ASME B40.100.

Specifications

Models

700B (dry), 700LFB (liquid filled)
700SS (dry), 700LFSS (liquid filled)
700M (dry), 700LFM (liquid filled)

Size

2 1/2", 4", 6"

Wetted Parts

700B, 700LFB: Bronze tube, brass socket

700SS, 700LFSS: 316 stainless steel tube and socket

750M, 750LFM: Monel tube and socket (meets NACE MR 01.75)

Movement

Stainless steel

Connection

2 1/2" Dial Size: Lower male or center back male, 1/4 NPT

4", 6" Dial Size: Lower male or lower back male, 1/4 or 1/2 NPT

Case

304 stainless steel, satin finished, stem mounted flangeless

Ring

Bayonet type, 304 stainless steel

Window

Laminated safety glass

Pointer

2 1/2" Dial Size: Adjustable, black finished

4", 6" Dial Size: Micro adjustable knife edge, black finished

Dialface

Aluminum, white background with black graduations and markings

Accuracy

±1.0% Full Scale, ASME B40.100 Grade 1A

Maximum Temperature

700SS, 700M: 250°F (121°C)

700B, 700LFB, 700LFSS, 700LFM: 150°F (65°C)

Approximate Shipping Weight

700B, 700SS, 2 1/2" Dial Size: 0.4 lbs [0.18 kg]

700LFB, 700LFSS, 2 1/2" Dial Size: 0.5 lbs [0.23 kg]

700B, 700SS, 700M, 4" Dial Size: 1.3 lbs [0.59 kg]

700LFB, 700LFSS, 700LFM, 4" Dial Size: 2.1 lbs [0.95 kg]

700B, 700SS, 700M, 6" Dial Size: 2.0 lbs [0.91 kg]

700LFB, 700LFSS, 700LFM, 6" Dial Size: 3.8 lbs [1.72 kg]

How to Order

Sample Order Number: 700B40FSL250PSI110
700B 40 FSL 250 PSI 110

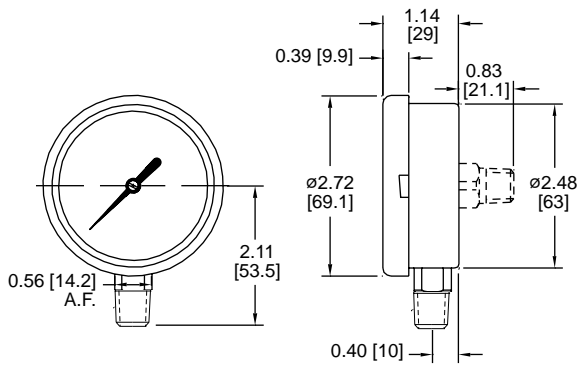
Model	Liquid Fill Type	Dial Size	Case Type & Connection Location	Connection Size	Units of Measure	Range Code
700B	G Glycerine	25* 2 1/2"	FMB Flush Mount Back	250 1/4 NPT	PSI psi	See Standard
700LFB	S Silicone	40 4"	FML Flush Mount Lower	500 1/2 NPT	PSI/KPA psi/kPa	Available
700SS	Omit if Dry	60 6"	FSB Flangeless Back		PSI/KG psi & kg/cm ²	Ranges
700LFSS			FSL Flangeless Lower			(over)
700M			SMB Surface Mount Back			
700LFM			SML Surface Mount Lower			
			UCB U-Clamp Back (N/A w/6")			

*2 1/2" Dial Size not available with Model 700M or 700LFM, or with Connection Size 1/2 NPT.

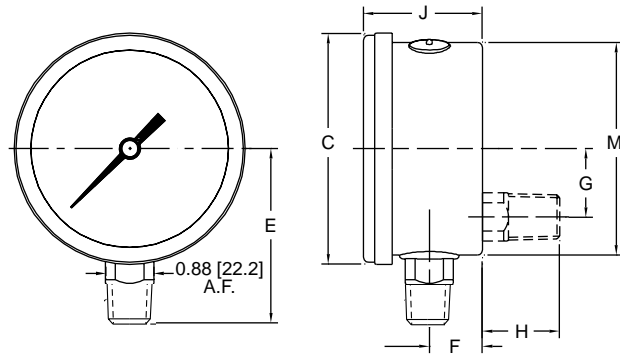
Industrial Gauge 700 Series

2 1/2"

All dimensions are nominal.
Dimensions in [] are in millimeters.



4" & 6"



Dial Size	Material	C	E	F	G	H	J	M
4"	Brass	4.18 [106]	3.00 [76]	0.96 [24]	1.24 [31]	1.13 [29]	2.15 [55]	3.85 [98]
	SS/Monel	4.18 [106]	3.17 [81]	0.96 [24]	1.24 [31]	1.40 [36]	2.15 [55]	3.85 [98]
6"	Brass	5.92 [150]	3.72 [94]	0.96 [24]	1.24 [31]	1.13 [29]	2.15 [55]	5.58 [142]
	SS/Monel	5.92 [150]	3.94 [100]	0.96 [24]	1.24 [31]	1.40 [36]	2.15 [55]	5.58 [142]

Standard Available Ranges

		psi Ranges (PSI)			
Range Code	Specific Range	2 1/2" Dial Size	4" & 6" Dial Size	Figure Intervals	Minor Divisions
010	30" Hg to 0	5	0.5	5	0.2
020	30" Hg to 15 psi	10/5	1/0.5	5/5	0.5/0.2
030	30" Hg to 30 psi	10/5	1/0.5	10/5	1/0.5
040	30" Hg to 60 psi	10/10	2/1	10/10	1/1
050	30" Hg to 100 psi	30/20	2/2	30/10	2/1
060	30" Hg to 150 psi	30/20	5/2	30/20	5/2
070	30" Hg to 300 psi	30/50	5/5	30/50	5/2
080	0 to 15 psi	3	0.2	3	0.1
090	0 to 30 psi	5	0.5	5	0.2
100	0 to 60 psi	10	1	10	0.5
110	0 to 100 psi	10	2	10	1
120	0 to 160 psi	20	2	20	2
130	0 to 200 psi	20	2	20	2
140	0 to 300 psi	50	5	50	2

Standard Available Ranges continued

		psi Ranges (PSI)			
Range Code	Specific Range	2 1/2" Dial Size	4" & 6" Dial Size	Figure Intervals	Minor Divisions
150	0 to 400 psi	50	5	50	5
160	0 to 600 psi	100	10	50	5
Ranges over 600 psi are not available in 700B or 700LFB in 4" or 6" Dial Sizes.					
180	0 to 1000 psi	100	20	100	10
190	0 to 1500 psi	200	20	300	10
200	0 to 2000 psi	200	20	200	20
210	0 to 3000 psi	300	20	300	20
220	0 to 5000 psi	500	50	500	50
230	0 to 10,000 psi	2000	200	1000	100
Ranges over 10,000 psi are ONLY available in 700SS or 700LFSS in 4" or 6" Dial Sizes.					
240	0 to 15,000 psi	N/A	N/A	500	100
250	0 to 20,000 psi	N/A	N/A	1000	100

kPa, kg/cm², and dual scale (psi/kPa and psi & kg/cm²) ranges are available. Specify the range required along with the appropriate Units of Measure code (PSI/KPA or PSI/KG). Other pressure measurement ranges available, including Altitude, Ammonia, Refrigerant and Receiver ranges. Consult Special Application Ranges section or factory for availability.