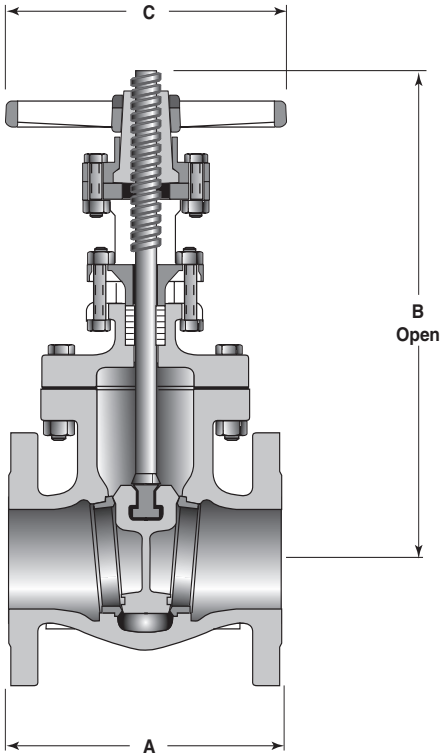




Class 250 • Bolted Bonnet • OS&Y • Bronze Trim • Flanged Ends

Figure 7½E
 Flanged with Bronze Trim
Size Range:
 2 through 12 inches

Working Pressures Non-Shock
 250 psi Steam, Basic Rating
 500 psi Cold Working Pressure



Features

- Tapered Solid Wedge Disc
- Body Guide Ribs
- Non Asbestos Packing and Gaskets
- Bronze Stem
- Renewable Bronze Seat Rings
- ACME Double Stem Threads
- Valves can be equipped with by-passes when specified.
- Valves 6" and larger have bosses cast into the bodies and bonnets, and can be equipped with taps and drains to prevent fluids from accumulating and possibly causing damage. Orders must specify location of taps and drains.
- MSS SP-70 Type 1 and MSS SP-25 ASME B16.10, ASME B16.1

For more detailed features, refer to page 7.

Principal Parts & Materials

| Fig. No. | Size | Stem | Seating | End Conn. |
|----------|----------|--------|---------|-----------|
| 7½E | 2" - 12" | Bronze | Bronze | Flanged |

Dimensions and Weights

Inches (millimeters) - pounds (kilograms)

| Valves | 2 (50) | 2 ½ (65) | 3 (80) | 4 (100) | 5 (125) | 6 (150) | 8 (200) | 10 (250) | 12 (300) |
|--------|----------------|----------------|----------------|----------------|----------------|----------------|-----------------|-----------------|-----------------|
| A | 8.50 (216) | 9.50 (241) | 11.12 (282) | 12.00 (305) | 15.00 (381) | 15.88 (403) | 16.50 (419) | 18.00 (457) | 19.75 (502) |
| B | 15.06 (382) | 16.69 (424) | 18.75 (476) | 23.44 (595) | 24.00 (609) | 31.75 (806) | 39.88 (1012) | 41.75 (1060) | 47.00 (1193) |
| C | 8.00 (203) | 8.00 (203) | 10.00 (254) | 12.00 (305) | 14.00 (356) | 16.00 (406) | 18.00 (457) | 22.00 (559) | 24.00 (610) |
| Wt. | 54 (24) | 80 (36) | 114 (52) | 174 (79) | 280 (127) | 332 (151) | 600 (270) | 920 (417) | 1400 (635) |