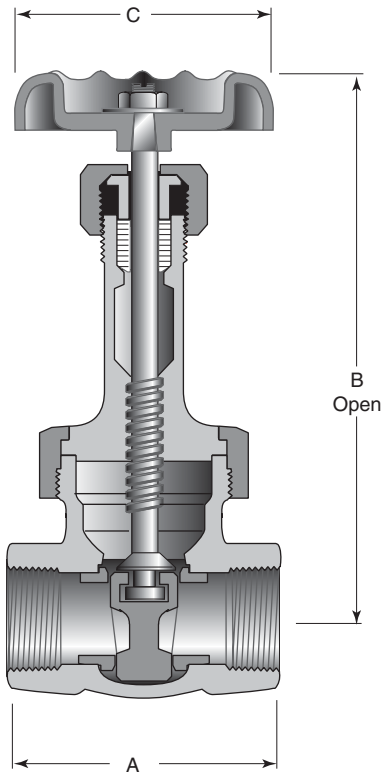


**Class 300 • Union Bonnet • Rising Stem • Stainless Steel Seats • Threaded**



### Features

- Rising Stem
- Union Bonnet
- Bolted Bonnet (2 1/2" to 3")
- Solid Wedge Disc
- Threaded Ends
- Full Ports
- Back Seat
- 410 Stainless Steel Seat Rings
- MSS SP-80, Type 2

For more detailed features, refer to page 18.

### Figure 634E

#### Size Range:

1/4" through 3"

#### Working Pressures Non-Shock:

300 psi Steam, Basic Rating

1000 psi Cold Working Pressure

1/4" to 2" - (6mm - 50mm)

600 psi Cold Working Pressure

2 1/2" to 3" - (65mm - 80mm)

### Principal Parts & Materials

Part	Sizes	Material	ASTM
Body & bonnet	All	Bronze	B61 alloy C92200
Disc	All	Bronze	B61 alloy C92200
Seat ring	All	410 Stainless Steel	A276 S41000
Stem	All	Bronze	B371 alloy C69400

### Dimensions and Weights

Inches (millimeters) - pounds (kilograms)

	1/4 (6)	3/8 (10)	1/2 (15)	3/4 (20)	1 (25)	1 1/4 (32)	1 1/2 (40)	2 (50)	2 1/2 (65)	3 (80)
A	2.03 (52)	2.13 (54)	2.42 (61)	2.61 (66)	3.06 (78)	3.35 (85)	3.69 (94)	3.96 (101)	4.60 (117)	5.63 (143)
B	4.86 (123)	4.86 (123)	5.40 (137)	6.60 (168)	7.91 (201)	9.32 (237)	10.45 (265)	13.38 (340)	14.12 (359)	16.78 (426)
C	2.25 (57)	2.25 (57)	2.25 (57)	2.75 (70)	2.75 (70)	3.25 (83)	4.00 (102)	4.00 (102)	4.75 (121)	7.00 (178)
WTS.	.85 (0.39)	.94 (0.43)	1.44 (0.65)	2.06 (0.94)	3.34 (1.52)	4.81 (2.18)	6.13 (2.78)	10.44 (4.74)	20.50 (9.31)	44.00 (19.95)