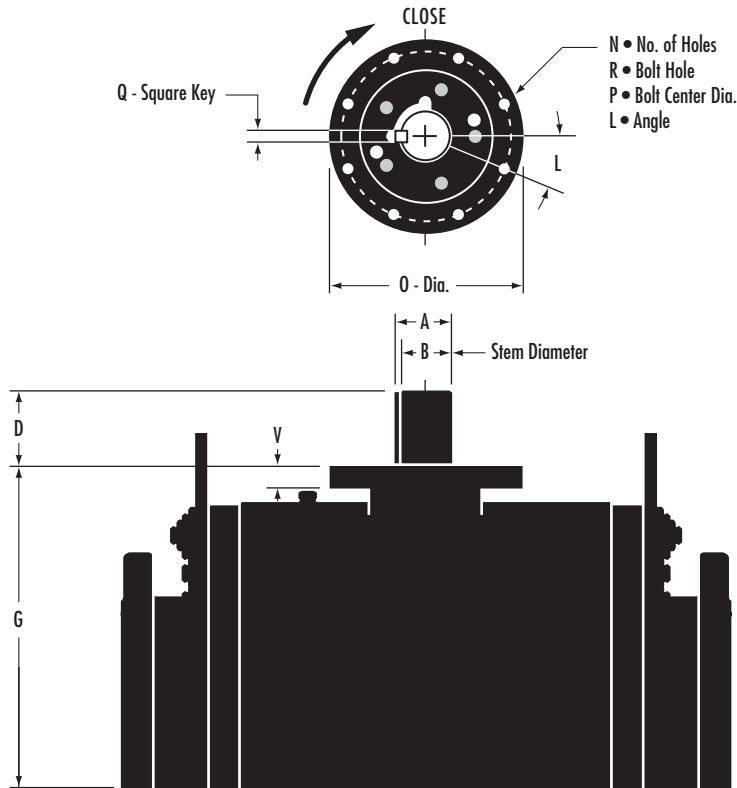


## Series 5700/6700 ■ Top Works Data

Data contained below is based on ball bore size and not end flange bore sizes. All dimensions are given in inches.

Dimensions may be changed without notice. Contact PBV® with **valve serial numbers** for exact dimensions.



### Class 150 And 300 (in.)

Size	2	3	4	6	8	10	12	14	16	18	20	24
A	1.142	1.595	1.791	1.997	2.630	2.630	2.630	3.264	3.264	3.882	3.882	3.879
B	0.979	1.373	1.570	1.765	2.362	2.362	2.362	2.950	2.950	3.540	3.540	3.540
D	1.53	1.83	1.80	3.64	3.49	3.56	3.51	4.36	4.36	5.30	5.29	5.49
G	4.87	5.94	7.35	8.48	10.13	11.96	13.75	14.31	15.89	19.76	20.20	23.34
L	45°	45°	22.5°	22.5°	22.5°	22.5°	22.5°	22.5°	22.5°	22.5°	22.5°	22.5°
N	4	4	4	8	8	8	8	8	8	8	8	8
O	6.90	8.00	8.75	10.00	11.22	11.22	11.22	11.40	11.40	11.40	11.40	16.00
P	5.50	6.50	7.50	8.86	9.84	9.84	9.84	10.00	10.00	10.00	10.00	14.02
Q	0.315	0.394	0.399	0.500	0.625	0.625	0.625	0.750	0.750	0.875	0.875	0.875
R	0.69	0.81	0.69	0.65	0.65	0.65	0.65	0.69	0.69	0.69	0.69	1.13
V	0.53	0.52	0.53	0.91	1.09	1.09	1.09	1.35	1.35	1.00	1.00	1.00

Size	30	36	40	44	48	52	56
A	6.554	6.554	*	*	*	*	*
B	5.900	5.900	*	*	*	*	*
D	7.90	7.90	*	*	*	*	*
G	30.08	33.83	*	*	*	*	*
L	22.5°	22.5°	*	*	*	*	*
N	8	8	*	*	*	*	*
O	22.62	22.62	*	*	*	*	*
P	20.31	20.31	*	*	*	*	*
Q	1.500	1.500	*	*	*	*	*
R	1.31	1.31	*	*	*	*	*
V	2.00	2.00	*	*	*	*	*

\*Contact your PBV® salesperson for additional sizes and materials.

## Series 5700/6700 ■ Top Works Data Continued

### Class 600 (in.)

Size	2	3	4	6	8	10	12	14	16	18	20	24
A	1.142	1.595	1.791	1.997	2.630	2.630	2.630	3.264	3.264	3.882	3.882	5.291
B	0.979	1.373	1.570	1.765	2.362	2.362	2.365	2.950	2.950	3.540	3.540	4.725
D	1.53	1.83	1.80	3.64	3.54	3.51	3.59	4.36	4.36	5.30	5.40	5.51
G	4.87	5.94	7.35	8.48	11.57	13.32	14.94	14.31	15.89	19.76	20.09	24.35
L	45°	45°	22.5°	22.5°	22.5°	22.5°	22.5°	22.5°	22.5°	22.5°	22.5°	22.5°
N	4	4	4	8	8	8	8	8	8	8	8	8
O	6.90	8.00	8.75	10.00	11.22	11.22	11.22	11.40	11.40	11.40	16.00	16.00
P	5.50	6.50	7.50	8.86	9.84	9.84	10.00	10.00	10.00	10.00	14.02	14.02
Q	0.315	0.394	0.394	0.500	0.625	0.625	0.625	0.750	0.750	0.875	0.875	1.250
R	0.69	0.81	0.69	0.65	0.65	0.65	0.69	0.69	0.69	0.69	1.13	1.13
V	0.53	0.52	0.53	0.91	1.09	1.09	1.09	1.35	1.35	1.00	1.00	2.00

Size	30	36	40	44	48	52	56
A	6.554	6.554	*	*	*	*	*
B	5.900	5.900	*	*	*	*	*
D	7.90	7.90	*	*	*	*	*
G	30.08	33.83	*	*	*	*	*
L	22.5°	22.5°	*	*	*	*	*
N	8	8	*	*	*	*	*
O	22.62	22.62	*	*	*	*	*
P	20.31	20.31	*	*	*	*	*
Q	1.500	1.500	*	*	*	*	*
R	1.31	1.31	*	*	*	*	*
V	2.00	2.00	*	*	*	*	*

\*Contact your PBV® salesperson for additional sizes and materials.

### Class 900 (in.)

Size	2	3	4	6	8	10	12	14	16	18	20	24
A	1.142	1.595	1.791	1.997	2.630	2.630	2.630	3.882	3.882	5.291	5.291	6.554
B	0.979	1.373	1.570	1.765	2.362	2.362	2.362	3.540	3.540	4.725	4.725	5.900
D	1.53	1.83	1.80	3.75	3.54	3.52	3.59	5.03	6.03	5.44	6.63	6.84
G	4.87	5.94	7.35	10.01	11.57	13.32	14.94	16.76	18.87	24.91	24.18	29.84
L	45°	45°	22.5°	22.5°	22.5°	22.5°	22.5°	22.5°	22.5°	22.5°	22.5°	22.5°
N	4	4	4	8	8	8	8	8	8	8	8	8
O	6.90	8.00	8.75	11.22	11.22	11.22	11.22	11.70	16.00	16.00	16.00	22.63
P	5.50	6.50	7.50	9.84	9.84	10.00	10.00	10.00	14.02	14.02	14.02	20.31
Q	0.315	0.394	0.394	0.500	0.625	0.625	0.625	0.880	0.880	1.250	1.250	1.250
R	0.69	0.81	0.69	0.69	0.65	0.69	0.69	0.69	1.12	1.12	1.12	1.12
V	0.53	0.52	0.53	1.25	1.09	1.09	1.09	1.54	1.54	2.00	1.50	2.00

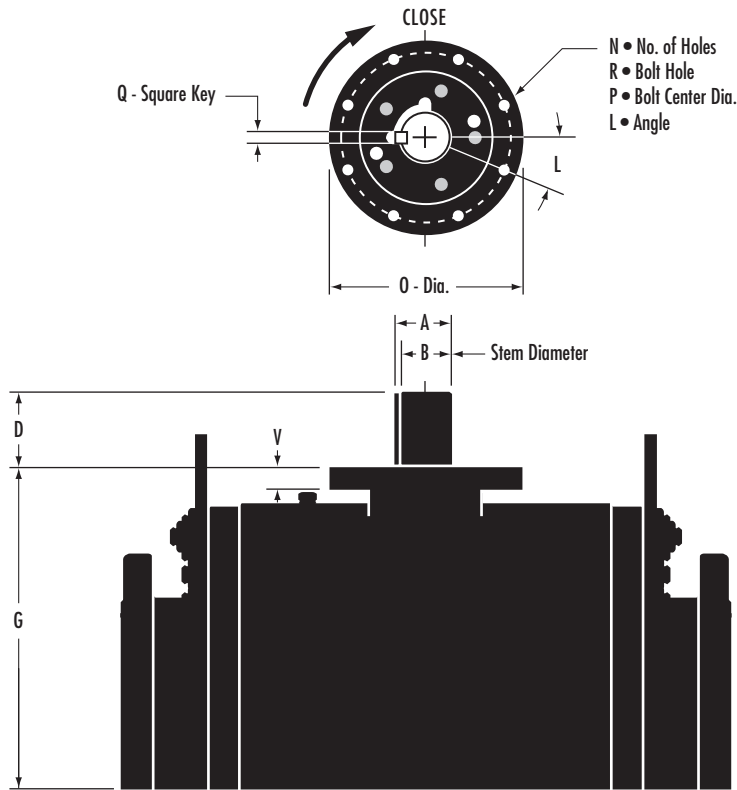
Contact your PBV® salesperson for additional sizes and materials.



## Series 5700/6700 ■ Top Works Data Continued

Data contained below is based on ball bore size and not end flange bore size. All dimensions are given in inches.

Dimensions may be changed without notice. Contact PBV® with **valve serial numbers** for exact dimensions.



### Class 1500 (in.)

Size	2	3	4	6	8	10	12	14	16	18	20	24
A	1.142	1.595	1.792	2.620	3.260	3.260	3.260	3.882	3.882	5.291	5.291	6.554
B	.980	1.375	1.572	2.362	2.950	2.950	2.950	3.540	3.540	4.725	4.725	5.900
D	1.68	2.03	2.09	3.87	5.87	5.87	5.86	6.03	6.03	5.44	6.63	6.84
G	5.47	6.42	7.88	10.67	12.88	15.48	17.83	18.83	20.50	24.91	27.46	33.69
L	45°	45°	22.5°	0°	22.5°	22.5°	22.5°	22.5°	22.5°	22.5°	22.5°	22.5°
N	4	4	4	8	8	8	8	8	8	8	8	8
O	7.00	8.00	8.80	11.22	13.19	13.19	13.19	16.00	16.00	16.00	16.00	22.62
P	5.50	6.50	7.50	9.84	11.78	11.78	11.78	14.02	14.02	14.02	14.02	20.31
Q	0.315	0.394	0.394	.615	0.750	0.750	0.750	0.880	0.880	1.250	1.250	1.250
R	0.69	0.81	0.69	0.65	0.78	0.78	0.78	1.12	1.12	1.12	1.12	1.31
V	0.49	0.52	1.08	1.25	1.35	1.35	1.35	1.54	1.54	2.00	1.50	2.00

### Class 2500 (in.)

Size	2	3	4	6	8	10	12
A	1.263	1.595	1.997	2.650	3.264	3.264	3.882
B	1.125	1.375	1.765	2.362	2.950	2.950	3.540
D	2.78	3.10	2.58	5.30	5.26	4.17	5.07
G	7.25	8.42	10.56	12.70	16.63	18.25	20.79
L	45°	22.5°	22.5°	22.5°	22.5°	22.5°	22.5°
N	4	8	8	8	8	8	8
O	8.00	10.00	8.80	11.22	13.00	11.70	16.50
P	6.75	8.86	7.50	10.00	11.25	10.00	14.02
Q	0.315	0.394	0.500	0.625	0.750	0.750	0.875
R	0.65	0.66	0.69	0.69	0.66	0.69	1.12
V	0.80	0.85	0.90	1.75	1.75	1.50	1.50