

# PBV



A Zy-Tech  
Global Industries  
Product

## Trunnion Supported Ball Valves



5700 Series  
6700 Series  
6800 Series

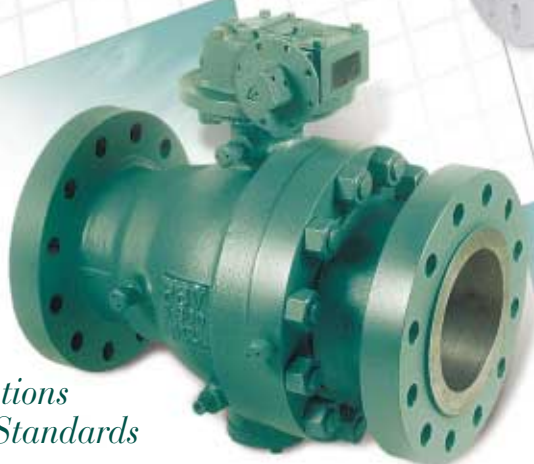
Trunnion Supported Ball Valves

API 6D Classes 150, 300, 600,  
900, 1500 and 2500.

Sizes: 2" - 56"

*Firesafe Design For  
Petroleum, Chemical  
and Gas Pipeline  
Applications.*

CE



*Their Options  
Are Our Standards*



Zy-Tech Global Ind., Inc.

# How To Order ■ Three-Piece Trunnion

## Specifying Series 5700/6700 Valve Figure Numbers

Example: 6" C-6710-71-2200-GV-NG ■ This number represents a 6" ANSI Class 150, Full Port, Three Piece Trunnion Ball Valve, Fire Tested with Emergency Grease Seals, with Raised Face, Carbon Steel Body Material, Carbon Steel Trim, Glass Filled TFE Seats, Viton® Seals, for NACE MR0175 2002 Service and Gear Operated.

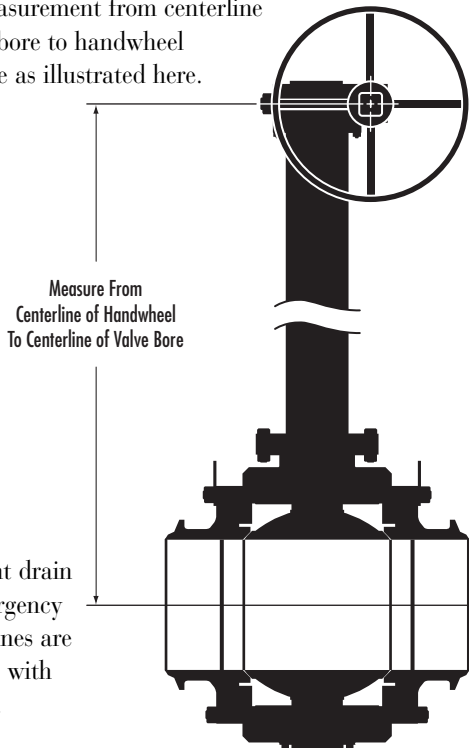
**C** - **6** **7** **10** - **7** **1** - **22** **00** - **G** **V** - **N** **G** -

Material Code	Port Config.	Valve Type	Pressure Class	Fire Tested	End Connect.	Body Material	Trim Material	Seat Material	Seal Material	NACE Option	Operator	Modifier Code
<b>C</b> Carbon Steel	<b>5</b> Standard	<b>7</b> Three Piece Trunnion Type	<b>10</b> 150 Class	<b>0</b> Non-Fire Tested w/No Emergency Grease Seals	<b>1</b> RF	<b>22</b> A105/ A350 LF2	<b>00</b> Same as Body	<b>B</b> Buna-N	<b>B</b> Buna-N	<b>N</b> NACE	<b>A</b> Actuator	<b>EXX</b> Stem Extension inches
<b>S</b> Stainless Steel	<b>6</b> Full		<b>30</b> 300 Class	<b>1</b> Non-Fire Tested w/Emergency Grease Seals	<b>2</b> Non-Standard	<b>25</b> LF2	<b>36†</b> 316SS	<b>G</b> Glass Filled PTFE	<b>V</b> Viton® A	<b>S</b> Standard	<b>B</b> Bare Stem	<b>XXX</b> Modifier Code
			<b>60</b> 600 Class	<b>3</b> Non-Fire Tested w/Emergency Grease Seals	<b>3</b> RTJ	<b>34</b> 304SS	<b>71</b> Monel	<b>N</b> Nylon	<b>R</b> Low Temp*		<b>G</b> Gear Operator	
			<b>90</b> 900 Class	<b>4</b> Fire Tested w/No Emergency Grease Seals	<b>4</b> RF x WE	<b>36</b> 316SS	<b>18</b> 17-4PH	<b>R</b> Delrin	<b>E</b> EPDM		<b>L</b> Lever	
			<b>15</b> 1500 Class	<b>5</b> Fire Tested w/No Emergency Grease Seals	<b>5</b> WE	<b>81</b> ENP Plated		<b>T</b> Virgin TFE	<b>G*</b> Lip Seal TFE			
			<b>25</b> 2500 Class	<b>6</b> Fire Tested w/Emergency Grease Seals	<b>6</b> RTJ x WE	<b>82</b> Overlayered		<b>V</b> Viton® A	<b>W**</b> Viton® B			
				<b>7</b> Fire Tested w/Emergency Grease Seals		<b>55</b> Duplex SS		<b>P</b> Peek	<b>Z</b> Special			
						<b>26</b> A350 LF3		<b>E</b> EPDM				
								<b>D</b> Devlon				
								<b>Z</b> Special				

\*For Low Temperature Service. \*\*For Explosive Decompression Service. Other body, trim, seat and seal materials are available upon request. †For "36" trim, large diameter and class 900 and higher, 17-4PH is standard for ball and stem. All valves 6" and larger have 17-4PH stems when "36" trim is specified.

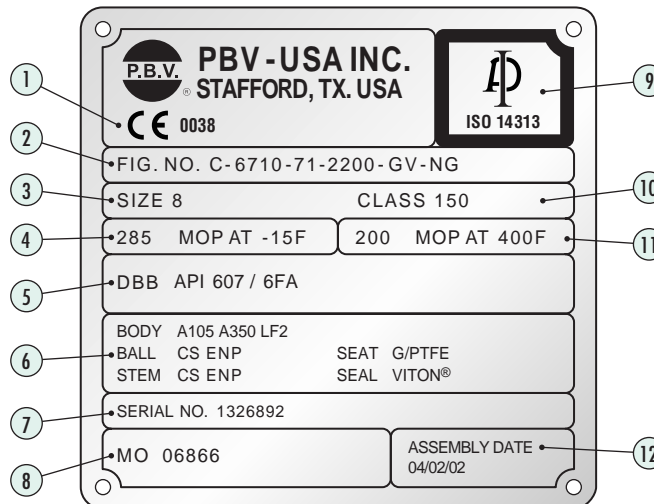
## How To Measure For PBV®-USA Stem Extensions

Take measurement from centerline of valve bore to handwheel centerline as illustrated here.



## How to Read a PBV®-USA Name Plate

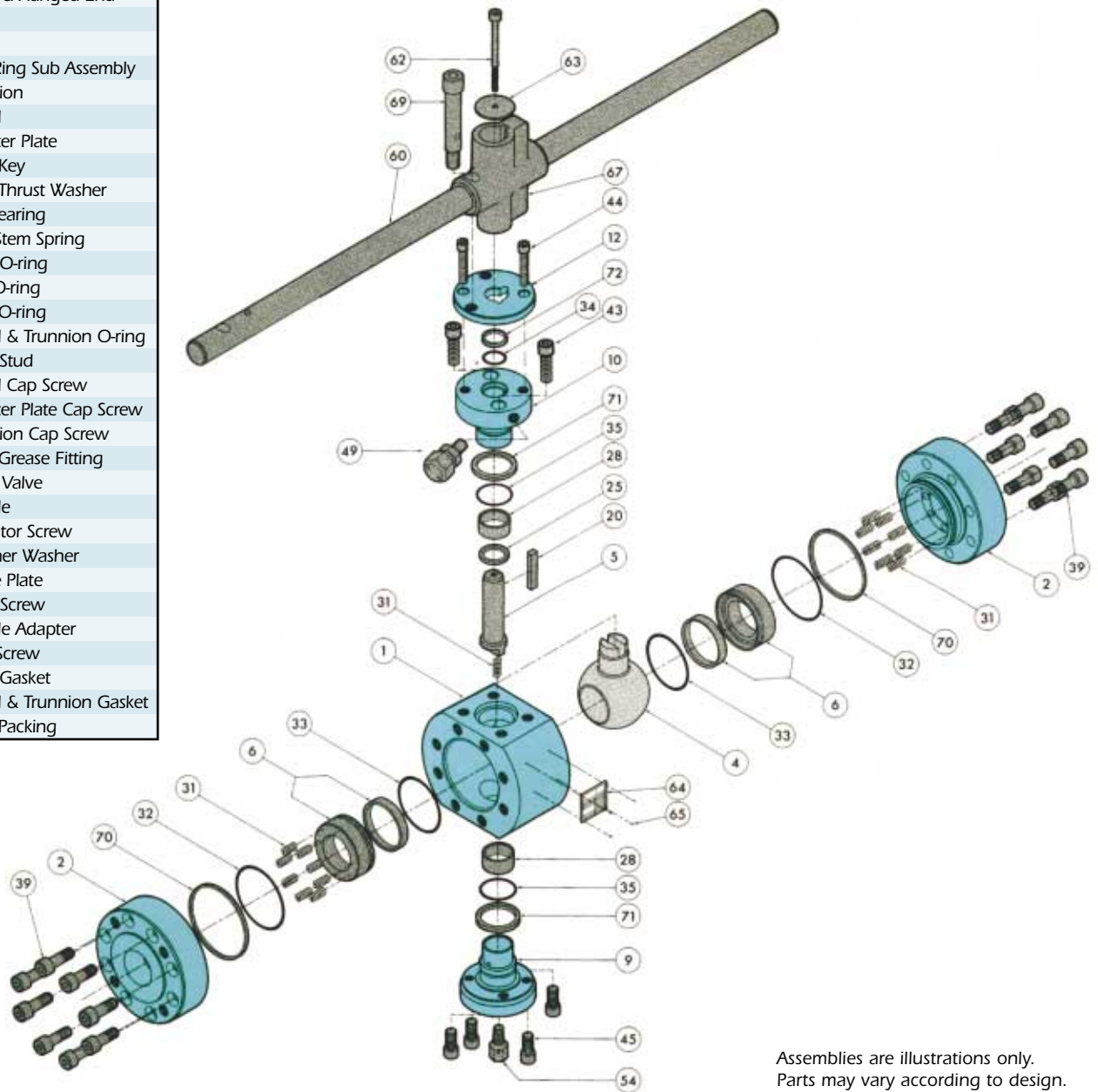
Item	Description
1	CE mark and notified body required for delivery to EEC.
2	Figure number describes valve construction.
3	Nominal pipe size in inches
4	Maximum operating pressure at minimum valve design temp.
5	Valve features double block and bleed (DBB) and firesafe standards.
6	Body and trim materials
7	PBV®-USA serial number
8	PBV®-USA manufacturing order
9	API 6D or 6A monogram stamp
10	ANSI Pressure Class
11	Maximum operating pressure at maximum valve design temperature.
12	Date of assembly MM/DD/YY



# Parts for Low Pressure Small Size Diameter Valves

Series 6700 ■ 2"-4" Class 150 ■ 2"-3" Class 300

No.	Description
1	Body
2	Closure/Flanged End
4	Ball
5	Stem
6	Seat Ring Sub Assembly
9	Trunnion
10	Gland
12	Adapter Plate
20	Stem Key
25	Stem Thrust Washer
28	Ball Bearing
31	Seat/Stem Spring
32	Body O-ring
33	Seat O-ring
34	Stem O-ring
35	Gland & Trunnion O-ring
39	Body Stud
43	Gland Cap Screw
44	Adapter Plate Cap Screw
45	Trunnion Cap Screw
49	Stem Grease Fitting
54	Drain Valve
60	Handle
62	Indicator Screw
63	Retainer Washer
64	Name Plate
65	Drive Screw
67	Handle Adapter
69	Lock Screw
70	Body Gasket
71	Gland & Trunnion Gasket
72	Stem Packing



Assemblies are illustrations only.  
Parts may vary according to design.

## Small Bore Valve Design Utilizes Tapped Holes In The End Flanges To Maintain API 6D Face-to-Face Specifications

Small diameter trunnion ball valves often require tapped holes on the end flanges in order to maintain the face to face dimensions specified in API 6D. The following full bore valves have tapped holes in accordance with API 6D instead of straight holes on both ends. The recommended stud and cap screw length are listed at right.

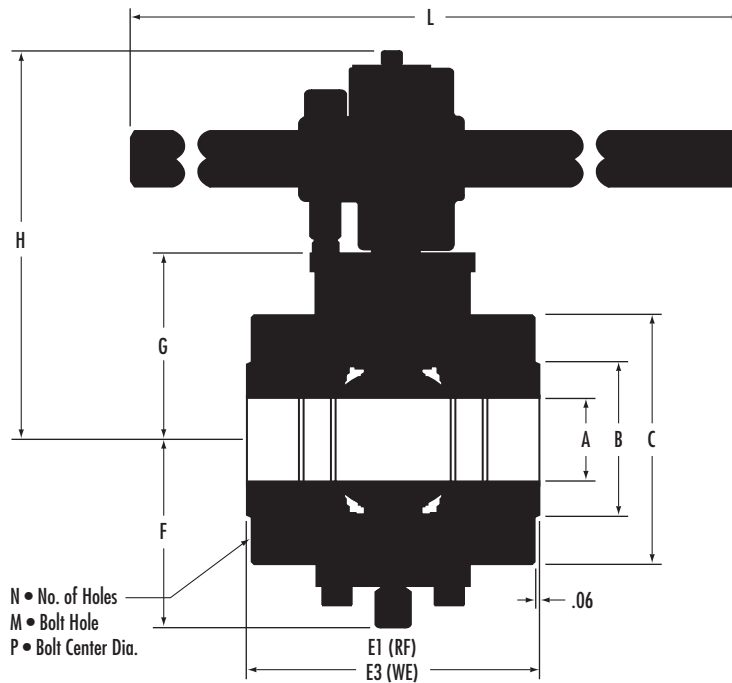
## Stud & Cap Screw Length

Bore Size	Stud Bolt Size	Cap Screw	Quantity
2-150	5/8-11UNC X 2.25	5/8-11UNC X 1.38	4
3-150	5/8-11UNC X 2.38	5/8-11UNC X 1.50	4
4-150	5/8-11UNC X 2.50	5/8-11UNC X 1.75	8
2-300	5/8-11UNC X 2.50	5/8-11UNC X 1.63	8
3-300	3/4-10UNC X 3.38	3/4-10UNC X 2.38	8
4-300	3/4-10UNC X 3.50	3/4-10UNC X 2.63	8



# Dimensional Data for Low Pressure Small Size Diameter Valves

## Series 6700 ■ 2"-4" Class 150 ■ 2" Class 300



### Class 150 2"FP-4"FP (in.)

Size	A	B	C	D1	E1-RF	E3-WE	F	G	H	N	M	P	L
2x2	2.00 x 2.00	3.62	6.00	NA	7.00	8.50	4.89	4.87	9.55	4	5/8-11UNC	4.75	30
3x2	3.00 x 2.00	5.00	7.50	NA	8.00	11.12	4.89	4.87	9.55	4	5/8-11UNC	6.00	30
3x3	3.00 x 3.00	5.00	7.87	NA	8.00	11.12	5.87	5.94	10.92	4	5/8-11UNC	6.00	30
4x3	4.00 x 3.00	6.19	9.00	NA	9.00	12.00	5.87	5.94	10.92	8	5/8-11UNC	7.50	30
4x4	4.00 x 4.00	6.19	9.49	NA	9.00	12.00	7.30	7.35	12.93	8	5/8-11UNC	7.50	48

NOTES: Sizes 6"x6" and larger are gear operated. Dimension "F" includes drain plug and support brackets.

### Class 300 2"FP (in.)

Size	A	B	C	D1	E1-RF	E3-WE	F	G	H	N	M	P	L
2x2	2.00 x 2.00	3.62	6.50	NA	8.50	8.50	4.89	4.87	9.55	8	5/8-11UNC	5.00	30

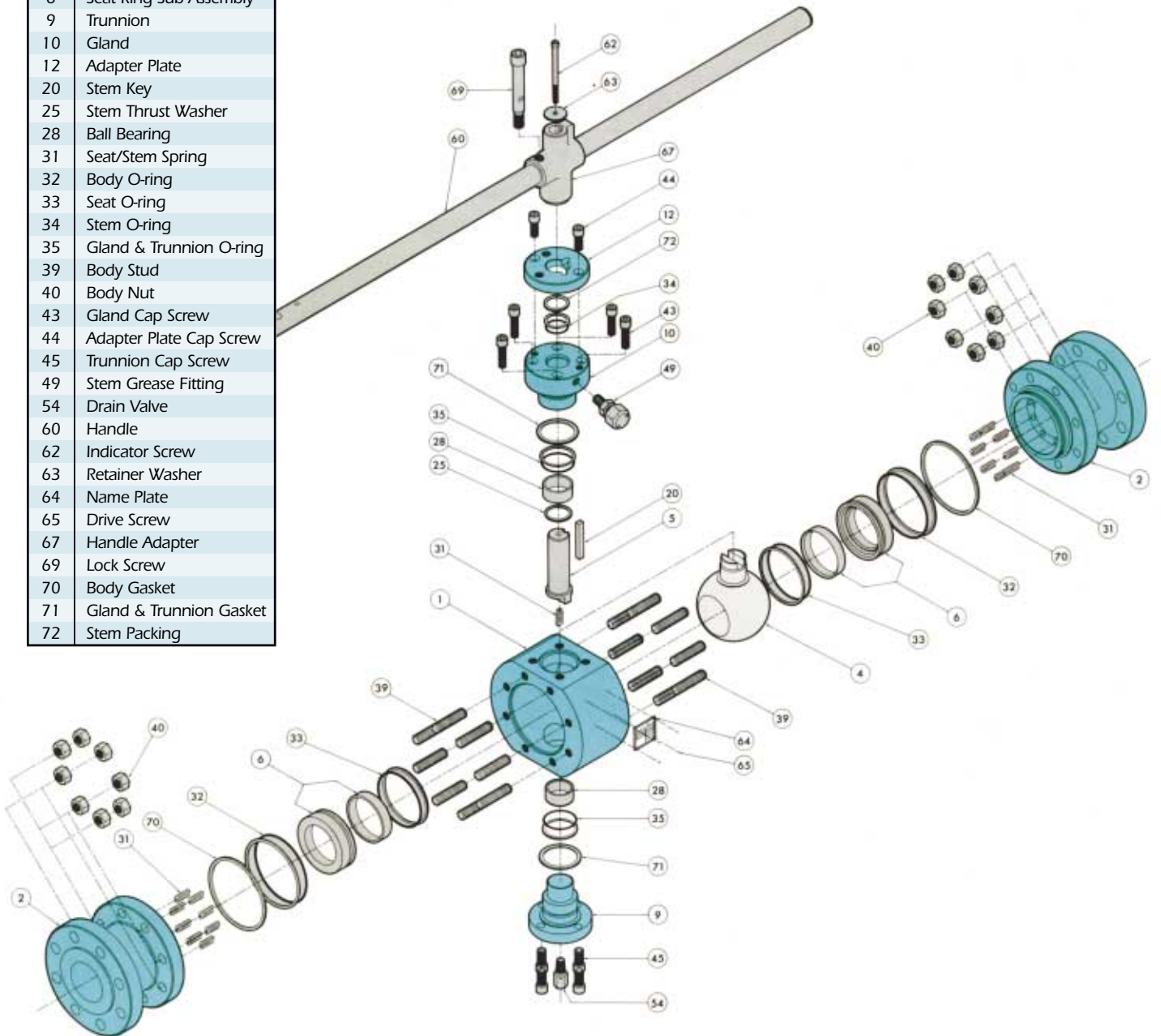
NOTES: Sizes 6"x6" and larger are gear operated. Dimension "F" includes drain plug and support brackets.



# Parts for High Pressure Small Size Diameter Valves

Series 5700/6700 ■ 2"-4" Class 600, 900, 1500 and 2500 ■ 3"-4" Class 300

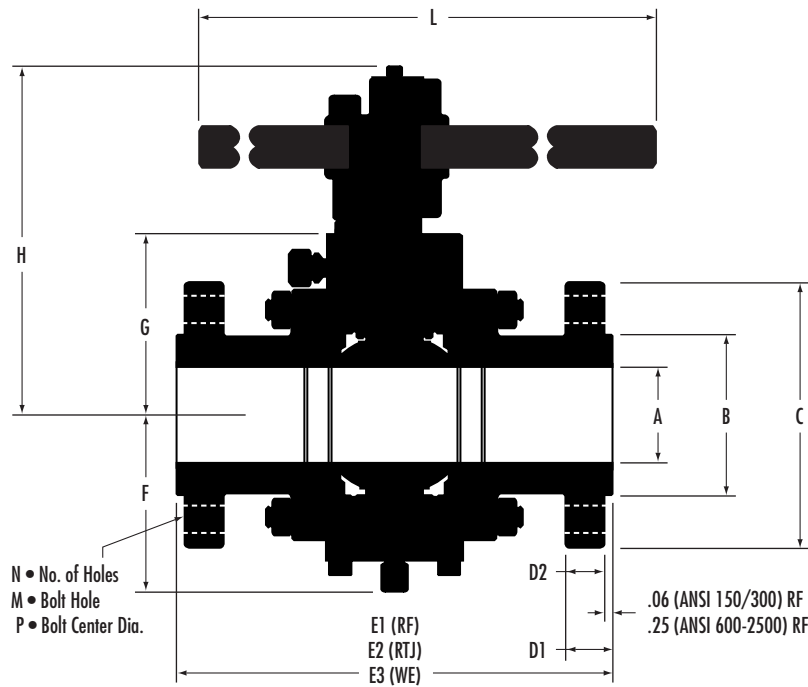
No.	Description
1	Body
2	Closure/Flanged End
4	Ball
5	Stem
6	Seat Ring Sub Assembly
9	Trunnion
10	Gland
12	Adapter Plate
20	Stem Key
25	Stem Thrust Washer
28	Ball Bearing
31	Seat/Stem Spring
32	Body O-ring
33	Seat O-ring
34	Stem O-ring
35	Gland & Trunnion O-ring
39	Body Stud
40	Body Nut
43	Gland Cap Screw
44	Adapter Plate Cap Screw
45	Trunnion Cap Screw
49	Stem Grease Fitting
54	Drain Valve
60	Handle
62	Indicator Screw
63	Retainer Washer
64	Name Plate
65	Drive Screw
67	Handle Adapter
69	Lock Screw
70	Body Gasket
71	Gland & Trunnion Gasket
72	Stem Packing



These items may also be supplied with a locking worm gear operator. Assemblies are illustrations only. Parts may vary according to design.

# Dimensional Data for High Pressure Small Size Diameter Valves

## Series 5700/6700 ■ 2"FP-6" RP ■ Class 150, 300 and 600



### Class 150 6"RP (in.)

Size	A	B	C	D1	E1-RF	E2-RTJ	E3-WE	F	G	H	N	M	P	L
6x4	6.00x4.00	8.50	11.00	1.00	15.50	16.00	18.00	7.30	7.35	12.93	8	0.88	9.50	48

NOTES: Sizes 6"x6" and larger are gear operated. Dimension "F" includes drain plug and support brackets.

### Class 300 3"RP-6"RP (in.)

Size	A	B	C	D1	E1-RF	E2-RTJ	E3-WE	F	G	H	N	M	P	L
3x2	3.00x2.00	5.00	8.25	1.12	11.12	11.75	11.12	4.89	4.87	9.55	8	3/4-10UNC	6.62	30
3x3	3.00x3.00	5.00	8.25	1.12	11.12	11.75	11.12	5.87	5.94	10.92	8	3/4-10UNC	6.62	30
4x3	4.00x3.00	6.19	10.00	1.25	12.00	12.62	12.00	5.87	5.94	10.92	8	3/4-10UNC	7.88	30
4x4	4.00x4.00	6.19	10.00	1.25	12.00	12.62	12.00	7.30	7.35	12.93	8	3/4-10UNC	7.88	48
6x4	6.00x4.00	8.50	12.50	1.44	15.88	16.50	18.00	7.30	7.35	12.93	12	3/4-10UNC	10.62	48

NOTES: Sizes 6"x6" and larger are gear operated. Dimension "F" includes drain plug and support brackets.

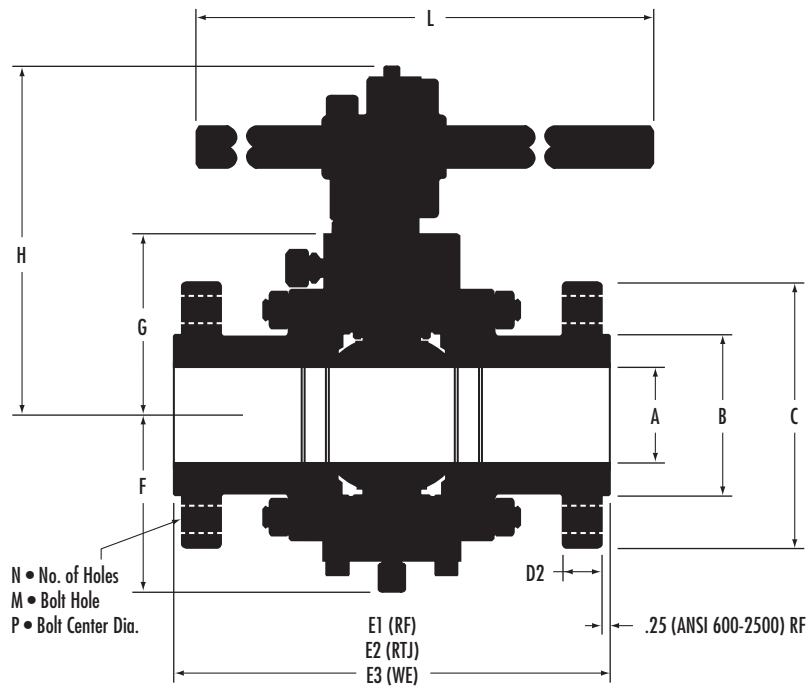
### Class 600 2"FP-6"RP (in.)

Size	A	B	C	D2	E1-RF	E2-RTJ	E3-WE	F	G	H	N	M	P	L
2x2	2.00x2.00	3.62	6.50	1.00	11.50	11.62	11.50	4.89	4.87	9.55	8	.75	5.00	30
3x2	3.00x2.00	5.00	8.25	1.25	14.00	14.12	14.00	4.89	4.87	9.55	8	0.88	6.62	30
3x3	3.00x3.00	5.00	8.25	1.25	14.00	14.12	14.00	5.87	5.94	10.92	8	0.88	6.62	30
4x3	4.00x3.00	6.19	10.75	1.50	17.00	17.12	17.00	5.87	5.94	10.92	8	1.00	8.50	30
4x4	4.00x4.00	6.19	10.75	1.50	17.00	17.12	17.00	7.30	7.35	12.93	8	1.00	8.50	48
6x4	6.00x4.00	8.50	14.00	1.88	22.00	22.12	22.00	7.30	7.35	12.93	12	1.12	11.50	48

NOTES: Sizes 6"x6" and larger are gear operated. Dimension "F" includes drain plug and support brackets.

# Dimensional Data for High Pressure Small Size Diameter Valves

## Series 5700/6700 ■ 2"FP-12"FP ■ Class 900, 1500 and 2500



### Class 900 2"FP-6"RP (in.)

Size	A	B	C	D2	E1-RF	E2-RTJ	E3-WE	F	G	H	N	M	P	L
2x2	2.00x2.00	3.62	8.50	1.50	14.50	14.62	14.50	4.89	4.87	9.55	8	1.00	6.50	30
3x2	3.00x2.00	5.00	9.50	1.50	15.00	15.12	15.00	4.89	4.87	9.55	8	1.00	7.50	30
3x3	3.00x3.00	5.00	9.50	1.50	15.00	15.12	15.00	5.87	5.94	10.92	8	1.00	7.50	30
4x3	4.00x3.00	6.19	11.50	1.75	18.00	18.12	18.00	5.87	5.94	10.92	8	1.25	9.25	30
4x4	4.00x4.00	6.19	11.50	1.75	18.00	18.12	18.00	7.30	7.35	12.93	8	1.25	9.25	48
6x4	6.00x4.00	8.50	15.00	2.19	24.00	24.12	24.00	7.30	7.35	12.93	12	1.25	12.50	48

NOTES: Sizes 6"x6" and larger are gear operated. Dimension "F" includes drain plug and support brackets.

### Class 1500 2"FP-6"RP (in.)

Size	A	B	C	D2	E1-RF	E2-RTJ	E3-WE	F	G	H	N	M	P	L
2x2	2.00x2.00	3.62	8.50	1.50	14.50	14.62	14.50	5.32	5.47	10.30	8	1.00	6.50	30
3x2	3.00x2.00	5.00	10.50	1.88	18.50	18.62	18.50	5.32	5.47	10.30	8	1.25	8.00	30
3x3	3.00x3.00	5.00	10.50	1.88	18.50	18.62	18.50	6.89	6.42	11.60	8	1.25	8.00	30
4x3	4.00x3.00	6.19	12.25	2.12	21.50	21.62	21.50	6.89	6.42	11.60	8	1.38	9.50	30
4x4	4.00x4.00	6.19	12.25	2.12	21.50	21.62	21.50	8.14	7.88	13.75	8	1.38	9.50	48
6x4	6.00x4.00	8.50	15.50	3.25	27.75	28.00	27.75	8.14	7.88	13.75	12	1.50	12.50	48

NOTES: Sizes 6"x6" and larger are gear operated. Dimension "F" includes drain plug and support brackets.

### Class 2500 2"FP-6"RP (in.)

Size	A	B	C	D2	E1-RF	E2-RTJ	E3-WE	F	G	H	N	M	P	L
2x2	1.75x1.75	3.62	9.25	2.00	17.75	17.87	17.75	6.39	7.25	13.19	8	1.12	6.75	30
3x2	2.50x1.75	5.00	12.00	2.62	22.75	23.00	22.75	6.39	7.25	13.19	8	1.38	9.00	30
3x3	2.50x2.50	5.00	12.00	2.62	22.75	23.00	22.75	8.20	8.42	14.68	8	1.38	9.00	30
4x3	3.50x2.50	6.19	14.00	3.00	26.50	26.88	26.50	8.20	8.42	14.68	8	1.63	10.75	30
4x4	3.50x3.50	6.19	14.00	3.00	26.50	26.88	26.50	9.43	10.56	16.93	8	1.63	10.75	48
6x4	5.25x3.50	8.50	19.00	4.25	36.00	36.50	36.00	9.43	10.56	16.93	8	2.12	14.50	48

NOTES: Dimension "F" includes drain plug and support brackets.

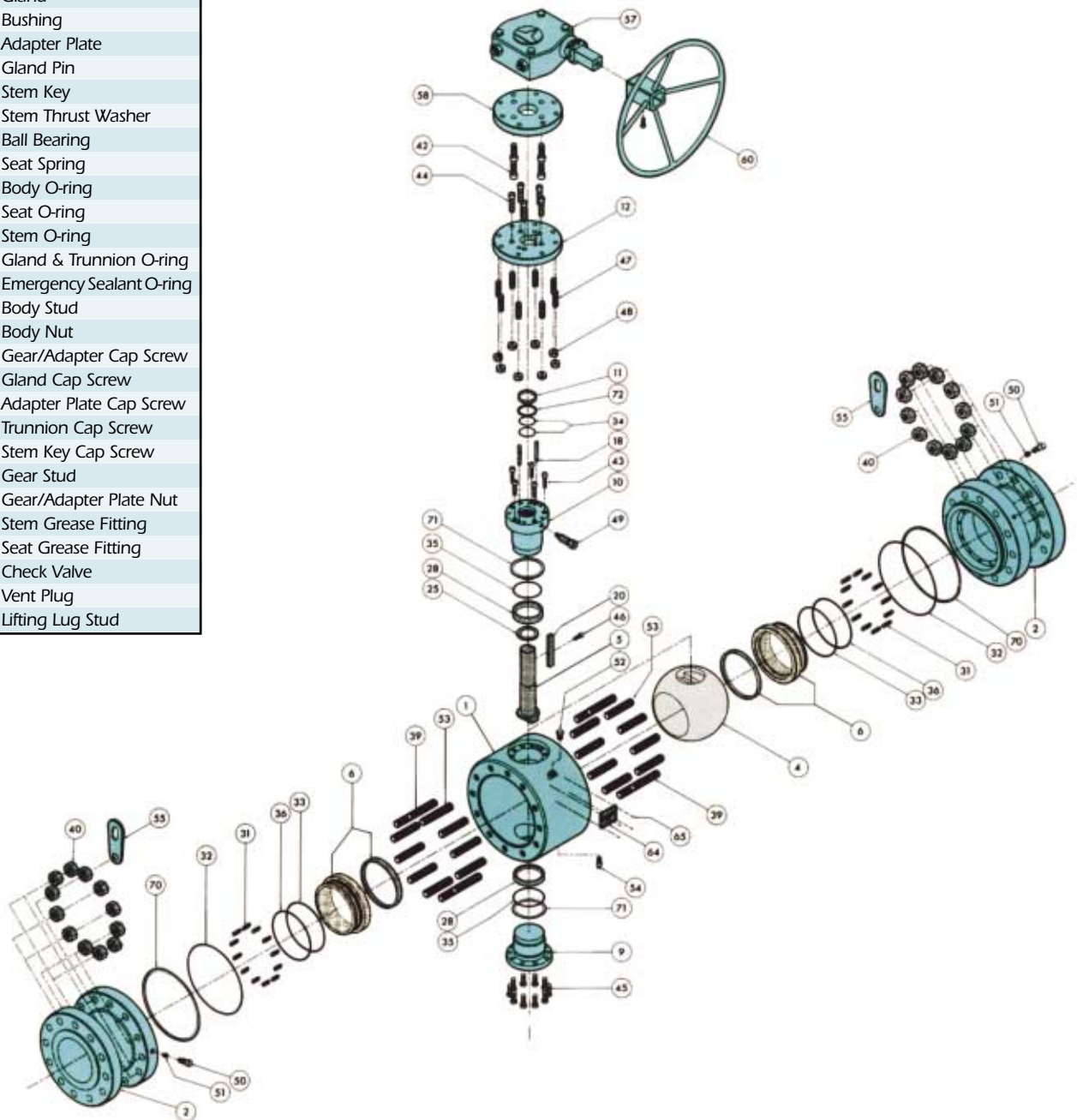
## Parts for Mid Size Diameter Valves

Series 5700 ■ 6"-14"RP Class 150, 300, 600, 900 and 1500 ■ 6"-12"RP Class 2500  
 Series 6700 ■ 6"-12"FP Class 150, 300, 600, 900 and 1500 ■ 6"-10"FP Class 2500

No.	Description
1	Body
2	Closure/Flanged End
4	Ball
5	Stem
6	Seat Ring Sub Assembly
9	Trunnion
10	Gland
11	Bushing
12	Adapter Plate
18	Gland Pin
20	Stem Key
25	Stem Thrust Washer
28	Ball Bearing
31	Seat Spring
32	Body O-ring
33	Seat O-ring
34	Stem O-ring
35	Gland & Trunnion O-ring
36	Emergency Sealant O-ring
39	Body Stud
40	Body Nut
42	Gear/Adapter Cap Screw
43	Gland Cap Screw
44	Adapter Plate Cap Screw
45	Trunnion Cap Screw
46	Stem Key Cap Screw
47	Gear Stud
48	Gear/Adapter Plate Nut
49	Stem Grease Fitting
50	Seat Grease Fitting
51	Check Valve
52	Vent Plug
53	Lifting Lug Stud

No.	Description
54	Drain Valve
55	Lifting Lug
57	Worm Gear Operator
58	Worm Gear Adapter Plate
60	Handwheel

No.	Description
64	Name Plate
65	Drive Screw
70	Body Gasket
71	Gland & Trunnion Gasket
72	Stem Packing

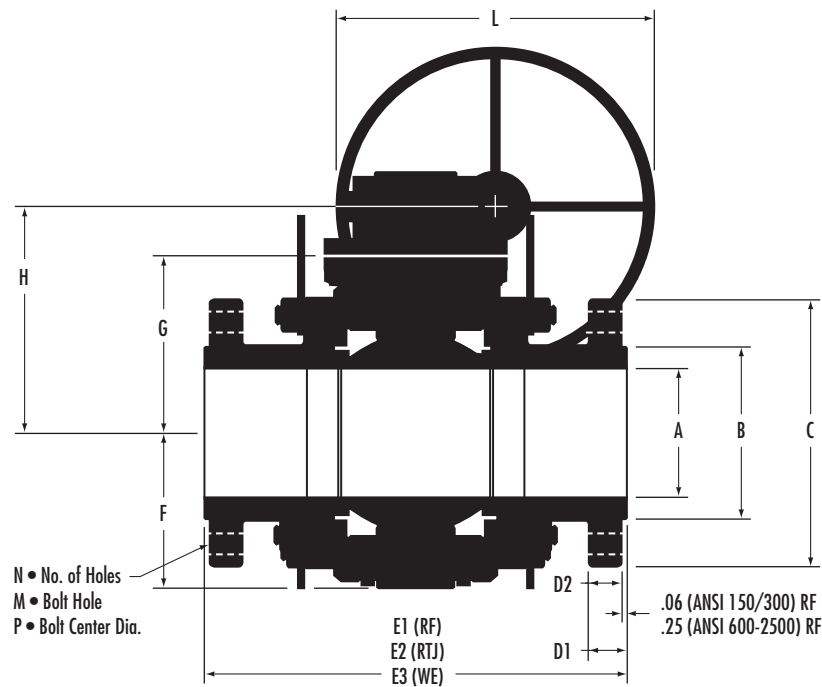


Sizes 6" and 8" may be supplied with locking levers.  
 Sizes 10" and 12" are supplied with support feet, not shown.  
 Assemblies are illustrations only. Parts may vary according to design.



# Dimensional Data for Mid Size Diameter Valves

## Series 5700/6700 ■ 6"FP-14"RP ■ Class 150, 300 and 600



### Class 150 6"FP-14"RP (in.)

Size	A	B	C	D1	E1-RF	E2-RTJ	E3-WE	F	G	H	N	M	P	L
6x6	6.00x6.00	8.50	11.00	1.00	15.50	16.00	18.00	7.25	8.48	10.63	8	0.88	9.50	24
8x6	8.00x6.00	10.62	13.50	1.12	18.00	18.50	20.50	7.25	8.48	10.63	8	0.88	11.75	24
8x8	8.00x8.00	10.62	13.50	1.12	18.00	18.50	20.50	8.72	10.13	12.26	8	0.88	11.75	24
10x8	10.00x8.00	12.75	16.00	1.19	21.00	21.50	22.00	8.72	10.13	12.26	12	1.00	14.25	24
10x10	10.00x10.00	12.75	16.00	1.19	21.00	21.50	22.00	10.56	11.96	14.09	12	1.00	14.25	24
12x10	12.00x10.00	15.00	19.00	1.25	24.00	24.50	25.00	10.56	11.96	14.09	12	1.00	17.00	24
12x12	12.00x12.00	15.00	19.00	1.25	24.00	24.50	25.00	12.26	13.75	15.88	12	1.00	17.00	24
14x12	13.25x12.00	16.25	21.00	1.38	27.00	27.50	30.00	12.26	13.75	15.88	12	1.12	18.75	24

NOTES: Sizes 6"x6" and larger are gear operated. Dimension "F" includes drain plug and support brackets.

### Class 300 6"FP-14"RP (in.)

Size	A	B	C	D1	E1-RF	E2-RTJ	E3-WE	F	G	H	N	M	P	L
6x6	6.00x6.00	8.50	12.50	1.44	15.88	16.50	18.00	7.25	8.48	10.63	12	0.88	10.62	24
8x6	8.00x6.00	10.62	15.00	1.62	19.75	20.38	20.50	7.25	8.48	10.63	12	1.00	13.00	24
8x8	8.00x8.00	10.62	15.00	1.62	19.75	20.38	20.50	8.72	10.13	12.26	12	1.00	13.00	24
10x8	10.00x8.00	12.75	17.50	1.88	22.38	23.00	22.00	8.72	10.13	12.26	16	1.12	15.25	24
10x10	10.00x10.00	12.75	17.50	1.88	22.38	23.00	22.00	10.56	11.96	14.09	16	1.12	15.25	24
12x10	12.00x10.00	15.00	20.50	2.00	25.50	26.12	25.00	10.56	11.96	14.09	16	1.25	17.75	24
12x12	12.00x12.00	15.00	20.50	2.00	25.50	26.12	25.00	12.26	13.75	15.88	16	1.25	17.75	24
14x12	13.25x12.00	16.25	23.00	2.12	30.00	30.62	30.00	12.26	13.75	15.88	20	1.25	20.25	30

NOTES: Sizes 6"x6" and larger are gear operated. Dimension "F" includes drain plug and support brackets.

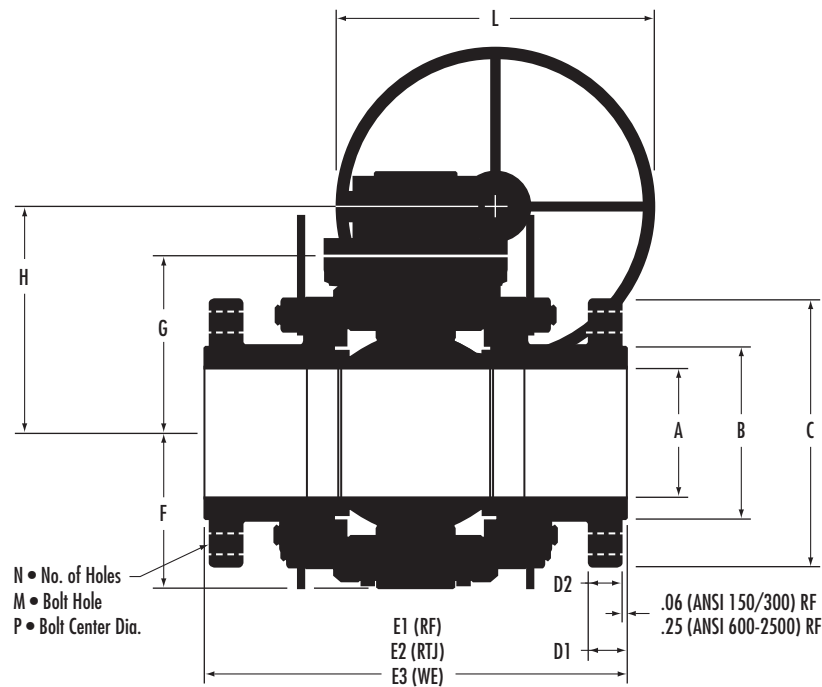
### Class 600 6"FP-14"RP (in.)

Size	A	B	C	D2	E1-RF	E2-RTJ	E3-WE	F	G	H	N	M	P	L
6x6	6.00x6.00	8.50	14.00	1.88	22.00	22.12	22.00	7.25	8.48	10.63	12	1.12	11.50	24
8x6	8.00x6.00	10.62	16.50	2.19	26.00	26.12	26.00	7.25	8.48	10.63	12	1.25	13.75	24
8x8	8.00x8.00	10.62	16.50	2.19	26.00	26.12	26.00	10.00	11.57	13.70	12	1.25	13.75	24
10x8	10.00x8.00	12.75	20.00	2.50	31.00	31.12	31.00	10.00	11.57	13.70	16	1.38	17.00	24
10x10	10.00x10.00	12.75	20.00	2.50	31.00	31.12	31.00	11.41	13.32	15.45	16	1.38	17.00	24
12x10	12.00x12.00	15.00	22.00	2.62	33.00	33.12	33.00	11.41	13.32	15.45	20	1.38	19.25	24
12x12	12.00x12.00	15.00	22.00	2.62	33.00	33.12	33.00	13.86	14.94	21.52	20	1.38	19.25	30
14x12	13.25x12.00	16.25	23.75	2.75	35.00	35.12	35.00	13.86	14.94	21.52	20	1.50	20.75	30

NOTES: Sizes 6"x6" and larger are gear operated. Dimension "F" includes drain plug and support brackets.

## Dimensional Data for Mid Size Diameter Valves

### Series 5700/6700 ■ 6"FP-14"RP ■ Class 900 and 1500



#### Class 900 6"FP-14"RP (in.)

Size	A	B	C	D2	E1-RF	E2-RTJ	E3-WE	F	G	H	N	M	P	L
6x6	6.00x6.00	8.50	15.00	2.19	24.00	24.12	24.00	8.62	10.01	12.14	12	1.25	12.50	24
8x6	8.00x6.00	10.62	18.50	2.50	29.00	29.12	29.00	8.62	10.01	12.14	12	1.50	15.50	24
8x8	8.00x8.00	10.62	18.50	2.50	29.00	29.12	29.00	10.00	11.57	13.70	12	1.50	15.50	24
10x8	10.00x8.00	12.75	21.50	2.75	33.00	33.12	33.00	10.00	11.57	13.70	16	1.50	18.50	24
10x10	10.00x10.00	12.75	21.50	2.75	33.00	33.12	33.00	11.74	13.32	19.90	16	1.50	18.50	30
12x10	12.00x12.00	15.00	24.00	3.12	38.00	38.12	38.00	11.74	13.32	19.90	20	1.50	21.00	30
12x12	12.00x12.00	15.00	24.00	3.12	38.00	38.12	38.00	13.86	14.94	21.52	20	1.50	21.00	30
14x12	12.75x12.00	16.25	25.25	3.38	40.50	40.88	40.50	13.86	14.94	21.52	20	1.62	22.00	30

NOTES: Sizes 6"x6" and larger are gear operated. Dimension "F" includes drain plug and support brackets.

#### Class 1500 6"FP-14"RP (in.)

Size	A	B	C	D2	E1-RF	E2-RTJ	E3-WE	F	G	H	N	M	P	L
6x6	5.75x5.75	8.50	15.50	3.25	27.75	28.00	27.75	9.72	10.67	12.80	12	1.50	12.50	24
8x6	7.63x5.75	10.62	19.00	3.62	32.75	33.13	32.75	9.72	10.67	12.80	12	1.75	15.50	24
8x8	7.63x7.63	10.62	19.00	3.62	32.75	33.13	32.75	12.16	12.88	19.46	12	1.75	15.50	30
10x8	9.50x7.63	12.75	23.00	4.25	39.00	39.38	39.00	12.16	12.88	19.46	12	2.00	19.00	30
10x10	9.50x9.50	12.75	23.00	4.25	39.00	39.38	39.00	14.40	15.48	22.06	12	2.00	19.00	30
12x10	11.38x9.50	15.00	26.50	4.88	44.50	45.12	44.50	14.40	15.48	22.06	16	2.12	22.50	30
12x12	11.38x11.38	15.00	26.50	4.88	44.50	45.12	44.50	16.98	17.83	24.41	16	2.12	22.50	30
14x12	12.50x11.38	16.25	29.50	5.25	49.50	50.25	49.50	16.98	17.83	24.41	16	2.38	25.00	30

NOTES: Sizes 6"x6" and larger are gear operated. Dimension "F" includes drain plug and support brackets.

#### Class 2500 6"FP-12"RP (in.)

Size	A	B	C	D2	E1-RF	E2-RTJ	E3-WE	F	G	H	N	M	P	L
6x6	5.25x5.25	8.50	19.00	4.25	36.00	36.50	36.00	12.74	12.70	19.28	8	2.12	14.50	30
8x6	7.14x5.25	10.62	21.75	5.00	40.25	40.87	40.25	12.74	12.70	19.28	12	2.12	17.25	30
8x8	7.14 x 7.14	10.62	21.75	5.00	40.25	40.87	40.25	15.22	16.63	18.76	12	2.12	17.25	30
10x8	8.88x7.14	12.75	26.50	6.50	50.00	50.88	50.00	15.22	16.63	18.76	12	2.62	21.25	30
10x10	8.88x8.88	12.75	26.50	6.50	50.00	50.88	50.00	19.73	18.25	24.83	12	2.62	21.25	30
12x10	10.50x8.88	15.00	30.00	7.25	56.00	56.88	56.00	22.06	18.25	24.83	12	2.88	24.38	30
12x12	10.50x10.50	15.00	30.00	7.25	56.00	56.88	56.00	22.06	20.79	27.69	12	2.88	24.38	30

NOTES: Dimension "F" includes drain plug and support brackets.

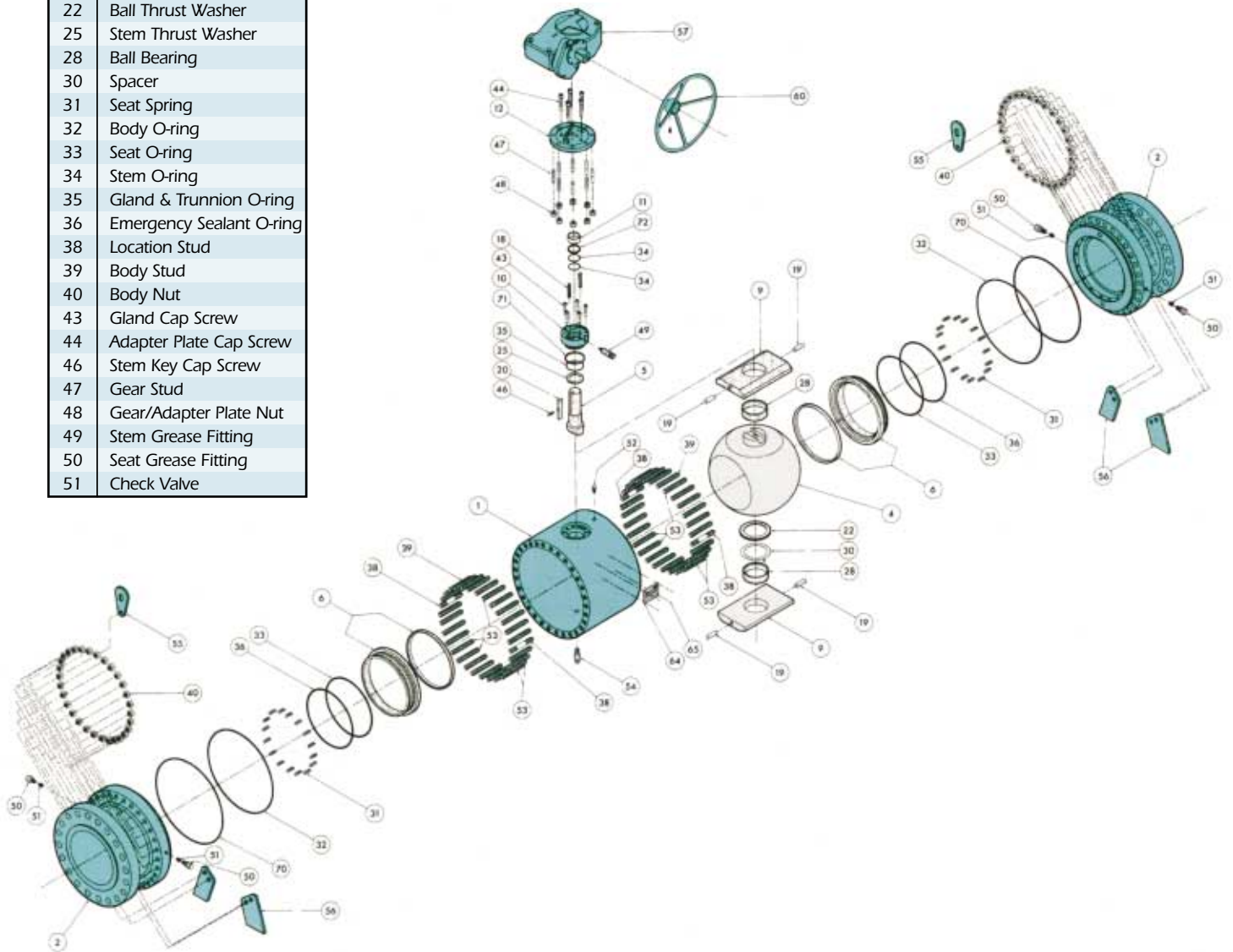
# Parts for Large Size Diameter Valves

Series 5700/6700 ■ 14"FP-56"FP Class 150, 300, 600, 900 and 1500 ■ 12" Class 2500

No.	Description
1	Body
2	Closure/Flanged End
4	Ball
5	Stem
6	Seat Ring Sub Assembly
9	Bearing Retainer
10	Gland
11	Bushing
12	Adapter Plate
18	Gland Pin
19	Closure Pin
20	Stem Key
22	Ball Thrust Washer
25	Stem Thrust Washer
28	Ball Bearing
30	Spacer
31	Seat Spring
32	Body O-ring
33	Seat O-ring
34	Stem O-ring
35	Gland & Trunnion O-ring
36	Emergency Sealant O-ring
38	Location Stud
39	Body Stud
40	Body Nut
43	Gland Cap Screw
44	Adapter Plate Cap Screw
46	Stem Key Cap Screw
47	Gear Stud
48	Gear/Adapter Plate Nut
49	Stem Grease Fitting
50	Seat Grease Fitting
51	Check Valve

No.	Description
52	Vent Plug
53	Lifting Lug Stud
54	Drain Valve
55	Lifting Lug
56	Support Leg
57	Worm Gear Operator

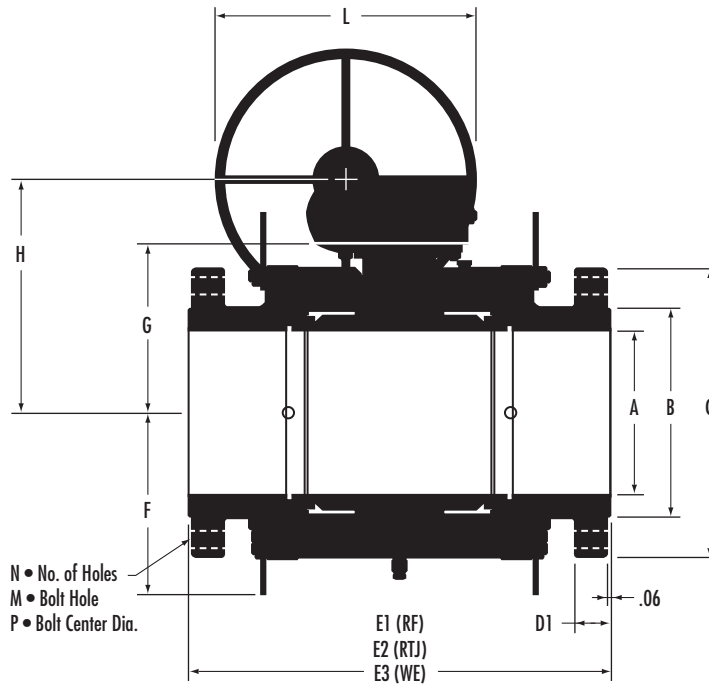
No.	Description
60	Handwheel
64	Name Plate
65	Drive Screw
70	Body Gasket
71	Gland & Trunnion Gasket
72	Stem Packing



Assemblies are illustrations only. Parts may vary according to design.

# Dimensional Data for Large Size Diameter Valves

## Series 5700/6700 ■ 14"FP-56"FP ■ Class 150



### Class 150 14"FP-56"FP (in.)

Size	A	B	C	D1	E1-RF	E2-RTJ	E3-WE	F	G	H	N	M	P	L
14x14	13.25x13.25	16.25	21.00	1.38	27.00	27.50	30.00	14.92	14.31	20.89	12	1.12	18.75	30
16x14	15.25x13.25	18.50	23.50	1.44	30.00	30.50	33.00	16.60	14.31	20.89	16	1.12	21.25	30
16x16	15.25x15.25	18.50	23.50	1.44	30.00	30.50	33.00	16.60	15.89	22.47	16	1.12	21.25	30
18x16	17.25x15.25	21.00	25.00	1.56	34.00	34.50	36.00	21.05	15.89	22.47	16	1.25	22.75	30
18x18	17.25x17.25	21.00	25.00	1.56	34.00	34.50	36.00	21.05	19.76	26.34	16	1.25	22.75	30
20x18	19.25x17.25	23.00	27.50	1.69	36.00	36.50	39.00	19.67	19.76	26.34	20	1.25	25.00	30
20x20	19.25x19.25	23.00	27.50	1.69	36.00	36.50	39.00	19.67	20.20	26.78	20	1.25	25.00	30
24x20	23.25x19.25	27.25	32.00	1.88	42.00	42.50	45.00	22.75	20.20	26.78	20	1.38	29.50	30
24x24	23.25x23.25	27.25	32.00	1.88	42.00	42.50	45.00	22.75	23.34	30.24	20	1.38	29.50	30
30x30	29.00x29.00	33.75	38.75	2.88	51.00	*	55.00	31.25	32.08	38.98	28	1.38	36.00	30
36x36	34.50x34.50	40.25	46.00	3.50	60.00	*	68.00	34.39	35.83	42.73	32	1.62	42.75	30
40x40	38.50x38.50	44.25	50.75	3.50	72.83	*	70.08	36.54	37.13	*	*	*	*	*
44x44	42.32x42.32	49.00	55.25	3.94	76.77	*	74.80	39.76	40.39	*	*	*	*	*
48x48	45.98x45.98	53.50	59.50	4.19	85.83	*	82.68	41.77	43.19	*	*	*	*	*
56x56	53.62x53.62	62.00	68.75	4.82	90.55	*	88.58	48.50	49.92	*	*	*	*	*

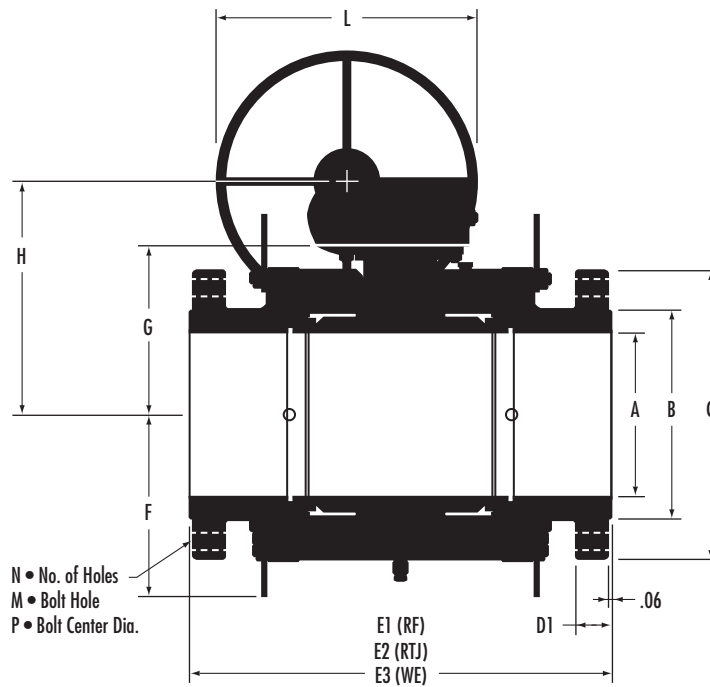
NOTES: Sizes 6"x6" and larger are gear operated. Dimension "F" includes drain plug and support brackets.

\*Contact your PBV® salesperson for additional sizes and materials.



# Dimensional Data for Large Size Diameter Valves

## Series 5700/6700 ■ 14"FP-56"FP ■ Class 300



### Class 300 14"FP-56"FP (in.)

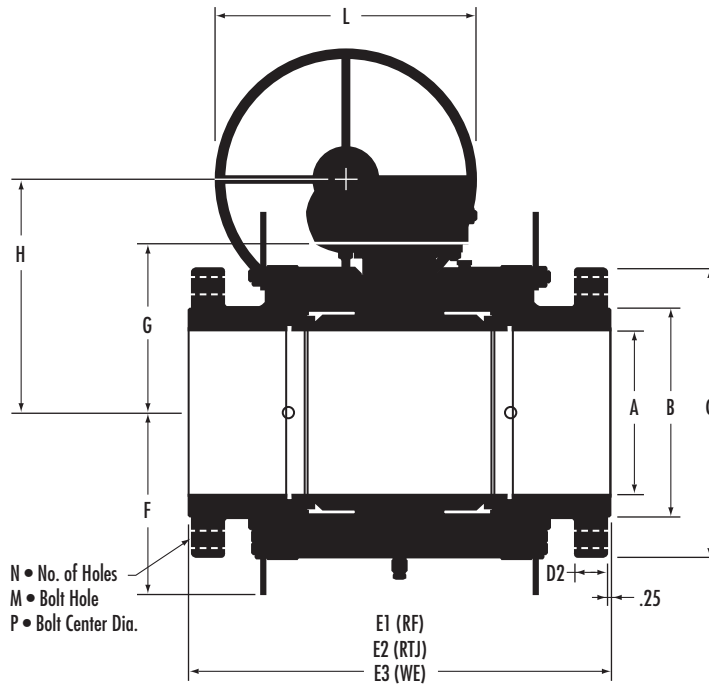
Size	A	B	C	D1	E1-RF	E2-RTJ	E3-WE	F	G	H	N	M	P	L
14x14	13.25x13.25	16.25	23.00	2.12	30.00	30.62	30.00	14.92	14.31	20.89	20	1.25	20.25	30
16x14	15.25x13.25	18.50	25.50	2.25	33.00	33.62	33.00	16.60	14.31	20.89	20	1.38	22.50	30
16x16	15.25x15.25	18.50	25.50	2.25	33.00	33.62	33.00	16.60	15.89	22.47	20	1.38	22.50	30
18x16	17.25x15.25	21.00	28.00	2.38	36.00	36.62	36.00	21.05	15.89	22.47	24	1.38	24.75	30
18x18	17.25x17.25	21.00	28.00	2.38	36.00	36.62	36.00	21.05	19.76	26.34	24	1.38	24.75	30
20x18	19.25x17.25	23.00	30.50	2.50	39.00	39.75	39.00	19.67	19.76	26.34	24	1.38	27.00	30
20x20	19.25x19.25	23.00	30.50	2.50	39.00	39.75	39.00	19.67	20.20	26.78	24	1.38	27.00	30
24x20	23.25x19.25	27.25	36.00	2.75	45.00	45.88	45.00	22.75	20.20	26.78	24	1.62	32.00	30
24x24	23.25x23.25	27.25	36.00	2.75	45.00	45.88	45.00	22.75	23.34	30.24	24	1.62	32.00	30
30x30	29.00x29.00	33.75	43.00	3.62	55.00	56.00	55.00	31.25	32.08	38.98	28	1.88	39.25	30
36x36	34.50x34.50	40.25	50.00	4.12	68.00	69.12	68.00	34.39	35.83	42.73	32	2.12	46.00	30
40x40	38.50x38.50	42.75	48.75	4.44	72.83	*	70.08	36.54	37.13	*	*	*	*	*
44x44	42.32x42.32	47.00	53.25	4.82	76.77	*	74.80	39.76	40.39	*	*	*	*	*
48x48	45.98x45.98	51.25	57.75	5.19	85.83	*	82.68	41.77	43.19	*	*	*	*	*
56x56	53.62x53.62	59.75	67.25	6.00	90.55	*	88.58	48.50	49.92	*	*	*	*	*

NOTES: Sizes 6"x6" and larger are gear operated. Dimension "F" includes drain plug and support brackets.

\*Contact your PBV® salesperson for additional sizes and materials.

# Dimensional Data for Large Size Diameter Valves

## Series 5700/6700 ■ 14"FP-56"FP ■ Class 600



### Class 600 14"FP-56"FP (in.)

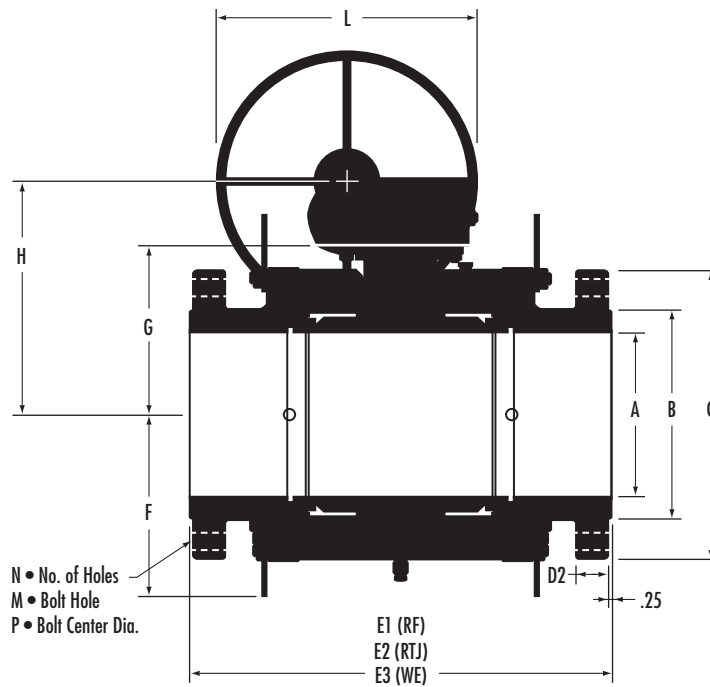
Size	A	B	C	D2	E1-RF	E2-RTJ	E3-WE	F	G	H	N	M	P	L
14x14	13.25x13.25	16.25	23.75	2.75	35.00	35.12	35.00	14.92	14.31	20.89	20	1.50	20.75	30
16x14	15.25x13.25	18.50	27.00	3.00	39.00	39.12	39.00	16.33	14.31	20.89	20	1.62	23.75	30
16x16	15.25x15.25	18.50	27.00	3.00	39.00	39.12	39.00	16.33	15.89	22.47	20	1.62	23.75	30
18x16	17.25x15.25	21.00	29.25	3.25	43.00	43.12	43.00	21.05	15.89	22.47	20	1.75	25.75	30
18x18	17.25x17.25	21.00	29.25	3.25	43.00	43.12	43.00	21.05	19.76	26.34	20	1.75	25.75	30
20x18	19.25x17.25	23.00	32.00	3.50	47.00	47.25	47.00	19.67	19.76	26.34	24	1.75	28.50	30
20x20	19.25x19.25	23.00	32.00	3.50	47.00	47.25	47.00	19.67	20.09	26.99	24	1.75	28.50	30
24x20	23.25x19.25	27.25	37.00	4.00	55.00	55.38	55.00	23.13	20.09	26.99	24	2.00	33.00	30
24x24	23.25x23.25	27.25	37.00	4.00	55.00	55.38	55.00	23.13	24.35	31.25	24	2.00	33.00	30
30x30	29.00x29.00	33.75	44.50	4.50	65.00	65.50	65.00	31.25	32.08	38.98	28	2.13	40.25	30
36x36	34.50x34.50	40.25	51.75	4.88	82.00	82.64	82.01	34.39	35.83	42.73	28	2.62	47.00	30
40x40	38.50x38.50	43.75	52.00	6.25	78.74	*	74.80	37.13	37.60	*	*	*	*	*
44x44	42.32x42.32	48.25	57.25	6.81	86.61	*	80.71	40.55	41.73	*	*	*	*	*
48x48	45.98x45.98	52.50	62.75	7.44	94.49	*	85.83	43.50	44.69	*	*	*	*	*
56x56	53.62x53.62	60.75	73.00	8.56	*	*	93.90	49.37	50.79	*	*	*	*	*

NOTES: Sizes 6"x6" and larger are gear operated. Dimension "F" includes drain plug and support brackets.

\*Contact your PBV® salesperson for additional sizes and materials.

# Dimensional Data for Large Size Diameter Valves

## Series 5700/6700 ■ 14"FP-48"FP Class 900 ■ 14"FP-24"FP Class 1500



### Class 900 14"FP-24"FP (in.)

Size	A	B	C	D2	E1-RF	E2-RTJ	E3-WE	F	G	H	N	M	P	L
14 x 14	12.75 x 12.75	16.25	25.25	3.38	40.50	40.88	40.50	18.61	16.76	23.34	20	1.62	22.00	30
16 x 14	14.75 x 12.75	18.50	27.75	3.50	44.50	44.88	44.50	20.63	16.76	23.34	20	1.75	24.25	30
16 x 16	14.75 x 14.75	18.50	27.75	3.50	44.50	44.88	44.50	20.63	18.87	25.77	20	1.75	24.25	30
18 x 16	16.75 x 14.75	21.00	31.00	4.00	48.00	48.50	48.00	23.39	18.87	25.77	20	2.00	27.00	30
18 x 18	16.75 x 16.75	21.00	31.00	4.00	48.00	48.50	48.00	23.39	24.91	31.81	20	2.00	27.00	30
20 x 18	18.63 x 16.75	23.00	33.75	4.25	52.00	52.50	52.00	24.30	24.91	31.81	20	2.12	29.50	30
20 x 20	18.63 x 18.63	23.00	33.75	4.25	52.00	52.50	52.00	24.30	26.18	33.08	20	2.12	29.50	30
24 x 20	22.50 x 18.63	27.25	41.00	5.50	61.00	61.75	61.00	21.70	24.20	28.90	20	2.62	35.50	30
24 x 24	22.50 x 22.50	27.25	41.00	5.50	61.00	61.75	61.00	23.80	29.80	30.90	20	2.62	35.50	30
30 x 30	28.11 x 28.11	33.75	48.50	5.88	69.29	70.16	65.35	30.94	31.42	*	*	*	*	*
36 x 36	33.74 x 33.74	40.25	57.50	6.75	80.71	81.89	74.80	36.38	36.14	*	*	*	*	*
40 x 40	37.56 x 37.56	45.75	59.50	7.75	85.83	*	82.68	39.88	39.65	*	*	*	*	*
44 x 44	41.26 x 41.26	50.00	64.88	8.44	93.70	*	88.58	41.26	45.28	*	*	*	*	*
48 x 48	45.00 x 45.00	54.50	70.25	9.19	96.46	*	93.70	47.64	47.72	*	*	*	*	*

NOTES: Sizes 6" x 6" and larger are gear operated. Dimension "F" includes drain plug and support brackets.

\*Contact your PBV® salesperson for additional sizes and materials.

### Class 1500 14"FP-24"FP (in.)

Size	A	B	C	D2	E1-RF	E2-RTJ	E3-WE	F	G	H	N	M	P	L
14 x 14	12.50 x 12.50	16.25	29.50	5.25	49.50	50.25	49.50	20.60	18.83	25.73	16	2.38	25.00	30
16 x 14	14.25 x 12.50	18.50	32.50	5.75	54.50	55.38	54.50	22.27	18.83	25.73	16	2.62	27.75	30
16 x 16	14.25 x 14.25	18.50	32.50	5.75	54.50	55.38	54.50	22.27	20.50	27.40	16	2.62	27.75	30
18 x 16	16.75 x 14.25	21.00	36.00	6.38	60.50	61.38	60.50	23.39	20.50	27.40	16	2.88	30.50	30
18 x 18	16.75 x 16.75	21.00	36.00	6.38	60.50	61.38	60.50	23.39	24.91	31.81	16	2.88	30.50	30
20 x 18	18.63 x 16.75	23.00	38.75	7.00	65.50	66.38	65.50	23.39	24.96	31.81	16	3.12	32.75	30
20 x 20	18.63 x 18.63	23.00	38.75	7.00	65.50	66.38	65.50	21.70	27.50	28.90	16	3.12	32.75	30
24 x 20	22.50 x 18.63	27.25	46.00	8.00	80.50	81.63	80.50	21.70	27.50	28.90	16	3.62	39.00	30
24 x 24	22.50 x 22.50	27.25	46.00	8.00	80.50	81.63	80.50	23.80	33.70	30.90	16	3.62	39.00	30

NOTES: Sizes 6" x 6" and larger are gear operated. Dimension "F" includes drain plug and support brackets.

Contact your PBV® salesperson for additional sizes and materials.