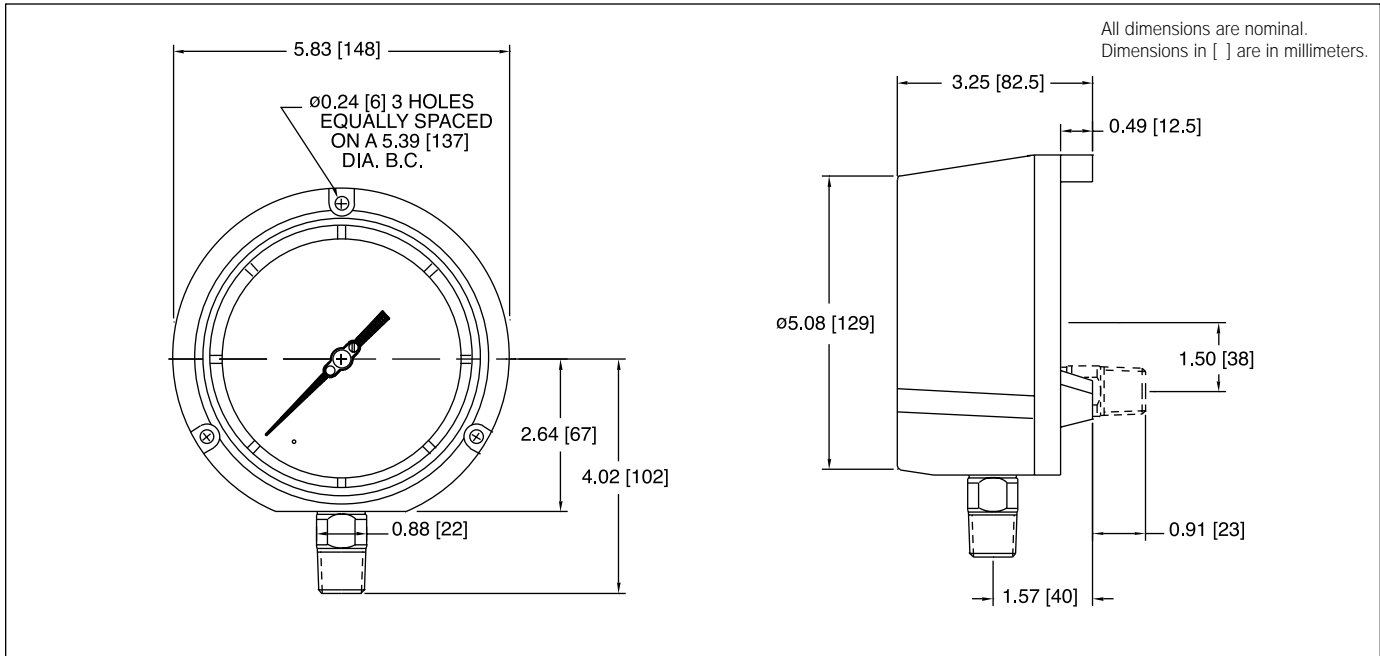




# Process Gauge 450 Series

with Solid Front



## Standard Available Ranges

psi Ranges (PSI)				kPa Ranges (KPA)				kg/cm <sup>2</sup> Ranges (KG)			
Range Code	Specific Range	Figure Intervals	Minor Divisions	Range Code	Specific Range	Figure Intervals	Minor Divisions	Range Code	Specific Range	Figure Intervals	Minor Divisions
010	30" Hg to 0	5	0.2	010	-100 to 0 kPa	10	1	010	76 cm Hg to 0	15	1
020	30" Hg to 15 psi	10/5	0.5/0.2	020	-100 to 100 kPa	20	2	020	76 cm Hg to 1 kg/cm <sup>2</sup>	20/0.5	5/0.1
030	30" Hg to 30 psi	10/5	1/0.5	030	-100 to 200 kPa	50	5	030	76 cm Hg to 2 kg/cm <sup>2</sup>	20/0.5	5/0.1
040	30" Hg to 60 psi	10/10	1/1	040	-100 to 400 kPa	50	5	040	76 cm Hg to 4 kg/cm <sup>2</sup>	25/1	5/0.1
050	30" Hg to 100 psi	30/10	2/1	050	-100 to 600 kPa	100	10	050	76 cm Hg to 7 kg/cm <sup>2</sup>	76/1	15/0.2
060	30" Hg to 150 psi	30/25	5/2	060	-100 to 1000 kPa	100	10	060	76 cm Hg to 10 kg/cm <sup>2</sup>	76/1	15/0.2
070	30" Hg to 300 psi	30/50	5/2	070	-100 to 2000 kPa	400	25	070	76 cm Hg to 21 kg/cm <sup>2</sup>	76/3	38/0.5
080	0 to 15 psi	3	0.1	080	0 to 100 kPa	10	1	080	0 to 1 kg/cm <sup>2</sup>	0.2	0.02
090	0 to 30 psi	5	0.2	090	0 to 200 kPa	20	2	090	0 to 2 kg/cm <sup>2</sup>	0.2	0.05
100	0 to 60 psi	10	0.5	100	0 to 400 kPa	50	5	100	0 to 4.2 kg/cm <sup>2</sup>	0.5	0.1
110	0 to 100 psi	10	1	110	0 to 700 kPa	100	10	110	0 to 7 kg/cm <sup>2</sup>	1	0.2
120	0 to 160 psi	20	1	120	0 to 1200 kPa	200	20	120	0 to 11 kg/cm <sup>2</sup>	1	0.1
130	0 to 200 psi	20	2	130	0 to 1500 kPa	300	20	130	0 to 14 kg/cm <sup>2</sup>	2	0.2
140	0 to 300 psi	50	2	140	0 to 2000 kPa	200	20	140	0 to 21 kg/cm <sup>2</sup>	3	0.2
150	0 to 400 psi	50	5	150	0 to 3000 kPa	500	50	150	0 to 28 kg/cm <sup>2</sup>	4	0.5
160	0 to 600 psi	100	5	160	0 to 4000 kPa	500	50	160	0 to 42 kg/cm <sup>2</sup>	6	1
180	0 to 1000 psi	100	10	180	0 to 7000 kPa	1000	100	180	0 to 70 kg/cm <sup>2</sup>	10	1
Ranges over 1000 psi are not available on 450B and 450LFB.											
190	0 to 1500 psi	300	10	190	0 to 10,000 kPa	1000	100	190	0 to 100 kg/cm <sup>2</sup>	10	1
200	0 to 2000 psi	200	20	200	0 to 14,000 kPa	2000	100	200	0 to 140 kg/cm <sup>2</sup>	20	2
210	0 to 3000 psi	300	20	210	0 to 20,000 kPa	2000	200	210	0 to 210 kg/cm <sup>2</sup>	30	2
220	0 to 5000 psi	500	50	220	0 to 35,000 kPa	5000	500	220	0 to 350 kg/cm <sup>2</sup>	35	5
230	0 to 10,000 psi	1000	100	230	0 to 60,000 kPa	10,000	500	230	0 to 700 kg/cm <sup>2</sup>	100	10
Ranges over 10,000 psi are only available on 450SS and 450LFSS.											
240	0 to 15,000 psi	3000	100	240	0 to 100,000 kPa	10,000	1000	240	0 to 1000 kg/cm <sup>2</sup>	100	10
250	0 to 20,000 psi	2000	200	250	0 to 140,000 kPa	20,000	2000	250	0 to 1400 kg/cm <sup>2</sup>	200	20

Dual scale (psi/kPa and psi & kg/cm<sup>2</sup>) ranges are available. Specify the PSI Range Code along with the appropriate Units of Measure code (PSI/KPA or PSI/KG). Other pressure measurement ranges are available, including Altitude, Ammonia, Refrigerant and Receiver ranges. Consult Special Application Ranges section or factory for availability.

