

Figure 351

Iron Body Globe Valve



Class 125 • Bolted Bonnet • OS&Y • Bronze Trim • Flanged Ends

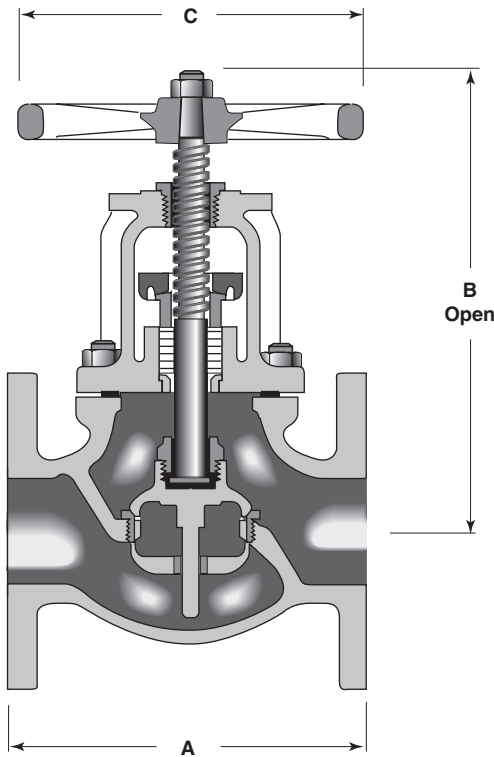


Figure 351
Flanged with Bronze Trim
Size Range:
2 through 10 inches

Working Pressures Non-Shock
125 psi Steam, Basic Rating
200 psi Cold Working Pressure

Features

- Integral Yoke Bonnet with upper and lower bronze bushing provides for centering of internal parts
- Non Galling Two-Piece Packing Gland
- Valves are provided with a Back Seat
- Renewable - Re grindable Screwed-in Seat Ring
- Bottom Guided Disc
- Manganese Bronze Stem
- Non-Asbestos Packing & Gasket
- Solid Bronze Disc 6" and smaller
- ASME B16.1, ASME B16.10
- MSS SP-85 Type 1 and MSS SP-25

For more detailed features, refer to page 23.

Principal Parts & Materials

| Fig. No. | Size | Stem | Seating | End Conn. |
|----------|----------|--------|---------|-----------|
| 351 | 2" - 10" | Bronze | Bronze | Flanged |

Dimensions and Weights

Inches (millimeters) - pounds (kilograms)

| Valves | 2 (50) | 2 ½ (65) | 3 (80) | 4 (100) | 5 (125) | 6 (150) | 8 (200) | 10 (250) |
|--------|----------------|----------------|----------------|----------------|----------------|----------------|----------------|----------------|
| A | 8.00 (203) | 8.50 (216) | 9.50 (241) | 11.50 (292) | 13.00 (330) | 14.00 (356) | 19.50 (495) | 24.50 (622) |
| B | 11.12 (282) | 11.50 (292) | 13.25 (337) | 15.50 (394) | 17.50 (445) | 19.50 (495) | 25.00 (635) | 30.50 (775) |
| C | 8.00 (203) | 8.00 (203) | 9.00 (229) | 10.00 (254) | 10.00 (254) | 12.00 (305) | 16.00 (406) | 18.00 (457) |
| Wt. | 34 (15) | 40 (18) | 57 (26) | 95 (43) | 126 (57) | 176 (80) | 344 (156) | 570 (259) |