

**Class 250 • Bolted Bonnet • OS&Y • Bronze Trim • Flanged Ends**

### Features

- Integral Yoke Bonnet
- Non Galling Two-Piece Packing Gland
- Bronze Seat Ring, ASTM B61
- Disc Stem Ring
- Manganese Bronze Stem
- Non-Asbestos Packing and Gasket
- Valves are provided with a Back Seat
- Renewable - Re grindable, Screwed-in Seat Ring
- Bottom Guided Disc
- Solid Bronze Disc, ASTM B61 - 3" and smaller. 4" and larger cast iron with bronze facing, ASTM B61
- ASME B16.1, ASME B16.10
- MSS SP-85 Type 1 and MSS SP-25

For more detailed features, refer to page 23.

### Figure 21E

Flanged - Bronze Trim

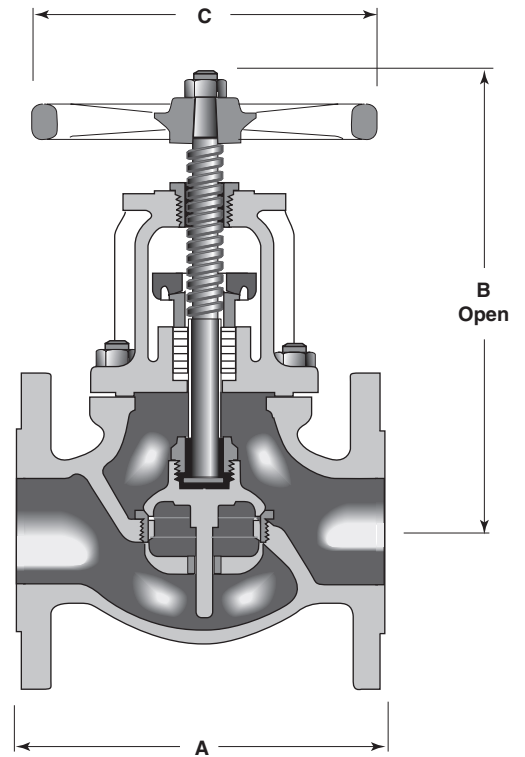
#### Size Range:

2 through 8 inches

#### Working Pressures Non-Shock

250 psi Steam, Basic Rating

500 psi Cold Working Pressure



### Principal Parts & Materials

Fig. No.	Size	Stem	Seating	End Conn.
21E	2" - 8"	Bronze	Bronze	Flanged

### Dimensions and Weights

Inches (millimeters) - pounds (kilograms)

Valves	2 (50)	2 ½ (65)	3 (80)	4 (100)	6 (150)	8 (200)
A	10.50 (267)	11.50 (292)	12.50 (318)	14.00 (356)	17.50 (445)	21.00 (533)
B	13.75 (349)	14.75 (375)	16.50 (419)	18.50 (470)	23.25 (591)	28.50 (724)
C	9.00 (229)	10.00 (254)	10.00 (254)	12.00 (305)	16.00 (406)	20.00 (508)
Wt.	62 (28)	82 (37)	118 (54)	167 (76)	320 (145)	570 (259)