

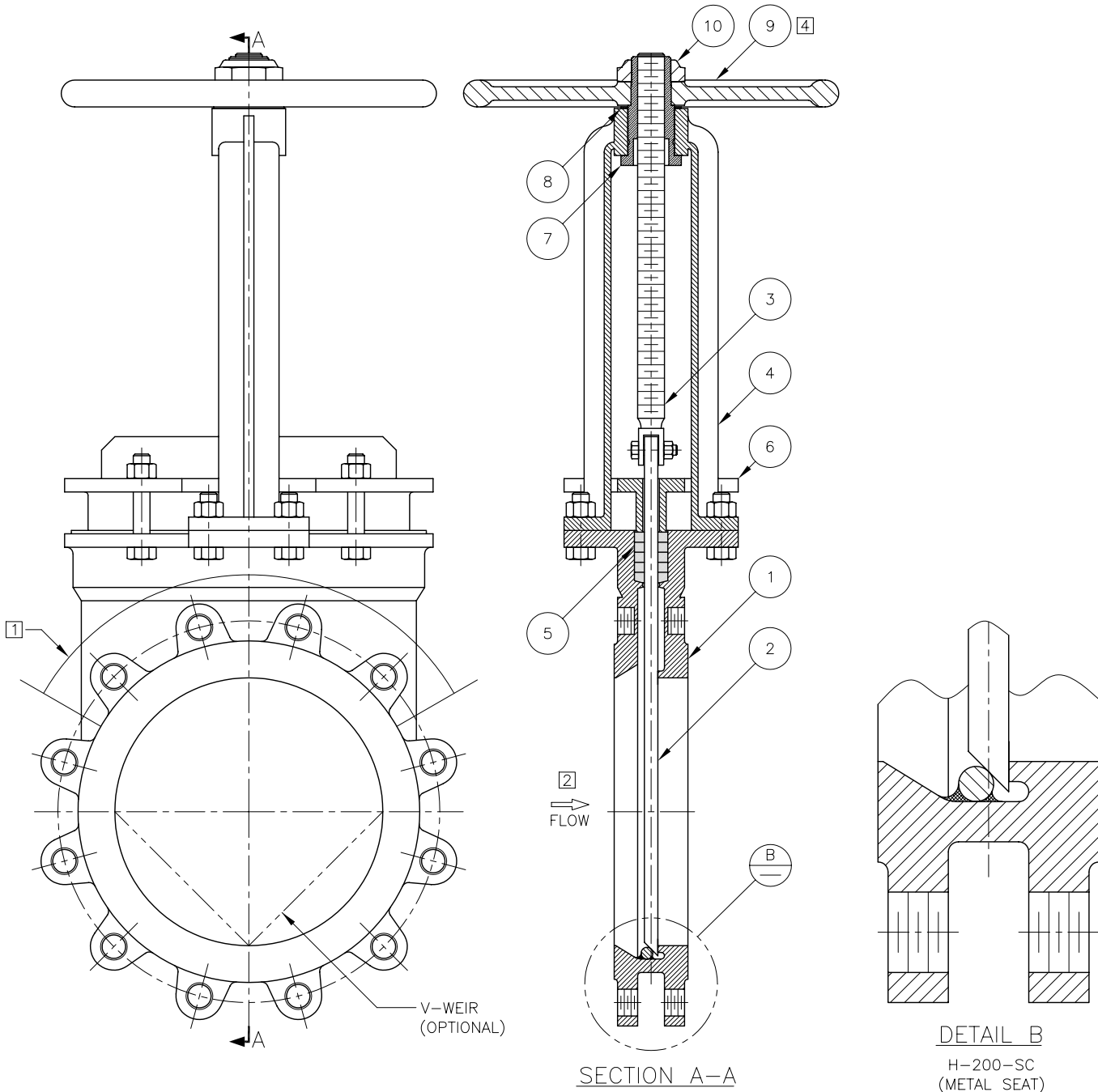


▶ **2" - 24" Solid Cast (316 SS) Bonnetless Knife Gate Valve**

ITEM #	QTY	DESCRIPTION	MATERIAL
1	1	VALVE BODY	316 SS
2	1	GATE	316 SS
3	1	STEM	304 SS
4	1	YOKE	304 SS
5	SET	PACKING	TFE/SYN FIBER [3]
6	1	PACKING FOLLOWER	316 SS
7	1	STEM NUT	BRONZE
8	1	THRUST WASHER	BRONZE
9	1	HANDWHEEL	DUCTILE IRON [4]
10	1	HANDWHEEL NUT	STEEL

NOTES:

- [1] BOLT HOLES LOCATED IN CHEST AREA ARE THREADED BLIND.
- [2] STANDARD FLOW SHUT-OFF IS SHOWN. IF REVERSE FLOW SHUT-OFF IS REQUIRED, IT SHOULD BE SPECIFIED. SOME APPLICATIONS MAY REQUIRE SPECIAL GATE WEDGING.
- [3] TEFLON-ACRYLIC IS STANDARD PACKING MATERIAL. ADDITIONAL MATERIALS ARE AVAILABLE.
- [4] HANDWHEEL OPERATORS ARE FURNISHED STANDARD. A WIDE VARIETY OF MANUAL AND POWERED OPERATORS ARE AVAILABLE AS SHOWN IN THE OPERATORS SECTION.



REVISED: 02/23/05

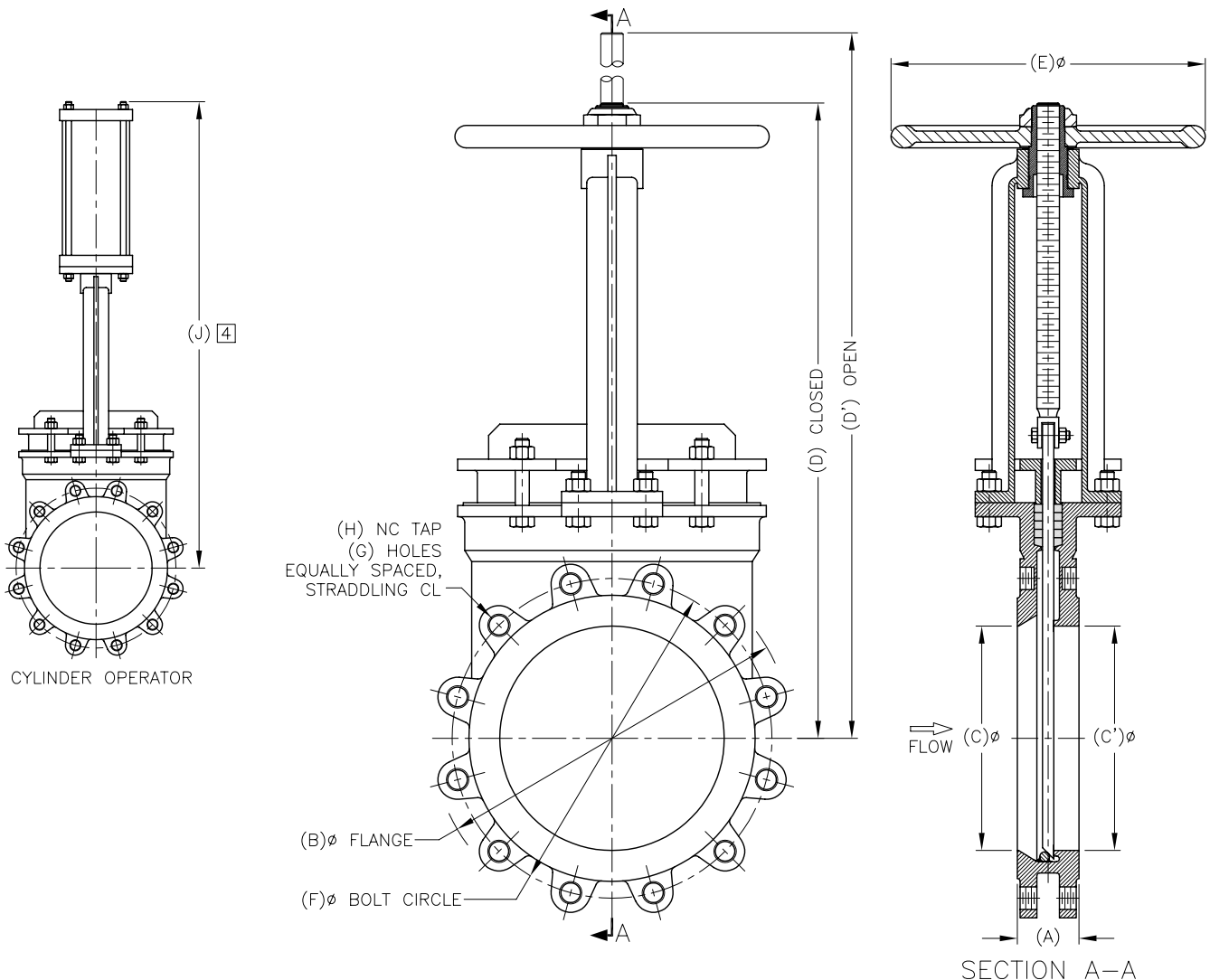


**▶ 2" - 24" Solid Cast (316 SS) Bonnetless Knife Gate Valve**

	2"φ	3"φ	4"φ	6"φ	8"φ	10"φ	12"φ	14"φ	16"φ	18"φ	20"φ	24"φ
A	1 7/8	2	2	2 1/4	2 3/4	2 3/4	3	3	3 1/2	3 1/2	4 1/2"	4 1/2
B	6	7 1/2	9	11	13 1/2	16	19	21	23 1/2	25	27 1/2	32
C	2	3	4	6	8	10	12	14	16	18	20	24
C'	1 3/4	2 3/4	3 3/4	5 3/4	7 3/4	9 3/4	11 3/4	13 3/4	15 3/4	17 3/4	19 3/4	23 3/4
D	11 1/2	14 1/2	16 1/2	20 3/4	23 1/2	28 1/2	31 3/4	36 1/2	40 1/2	46	52	61
D'	13 3/4	17 3/4	20 3/4	27	31 3/4	38 3/4	44	50 3/4	56 3/4	64 1/4	72 1/4	85 1/4
E	8	10	10	12	14	14	16	18	18	24	24	24
F	4 3/4	6	7 1/2	9 1/2	11 3/4	14 1/4	17	18 3/4	21 1/4	22 3/4	25	29 1/2
G	4	4	8	8	8	12	12	12	16	16	20	20
H	5/8-11	5/8-11	5/8-11	3/4-10	3/4-10	7/8-9	7/8-9	1-8	1-8	1 1/8-7	1 1/8-7	1 1/4-7
J	17	21	24	28 1/4	33	42	47 1/4	54 3/4	60 3/4	68 1/2	76 1/2	89 1/2

**NOTES:**

- 1) DESIGN PRESSURE: 150 PSIG CWP
- 2) DESIGN TEMPERATURE: 400°F
- 3) FLANGE DRILLING: ANSI B16.5 CLASS 150
- 4) DIMENSION (J) IS FOR REFERENCE PURPOSES ONLY. ACTUAL DIMENSION MAY VARY DEPENDING ON CYLINDER SIZE USED.
- 5) ALL DIMENSIONS ARE IN INCHES UNLESS OTHERWISE NOTED.



REVISED: 02/23/04