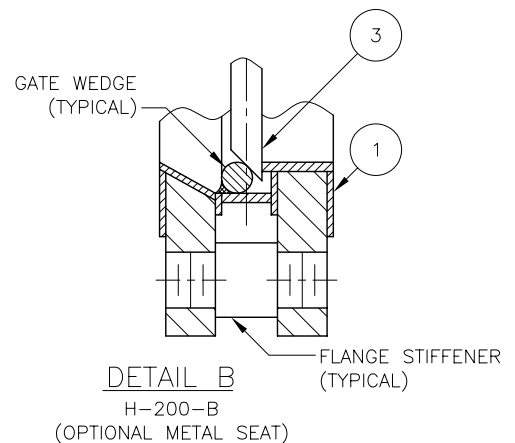
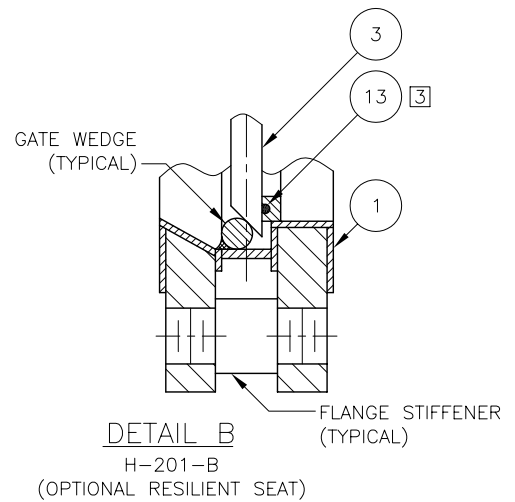
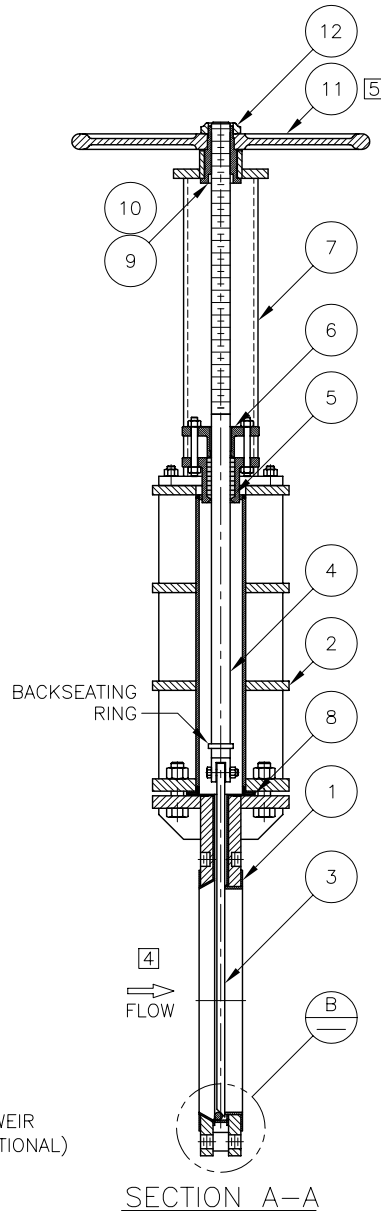
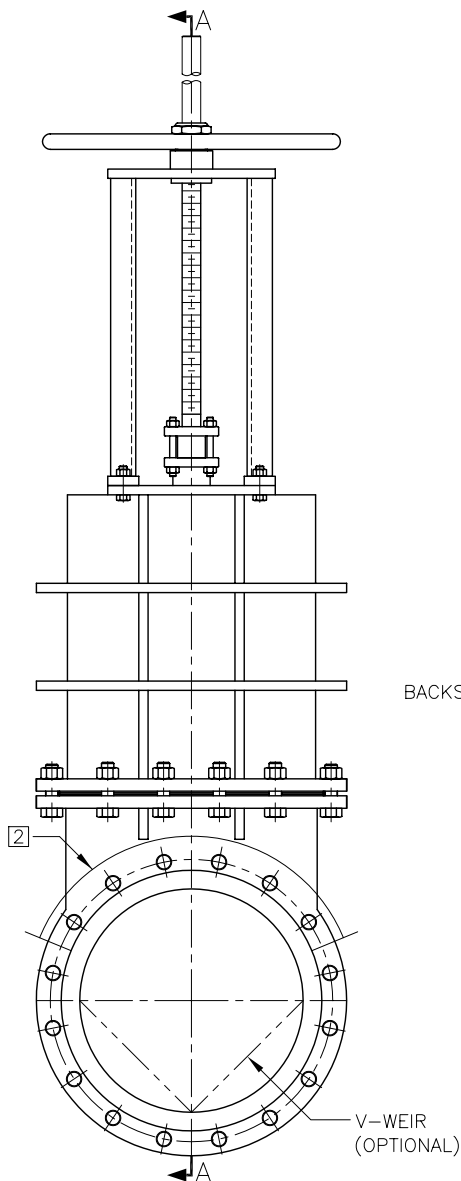


► 2" - 24" Bonneted Knife Gate Valve

ITEM #	QTY	DESCRIPTION	MATERIAL
1	1	VALVE BODY	CS/SS
2	1	BONNET	CS/SS
3	1	GATE	STAINLESS STEEL
4	1	STEM	STAINLESS STEEL
5	SET	PACKING	TFE/SYN FIBER
6	1	PACKING FOLLOWER	STAINLESS STEEL
7	1	YOKE	CARBON STEEL
8	1	BONNET GASKET	SYNTHETIC FIBER
9	1	STEM NUT	BRONZE
10	1	THRUST WASHER	BRONZE
11	1	HANDWHEEL	DUCTILE IRON
12	1	HANDWHEEL NUT	STEEL
13	1	SEAL RING	VITON

NOTES:

- 1) VALVE IS SHOWN WITH STANDARD STAINLESS STEEL WETTED PARTS, BUT IS AVAILABLE WITH ANY WELDABLE ALLOY. ALSO AVAILABLE IN SOLID ALLOY CONSTRUCTION.
- 2) BOLT HOLES LOCATED IN CHEST AREA ARE THREADED BLIND.
- 3) SEAL RING IS AVAILABLE IN VITON, TEFLON, BUNA N, NEOPRENE, POLYURETHANE, OR OTHER ELASTOMERS.
- 4) STANDARD FLOW SHUT-OFF IS SHOWN. IF REVERSE FLOW SHUT-OFF IS REQUIRED, IT SHOULD BE SPECIFIED. SOME APPLICATIONS MAY REQUIRE SPECIAL GATE WEDGING.
- 5) HANDWHEEL OPERATORS ARE FURNISHED STANDARD. A WIDE VARIETY OF MANUAL AND POWERED OPERATORS ARE AVAILABLE AS SHOWN IN THE OPERATORS SECTION.



REVISED: 07/09/04

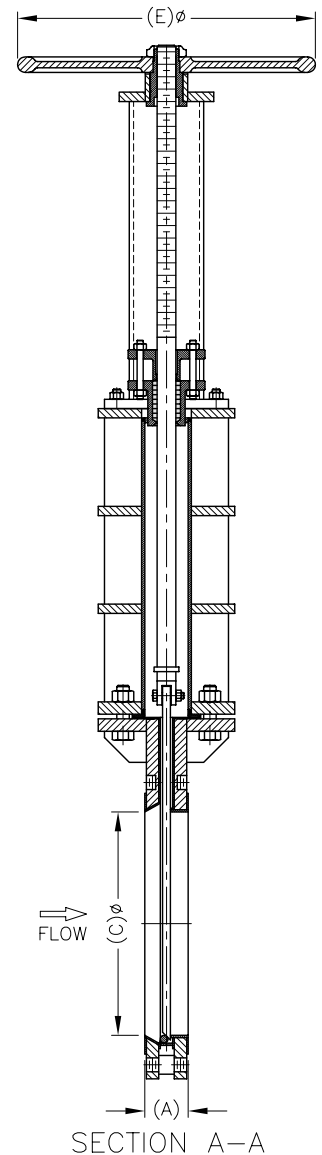
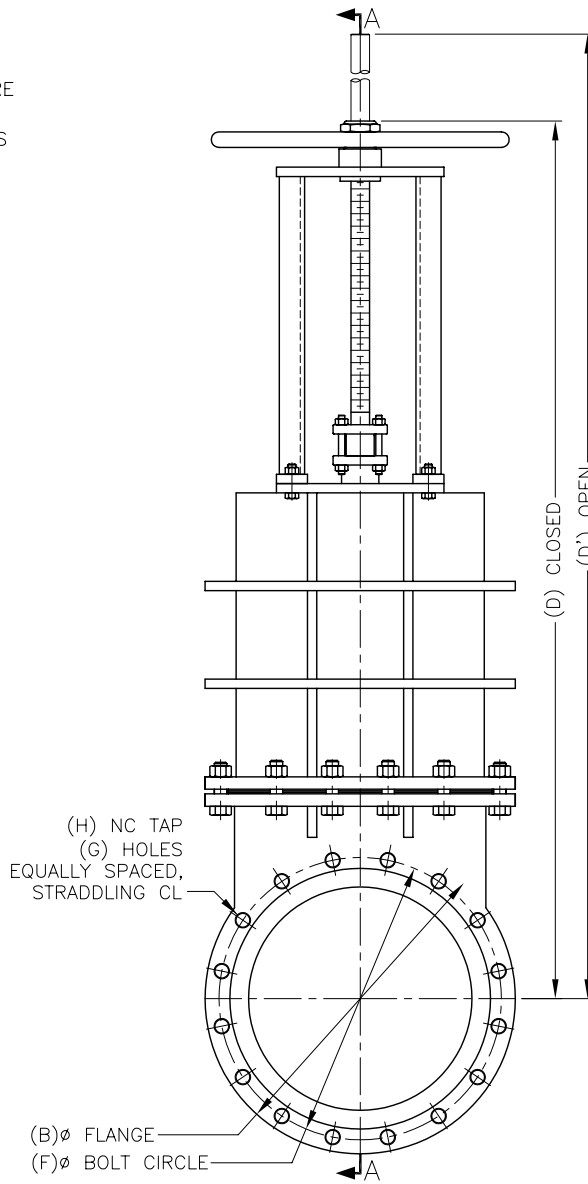
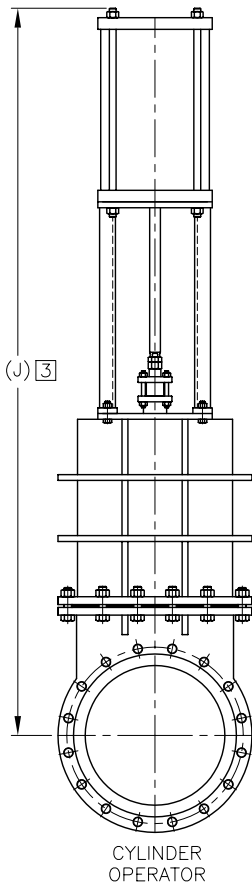


▶ **2" - 24" Bonneted Knife Gate Valve**

	2"φ	3"φ	4"φ	6"φ	8"φ	10"φ	12"φ	14"φ	16"φ	18"φ	20"φ	24"φ
A	1 7/8	2	2	2 1/4	2 3/4	2 3/4	3	3	3 1/2	3 1/2	4 1/2	4 1/2
B	6	7 1/2	9	11	13 1/2	16	19	21	23 1/2	25	27 1/2	32
C	2	3	4	6	8	10	12	14	16	18	20	24
D	19 1/2	22 1/2	25 1/2	31	36 1/2	42	48	54	60	66	72	82
D'	21 1/2	25 1/2	29 1/2	37	44 1/2	52	60	68	76	84	92	106
E	8	10	10	12	14	14	16	18	18	24	24	24
F	4 3/4	6	7 1/2	9 1/2	11 3/4	14 1/4	17	18 3/4	21 1/4	22 3/4	25	29 1/2
G	4	4	8	8	8	12	12	12	16	16	20	20
H	5/8-11	5/8-11	5/8-11	3/4-10	3/4-10	7/8-9	7/8-9	1-8	1-8	1 1/8-7	1 1/8-7	1 1/4-7
J	27	31	36	43	51	60	68	76	84	92	102	117

NOTES:

- 1) DESIGN PRESSURE: 150 PSIG CWP
DESIGN TEMPERATURE: 400°F
- 2) FLANGE DRILLING: ANSI B16.5 CLASS 150
- 3) DIMENSION (J) IS FOR REFERENCE PURPOSES ONLY. ACTUAL DIMENSION MAY VARY DEPENDING ON CYLINDER SIZE USED.
- 4) LARGER SIZES ARE AVAILABLE.
- 5) ADDITIONAL PRESSURE AND TEMPERATURE RATINGS AVAILABLE.
- 6) ALL DIMENSIONS ARE IN INCHES UNLESS OTHERWISE NOTED.



REVISED: 07/09/04