

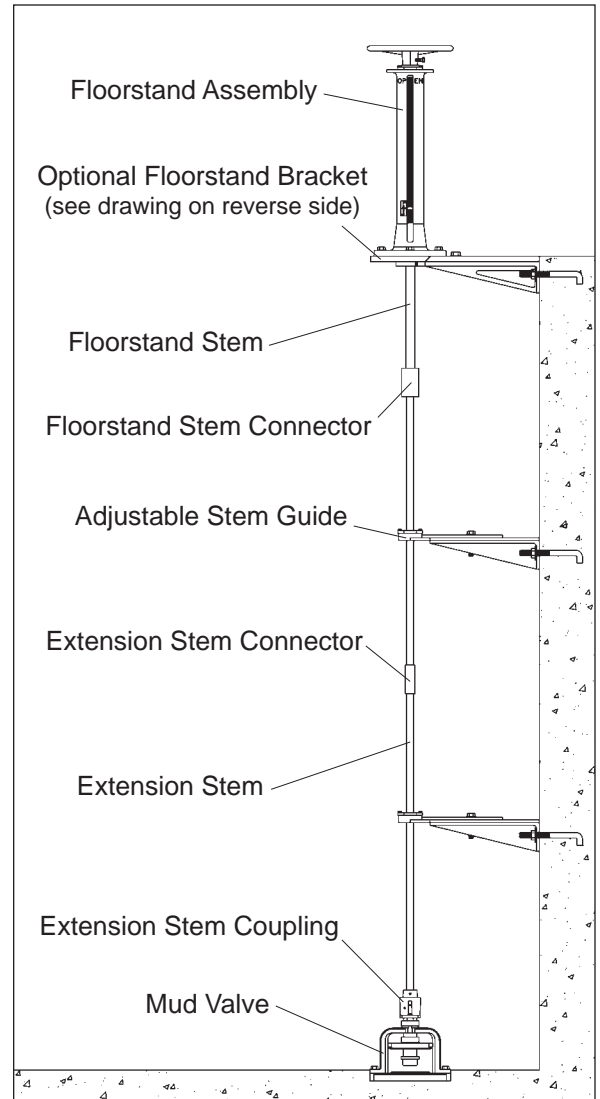
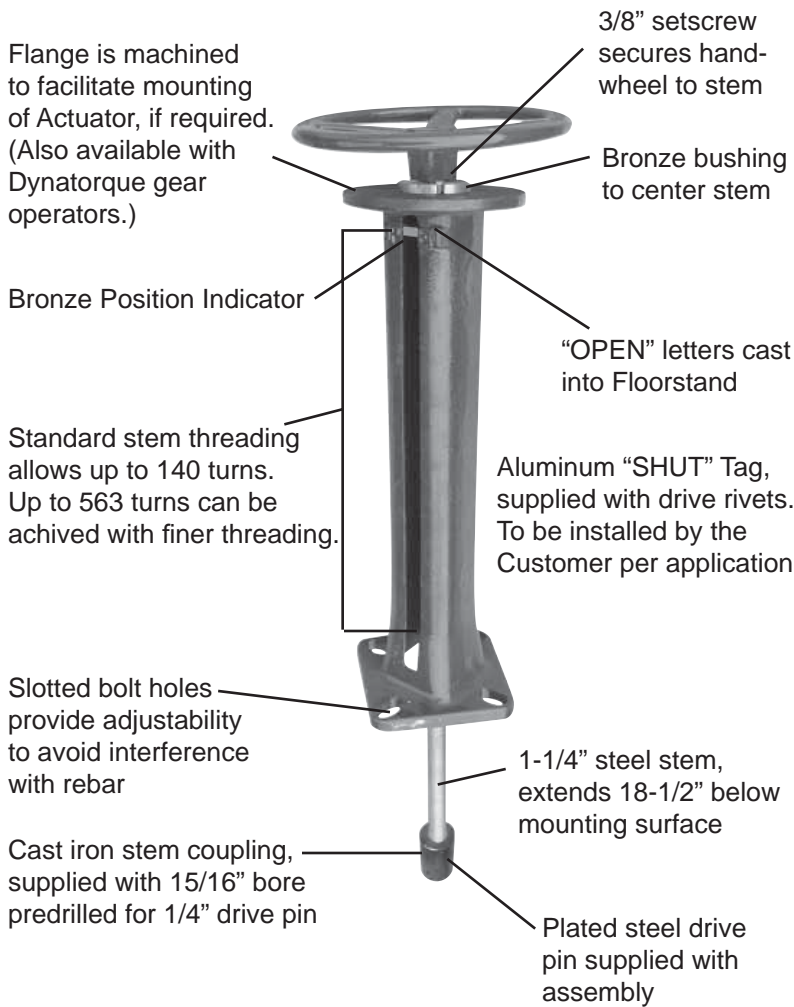


1040 N. Meridian Rd., P.O. Box 1556, Youngstown, Ohio 44501
 Phone: (330) 799-3333 Toll Free: 1-800-677-1799 FAX: (330) 797-3215

www.trumbull-mfg.com

INDICATING FLOORSTAND

Trumbull Indicating Floorstands are designed for installation in treatment plants and pump stations to allow operation of valves at a lower elevation. Floorstand body is ductile iron for increased torque capacity. Our standard Floorstand is shown below; special mountings and stems are available. See reverse side for drawing of Floorstand and optional Floorstand Bracket.



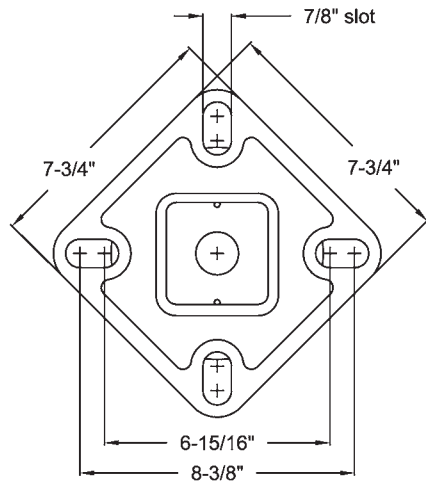
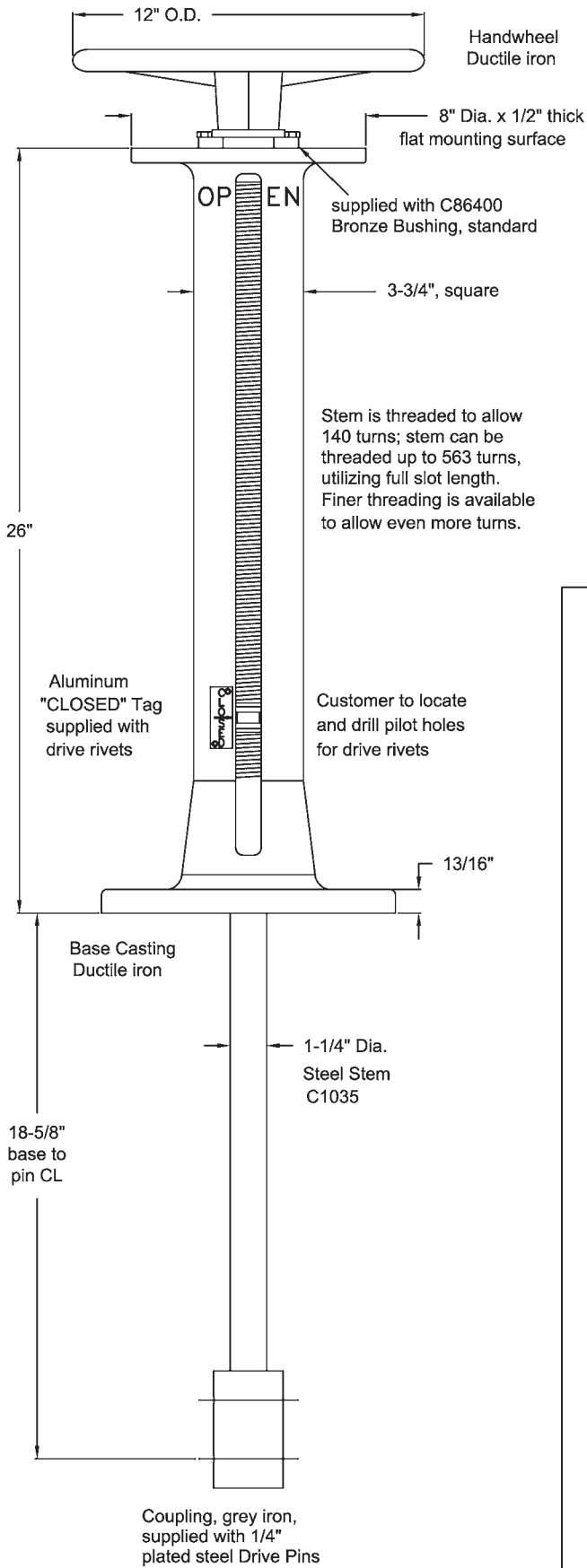
Typical Floorstand installation.

Ordering Information:

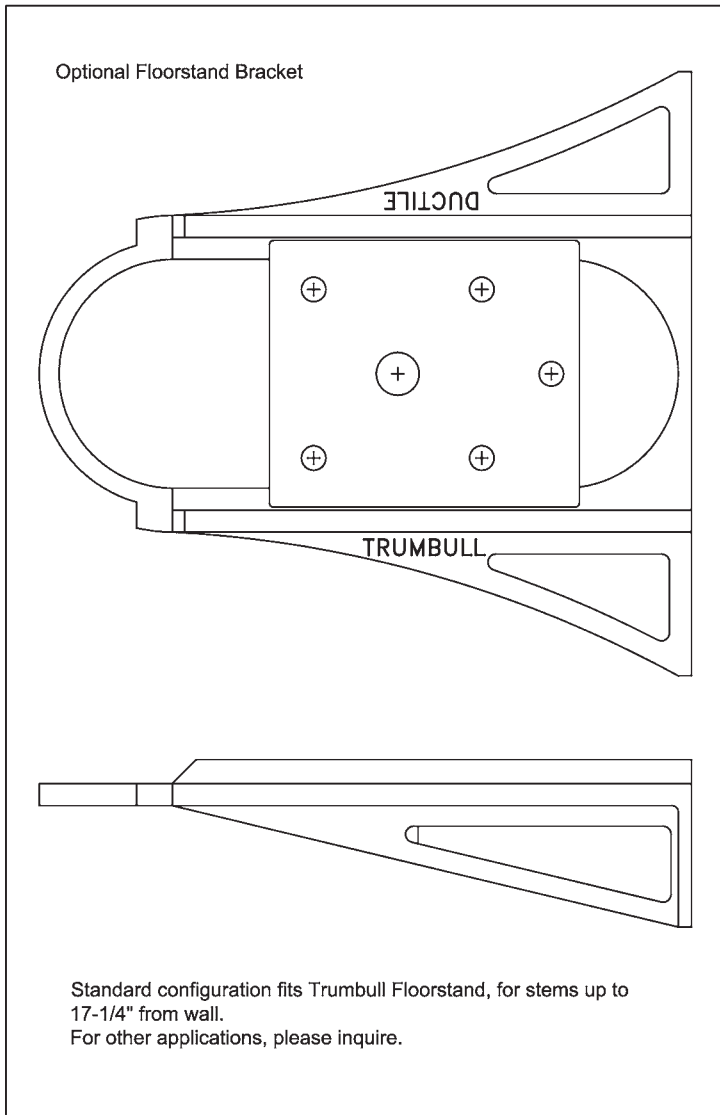
1. Quantity.
2. Trumbull item number (#367-2420).
3. O.D. of connecting stem being used, or desired connector hole size (15/16" bore dia. supplied if not specified.)

See separate literature on Trumbull Floor Boxes, Extension Stems, Mud Valves and Stem Guides.

See reverse side for drawing.



Floorstand Base Dimensions



Standard configuration fits Trumbull Floorstand, for stems up to 17-1/4" from wall.
For other applications, please inquire.

Drawn:	Drawing Revision:	
Date	Rev.	Date
8/23/99	F	09/18/06

TRUMBULL INDUSTRIES
P.O. Box 1556
1040 N. Meridian Rd.
Youngstown, Ohio 44501

Drawn to Scale
INDICATING FLOORSTAND