



# 83B-240 Series

## 3-Piece Full Port Carbon Steel Class 600 Socket-Weld Ball Valve

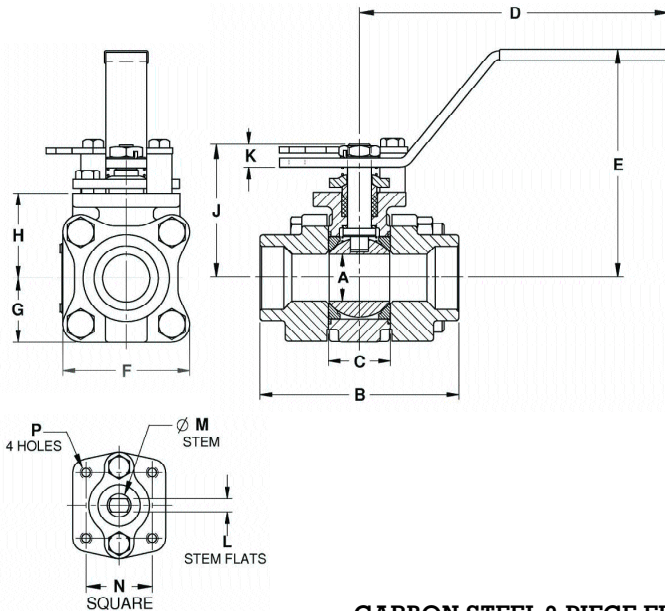
Standard Compliance - Valve design: ASME B16.34, Class 600, End Connections: Socket-weld per ASME B16.11, Valve Marking: ASME B16.34, Production Testing: ASME B16.34, NACE MR0175, 2000 edition.

### FEATURES

- 3-Piece construction w/ enclosed fasteners
- Full port
- Stainless steel trim & hardware
- Swing-out center section
- Pressure balanced solid ball
- Compression controlled spiral wound gaskets
- Anti-blowout one piece bottom entry stem
- Statically grounded ball, stem, & body
- Two-position locking
- Adjustable multi-piece PTFE "V" style packing
- Fully machined ISO 5211 mounting
- Cast bosses on the centersection and end caps for bleed & drain ports
- Vacuum service to 29 in of Hg.
- CE mark, 1-1/4" and larger

### STANDARD MATERIAL LIST

|                 |                   |                      |                            |
|-----------------|-------------------|----------------------|----------------------------|
| 1. Body         | ASTM A216-WCB     | 10. Body Nuts        | ASTM A194-Gr.8             |
| 2. End Caps     | ASTM A216-WCB     | 11. Stop Bolts       | 18-8 Stainless Steel       |
| 3. Ball         | ASTM A276-316SS   | 12. Gland Bolts      | ASTM A193-Gr.B8            |
| 4. Stem         | ASTM A276-316SS   | 13. Handle Nut/Screw | 300 Series Stainless Steel |
| 5. Seat         | Multi-Seal        | 14. Packing Gland    | ASTM A276-316SS            |
| 6. Packing      | PTFE              | 15. Gland Plate      | 300 Series Stainless Steel |
| 7. Stem Bearing | PEEK/PTFE         | 16. Lever Handle     | 300 Series Stainless Steel |
| 8. Body Gasket  | PTFE Spiral Wound | 17. Lock Plate       | 300 Series Stainless Steel |
| 9. Body Bolts   | ASTM A193-Gr.B8M3 | 18. Stops            | 300 Series Stainless Steel |
|                 |                   | 19. Int. Gmd. Spring | 300 Series Stainless Steel |
|                 |                   | 20. Ext. Gmd. Spring | 300 Series Stainless Steel |



### OPTIONS AVAILABLE:

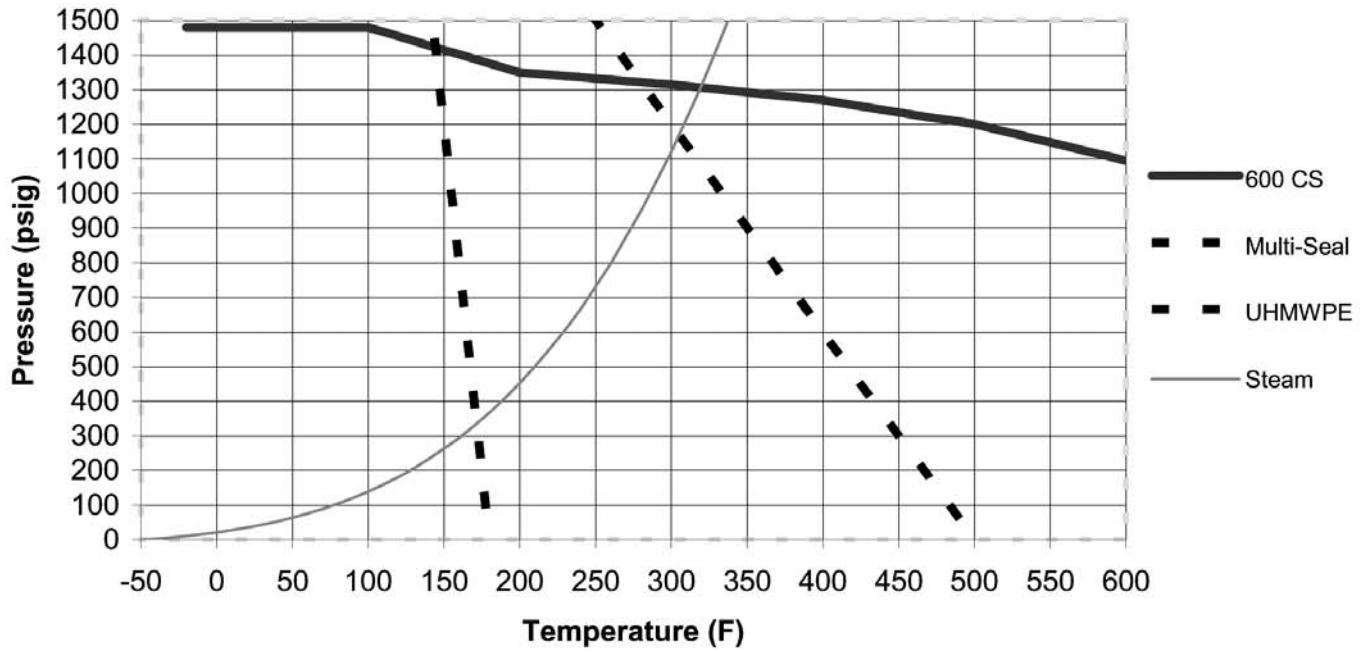
| (SUFFIX) | OPTION   | SIZES      |
|----------|--|------------|
| -04      | 2-1/4" Stem Extension  | 3/8" to 2" |
| -14      | Vented Ball (see page J-2)   | 3/8" to 2" |
| -15      | Round Handle   | 3/8" to 2" |
| -21      | UHMWPE Seats w/Graphite Seals  | 3/8" to 2" |
| -24      | Fire Safe - Graphite Packing & Gaskets (API 607, 5th ed., ISO 10497-5) | 3/8" to 2" |
| -49      | Assembled Dry  | 3/8" to 2" |
| -67      | Cleaned for Industrial Gases   | 3/8" to 2" |
| -69      | Drilled & Tapped Purge & Drains  | 3/8" to 2" |
| -70      | Extended Bonnet  | 3/8" to 2" |
| -76      | Live Loaded (Lever Operated)   | 3/8" to 2" |
| -77      | Live Loaded (Actuated)   | 3/8" to 2" |

For Pressure/Temperature Ratings,  
Refer to Page M-18, Graph No. 25

### CARBON STEEL 3-PIECE FULL PORT BALL VALVE

| NUMBER     | SIZE   | A    | B    | C    | D    | E    | F    | G    | H    | J    | K    | L     | M     | N     | P       | WT.  |
|------------|--------|------|------|------|------|------|------|------|------|------|------|-------|-------|-------|---------|------|
| 83B-242-01 | 3/8"   | .50  | 2.80 | 0.89 | 5.12 | 3.02 | 2.02 | 1.01 | 1.39 | 1.97 | 0.23 | 0.245 | 0.375 | 1.00  | 10-24   | 2.3  |
| 83B-243-01 | 1/2"   | .50  | 2.80 | 0.89 | 5.12 | 3.02 | 2.02 | 1.01 | 1.39 | 1.97 | 0.23 | 0.245 | 0.375 | 1.00  | 10-24   | 2.3  |
| 83B-244-01 | 3/4"   | 0.75 | 3.68 | 1.10 | 5.53 | 3.40 | 2.40 | 1.20 | 1.65 | 2.35 | 0.24 | 0.312 | 0.500 | 1.392 | 1/4-20  | 4.0  |
| 83B-245-01 | 1"     | 1.00 | 4.19 | 1.31 | 6.53 | 4.80 | 2.67 | 1.34 | 1.80 | 2.80 | 0.48 | 0.287 | 0.500 | 1.392 | 1/4-20  | 5.7  |
| 83B-246-01 | 1-1/4" | 1.50 | 4.50 | 1.97 | 6.65 | 4.70 | 3.84 | 1.92 | 2.49 | 3.89 | 0.72 | 0.412 | 0.625 | 1.949 | 5/16-18 | 14.2 |
| 83B-247-01 | 1-1/2" | 1.50 | 4.98 | 1.97 | 6.65 | 4.70 | 3.84 | 1.92 | 2.49 | 3.89 | 0.72 | 0.412 | 0.625 | 1.949 | 5/16-18 | 14.4 |
| 83B-248-01 | 2"     | 2.00 | 5.86 | 2.56 | 8.40 | 5.47 | 4.92 | 2.46 | 3.17 | 4.74 | 0.80 | 0.477 | 0.750 | 1.949 | 5/16-18 | 27.6 |

**ASME Class 600 Carbon Steel  
3 Piece Ball Valve  
(Graph 25)**



**ASME Class 600 Stainless Steel  
3 Piece Ball Valve  
(Graph 26)**

