



# 82-200 Series

## Bronze 3-Piece Full Port Solder End Ball Valve

Solder End, 600 psig WOG, Cold Non-Shock. 150 psig Saturated Steam.

Vacuum Service to 29 inches Hg.

Federal Specification: WW-V-35B, Type: II, Composition: BZ, Style: 1.

Designed For Soft Solder or Brazed Installation.

MSS SP-110; Ball Valve Threaded, Socket-Welding, Solder Joint, Grooved and Flared Ends.

### FEATURES

- Full port configuration
- RPTFE seats and seals
- In-line repairable
- Blow-out-proof stem design
- Adjustable packing gland

### STANDARD MATERIAL LIST

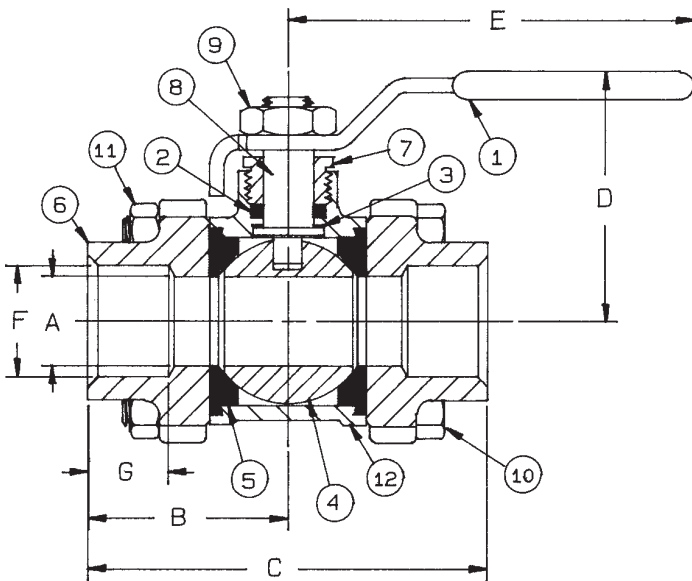
1. Lever and grip	Steel, zinc plated w/vinyl	10. Body bolt	Steel, zinc plated
2. Stem packing	RPTFE	11. Hex nut	Steel, zinc plated
3. Stem bearing	RPTFE	12. Body	B584-C84400
4. Ball	B16, chrome plated (except 3" & 4")		
5. Seat (2)	RPTFE		
6. End cap (2)	B16 (3/8")		
	B584-C84400 (1/2" to 4")		
7. Gland nut	B16		
8. Stem	B16 (except 3" & 4")		
9. Lever nut	Steel, zinc plated		

### OPTIONS AVAILABLE:

(SUFFIX)	OPTION	SIZES
-02-	Static Grounded	3/8" to 4"
-03-	1-1/4" Stem Extension	3/8" to 2"
-04-	2-1/4" Stem Extension	3/8" to 2"
-05-	Plain Ball	3/8" to 4"
-07-	Tee Handle	3/8" to 2"
-08-	90° Reversed Stem	3/8" to 4"
-10-	SS Lever & Nut	3/8" to 4"
-14-	Vented Ball (see page J-2)	3/8" to 4"
-15-	Round Handle	3/8" to 2"
-16-	Vertical Chain Lever	1/2" to 2"
-18-	Plain Yellow Grip	3/8" to 2"
-19-	Lock Plate	3/8" to 4"
-20-	Slot Vented Ball	3/8" to 4"
-21-	UHMWPE Seats	3/8" to 4"
-23-	Tank Flange	2" ONLY
-24-	Graphite Stem Packing	3/8" to 4"
-27-	Latch Lock Lever	1/2" to 2"
-30-	CamLock Handle	3/8" to 1-1/4"
-32-	SS Tee Handle & Nut	3/8" to 2"
-35-	VTFE Trim	3/8" to 4"
-39-	SS Hi-Rise Locking Wheel Handle, SS Nut	3/8" to 1-1/4"
-40-	Cyl-Loc & Grounded	3/8" to 1/2"
-45-	Less Lever & Nut	3/8" to 4"
-46-	Latch-Lock Lever - Lock in Closed Position Only	1/2" to 2"
-47-	SS Oval Latch-Lock Handle & Nut	3/8" to 3/4"
-48-	SS Oval Handle (No Latch) & Nut	1/4" to 2"
-49-	Assembled Dry	3/8" to 4"
-50-	2-1/4" CS Locking Stem Extension	3/8" to 2"
-56-	Multifill Seats & Graphite Packing	3/8" to 4"
-57-	Oxygen Cleaned	3/8" to 4"
-58-	Chain Lever - Horizontal	1/2" to 2"
-59-	SS External Trim - 3-pc. Valves	3/8" to 4"
-60-	Grounded Ball & Stem	3/8" to 4"

### VARIATIONS AVAILABLE:

82-240 Series (316 SS Ball & Stem)

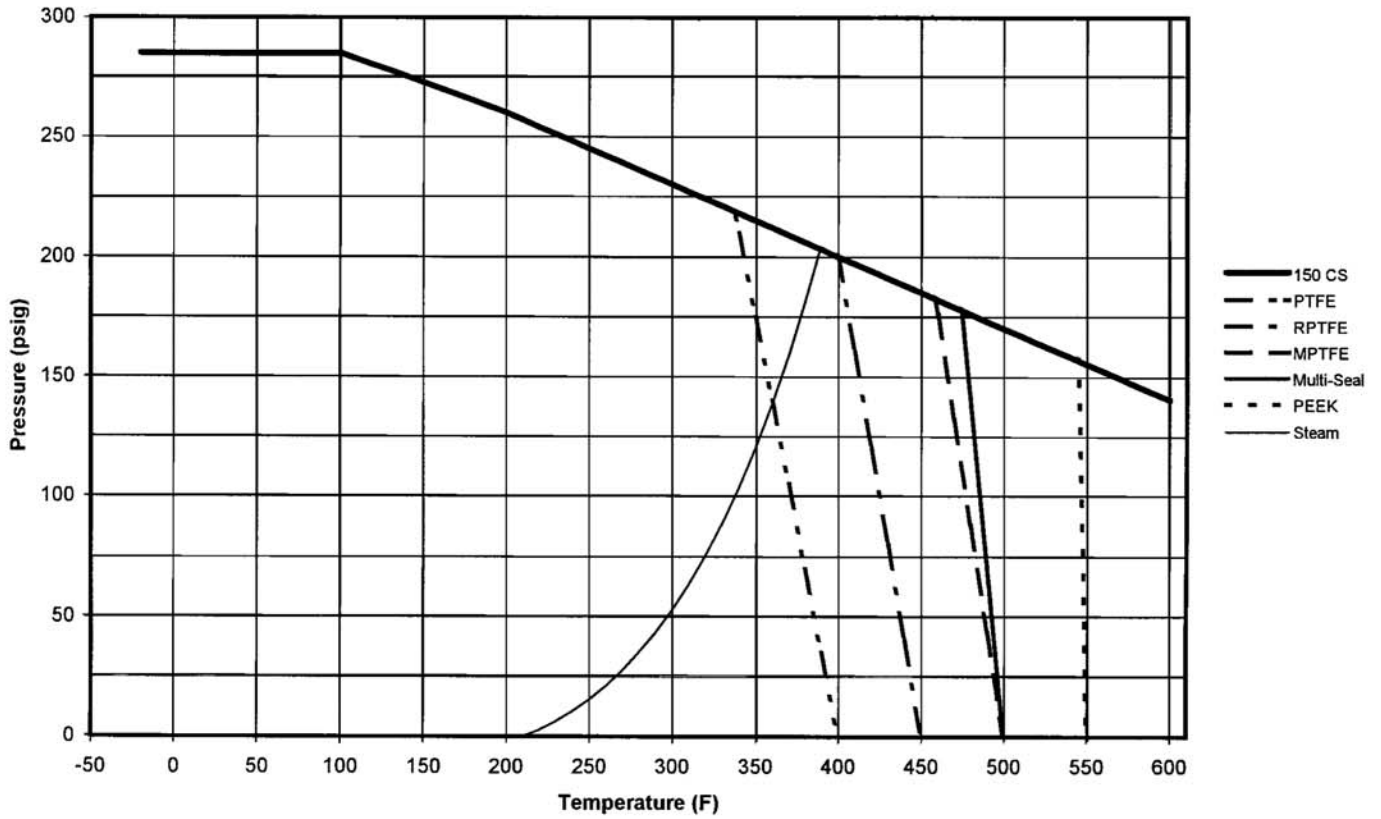


BRONZE 3-PIECE FULL PORT BALL VALVE

NUMBER	SIZE	A	B	C	D	E	F	G	Wt.
82-202-01	3/8"	.50	1.28	2.56	1.81	3.87	.505	.37	.99
82-203-01	1/2"	.62	1.40	2.81	1.93	4.87	.630	.50	1.46
82-204-01	3/4"	.81	1.71	3.43	2.18	4.87	.880	.75	2.07
82-205-01	1"	1.00	1.93	3.87	2.62	5.50	1.130	.90	3.03
82-206-01	1-1/4"	1.25	2.37	4.75	2.87	5.50	1.380	.96	5.02
82-207-01	1-1/2"	1.50	2.60	5.25	3.37	8.00	1.630	1.09	7.91
82-208-01	2"	2.00	3.01	6.03	3.68	8.00	2.130	1.34	13.50
82-209-01	2-1/2"	2.50	3.62	7.25	5.14	9.38	2.630	1.47	26.61
82-240-01	3"	3.00	4.00	8.00	6.77	18.00	3.130	1.66	42.24
82-24A-01	4"	4.00	5.50	11.00	8.26	18.00	4.130	2.16	88.40

**For Pressure/Temperature Ratings,  
Refer to Page M-8, Graph No. 4**

## Class 150 CS P-T Rating (Graph 1)



## Class 150 SS P-T Rating (Graph 2)

