

Direct Mounted Dial Thermometers

3 1/2" and 4 1/2" / Adjustable Angle Type / Vapor or Liquid Actuation



V80445 pictured

3 1/2" and 4 1/2"
Dial Sizes

± One Scale
Division
Accuracy

Vapor or
Liquid
Actuated

Terice Adjustable Angle Dial Thermometers are intended for use within the construction and HVAC industries. Once the sensing bulb has been installed, the angle of the dialface may be adjusted forward and backward to provide maximum readability. This instrument is available in 3 1/2" and 4 1/2" dial sizes with a flangeless, stainless steel or cast aluminum case.

Optional features are also available. Please consult the Options Section for details.

For applications where the process media may be corrosive or contained under pressure, the use of a thermowell is required to prevent damage to the thermometer and facilitate its removal from the process.

Specifications

Model	Size	Case Style	Case Material	Window	Ring	Pointer
80030	3 1/2"	Adjustable angle	Stainless steel	Acrylic, snap-in with nitrile o-ring seal	None	Adjustable, black finished
80445 (Vapor only)	4 1/2"	Adjustable angle	Cast aluminum, black finished	Glass	Friction type, stainless steel	Adjustable, black finished

Dialface
Aluminum, white background with black graduations and markings

Accuracy
±One scale division

Approximate Shipping Weight
80030: 1.3 lbs [0.59 kg]
80445: 1.4 lbs [0.64 kg]

How to Order

Sample Order Number V80445100B14

V 80445 100 B14

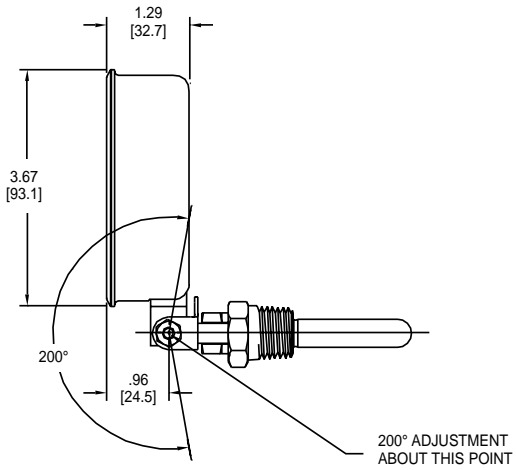
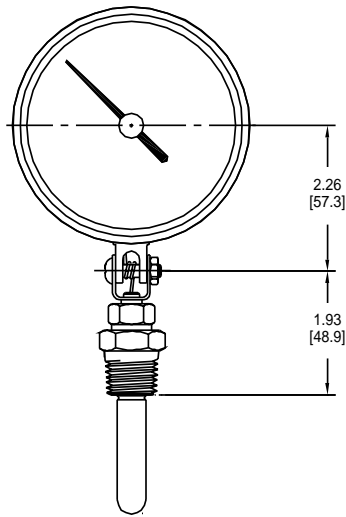
Actuation	Model	Specific Range	Thermal System
V Vapor	80030	See Standard	See Standard
L Liquid	80445 (Vapor only)	Available Ranges (over)	System Selection (page 30)

Direct Mounted Dial Thermometers

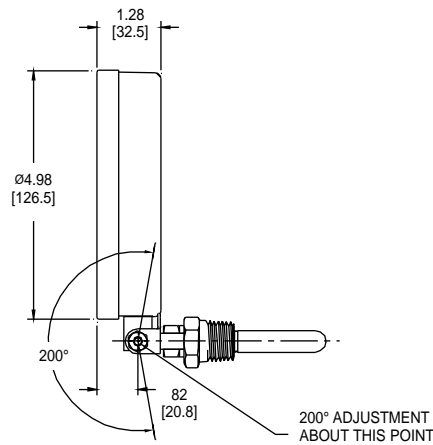
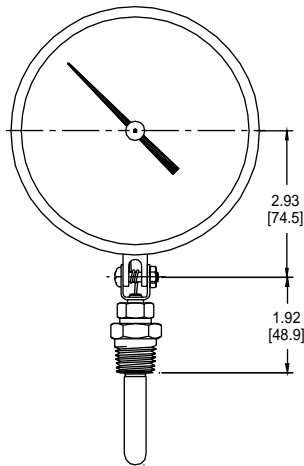
Adjustable Angle Type

All dimensions are nominal.
Dimensions in [] are in millimeters.

80030



80445



Standard Available Ranges

Vapor Actuated					Liquid Actuated				
Fahrenheit Code	Range	Celsius Code	Range	Dual Scale Code	Fahrenheit Code	Range	Celsius Code	Range	Dual Scale Code
030	-40° to 150°F	430	-40° to 65°C	230	020	-40° to 120°F	420	-40° to 50°C	220
040	-20° to 100°F	440	-30° to 40°C	240	050	0° to 100°F	450	-20° to 40°C	250
050	0° to 100°F	450	-20° to 40°C	250	060	0° to 160°F	460	-20° to 70°C	260
065	0° to 160°F	465	-20° to 70°C	265	100	30° to 180°F	495	0° to 80°C	300
100	30° to 180°F	500	0° to 85°C	300	110	30° to 240°F	510	0° to 115°C	310
110	30° to 240°F	510	0° to 115°C	310	130	50° to 300°F	530	10° to 150°C	330
120	30° to 300°F	520	0° to 150°C	320					
145	100° to 350°F	545	40° to 180°C	345					
160	200° to 450°F	560	90° to 230°C	360					