



77-ARX Series

Bronze Full Port Ball Valve with Actuator Ready ISO Mounting Pad

Threaded, 600 psig WOG, Cold Non-Shock. 250 psig Saturated Steam. (See referenced P/T chart).
Vacuum Service to 29 inches Hg.

Federal Specification: WW-V-35C, Type: II, Composition: BZ, Style: 3.

MSS SP-110; Ball Valves Threaded, Socket-Welding, Solder Joint, Grooved and Flared Ends.

FEATURES

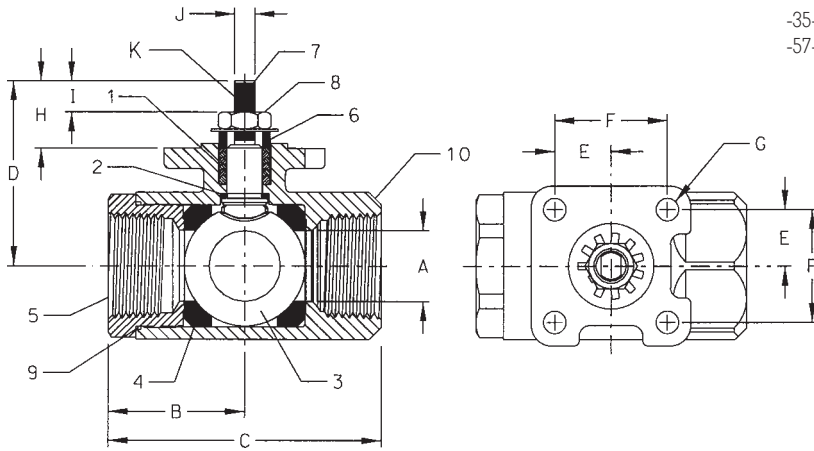
- Multi-piece packing set
- ISO 5211 mounting pad
- Stainless ball & stem
- Blow-out-proof stem design
- Adjustable packing gland
- Live loaded packing

STANDARD MATERIAL LIST

1. Stem packing	MPTFE	6. Gland	B16
2. Stem bearing	RYTON	7. Stem	A276-316
3. Ball	316 SS	8. Jam nut	SS
4. Seat (2)	MPTFE	9. Body seal	PTFE (1-1/4" to 2")
5. Retainer	B16 (1/4" to 1")	10. Body	B584-C84400
	B584-C84400 (1-1/4" to 2")	11. Belleville washer(s)	SS

OPTIONS AVAILABLE:

(SUFFIX)	OPTION	SIZES
-14-	Vented Ball	1/4" to 2"
-24-	Graphite Packing	1/4" to 2"
-27-	Latch Lock Handle	1/4" to 2"
-35-	PTFE Seats	1/4" to 2"
-57-	Oxygen Cleaned	1/4" to 2"

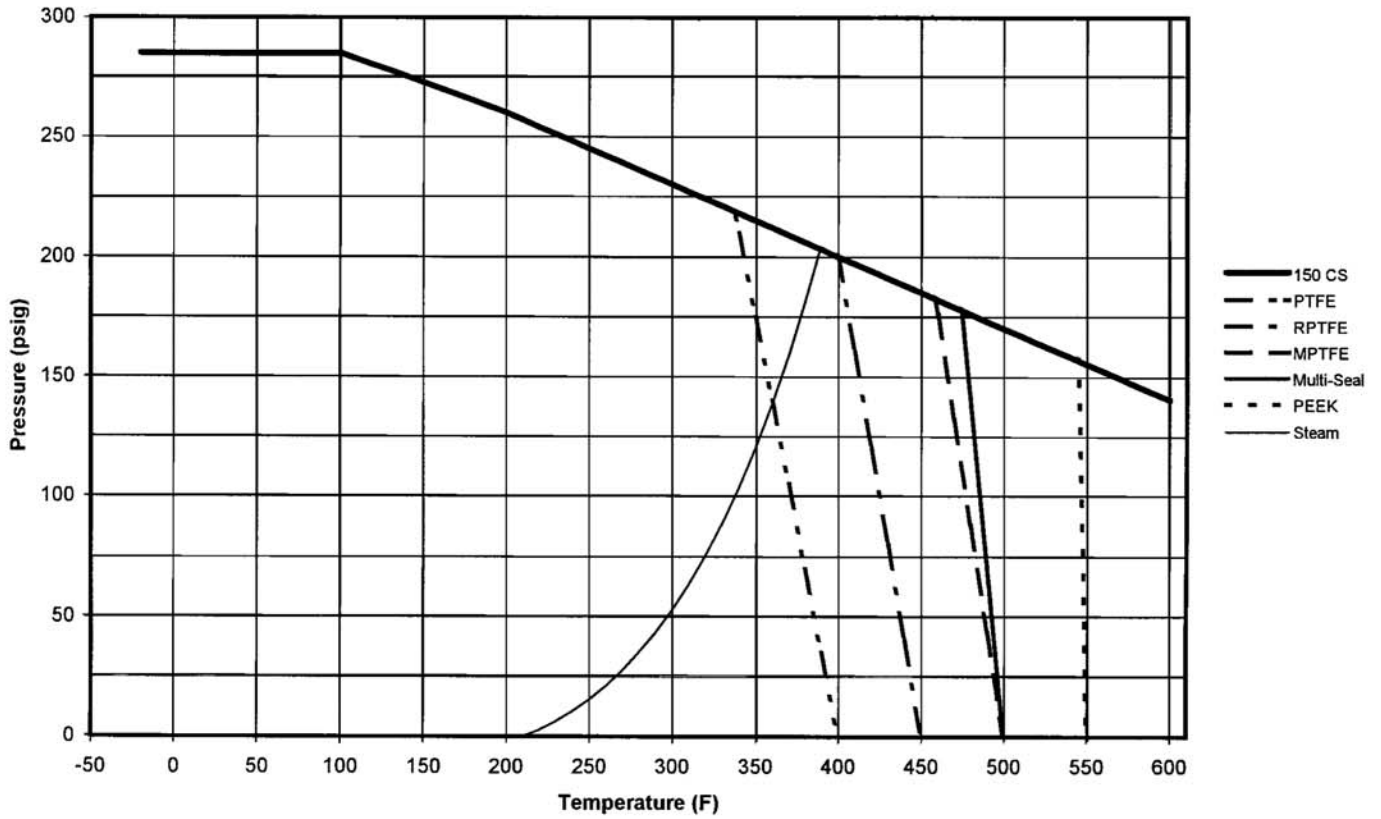


**For Pressure/Temperature Ratings,
Refer to Page M-8, Graph No. 4**

BRONZE FULL PORT BALL VALVE WITH ISO MOUNTING PAD

NUMBER	SIZE	A	B	C	D	E	F	G	H	I	J (FLATS)	K (THRDS.) UNF	WT.
77-AR1-64	1/4"	.37	1.02	2.18	1.40	.61	1.17	.28	.61	.23	.247/.249	3/8-24	.60
77-AR2-64	3/8"	.37	1.02	2.18	1.40	.61	1.17	.28	.61	.23	.247/.249	3/8-24	.57
77-AR3-64	1/2"	.50	1.12	2.20	1.54	.61	1.17	.28	.61	.21	.247/.249	3/8-24	.62
77-AR4-64	3/4"	.86	1.68	3.12	2.28	.70	1.39	.28	.84	.31	.247/.249	3/8-24	1.76
77-AR5-64	1"	1.00	1.81	3.62	2.87	.98	1.95	.34	1.06	.40	.370/.372	5/8-18	3.44
77-AR7-64	1-1/2"	1.50	2.37	4.75	3.37	.98	1.95	.34	1.16	.37	.370/.372	5/8-18	6.25
77-AR8-64	2"	2.00	2.69	5.38	3.86	.98	1.95	.34	1.16	.37	.370/.372	5/8-18	11.72

Class 150 CS P-T Rating (Graph 1)



Class 150 SS P-T Rating (Graph 2)

