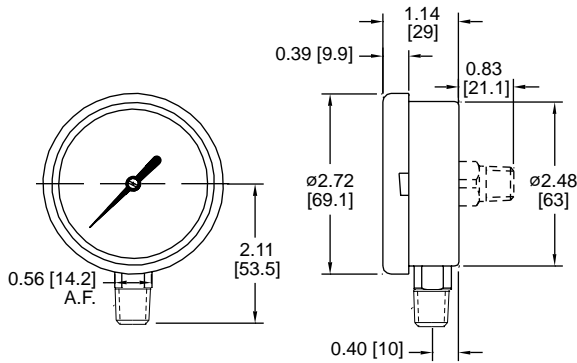


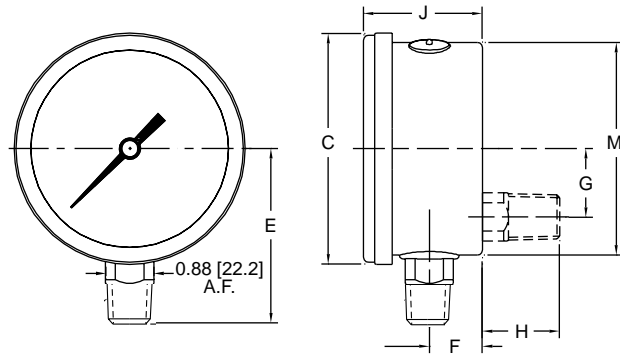
Industrial Gauge 700 Series

2 1/2"

All dimensions are nominal.
Dimensions in [] are in millimeters.



4" & 6"



Dial Size	Material	C	E	F	G	H	J	M
4"	Brass	4.18 [106]	3.00 [76]	0.96 [24]	1.24 [31]	1.13 [29]	2.15 [55]	3.85 [98]
	SS/Monel	4.18 [106]	3.17 [81]	0.96 [24]	1.24 [31]	1.40 [36]	2.15 [55]	3.85 [98]
6"	Brass	5.92 [150]	3.72 [94]	0.96 [24]	1.24 [31]	1.13 [29]	2.15 [55]	5.58 [142]
	SS/Monel	5.92 [150]	3.94 [100]	0.96 [24]	1.24 [31]	1.40 [36]	2.15 [55]	5.58 [142]

Standard Available Ranges

		psi Ranges (PSI)			
Range Code	Specific Range	Figure Intervals	Minor Divisions	Figure Intervals	Minor Divisions
		2 1/2" Dial Size		4" & 6" Dial Size	
010	30" Hg to 0	5	0.5	5	0.2
020	30" Hg to 15 psi	10/5	1/0.5	5/5	0.5/0.2
030	30" Hg to 30 psi	10/5	1/0.5	10/5	1/0.5
040	30" Hg to 60 psi	10/10	2/1	10/10	1/1
050	30" Hg to 100 psi	30/20	2/2	30/10	2/1
060	30" Hg to 150 psi	30/20	5/2	30/20	5/2
070	30" Hg to 300 psi	30/50	5/5	30/50	5/2
080	0 to 15 psi	3	0.2	3	0.1
090	0 to 30 psi	5	0.5	5	0.2
100	0 to 60 psi	10	1	10	0.5
110	0 to 100 psi	10	2	10	1
120	0 to 160 psi	20	2	20	2
130	0 to 200 psi	20	2	20	2
140	0 to 300 psi	50	5	50	2

Standard Available Ranges continued

		psi Ranges (PSI)			
Range Code	Specific Range	Figure Intervals	Minor Divisions	Figure Intervals	Minor Divisions
		2 1/2" Dial Size		4" & 6" Dial Size	
150	0 to 400 psi	50	5	50	5
160	0 to 600 psi	100	10	50	5
Ranges over 600 psi are not available in 700B or 700LFB in 4" or 6" Dial Sizes.					
180	0 to 1000 psi	100	20	100	10
190	0 to 1500 psi	200	20	300	10
200	0 to 2000 psi	200	20	200	20
210	0 to 3000 psi	300	20	300	20
220	0 to 5000 psi	500	50	500	50
230	0 to 10,000 psi	2000	200	1000	100
Ranges over 10,000 psi are ONLY available in 700SS or 700LFSS in 4" or 6" Dial Sizes.					
240	0 to 15,000 psi	N/A	N/A	500	100
250	0 to 20,000 psi	N/A	N/A	1000	100

kPa, kg/cm², and dual scale (psi/kPa and psi & kg/cm²) ranges are available. Specify the range required along with the appropriate Units of Measure code (PSI/KPA or PSI/KG). Other pressure measurement ranges available, including Altitude, Ammonia, Refrigerant and Receiver ranges. Consult Special Application Ranges section or factory for availability.