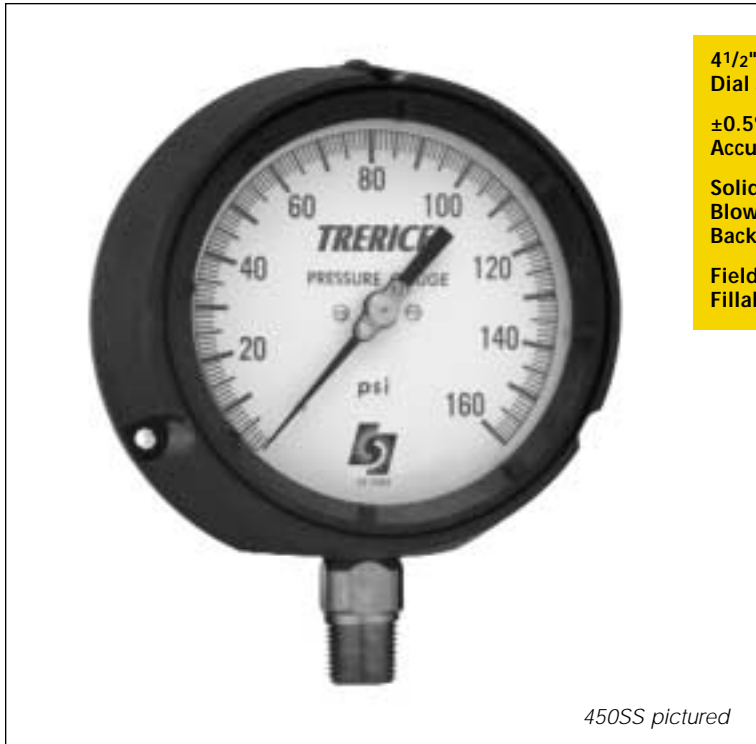


Process Gauge 450 Series

with Solid Front



450SS pictured

4 1/2"
Dial Size

±0.5%
Accuracy

Solid Front/
Blow-Out
Back

Field Liquid
Fillable

The Trerice Series 450 Process Gauge is designed for the petrochemical and industrial process industries. This solid front, blow-out back gauge is noted for its fiberglass reinforced polypropylene turret case and screwed ring; its sturdy interior design; and its liquid-fill capability. The Series 450 can withstand the most rugged industrial applications, while maintaining precise accuracy. Wetted parts are bronze tube/brass socket, stainless steel, or Monel.

Optional features are also available. Please consult the Options Section for details.

For correct use and application of all pressure gauges, please refer to Pressure Gauge Standard ASME B40.100.

Specifications

Models

450B (dry), 450LFB (liquid filled)
450SS (dry), 450LFSS (liquid filled)
450M (dry), 450LFM (liquid filled)

Size

4 1/2"

Wetted Parts

450B, 450LFB: Bronze tube, brass socket

450SS, 450LFSS: 316 stainless steel tube and socket

450M, 450LFM: Monel tube and socket (meets NACE MR 01.75)

Movement

Stainless steel

Connection

Lower male or lower back male, 1/4 or 1/2 NPT

Case

Fiberglass reinforced polypropylene, turret, solid front with blow-out back

Ring

Threaded fiberglass reinforced polypropylene

Window

Acrylic

Pointer

Micro adjustable, black finished

Dialface

Aluminum, white background with black graduations and markings

Accuracy

±0.5% Full Scale, ASME B40.100 Grade 2A

Maximum Temperature

450B, 450SS, 450M: 250°F (121°C)

450LFB, 450LFSS, 450LFM: 150°F (65°C)

Approximate Shipping Weight

450B, 450SS, 450M: 2.2 lbs [1.00 kg]

450LFB, 450LFSS, 450LFM: 3.1 lbs [1.41 kg]

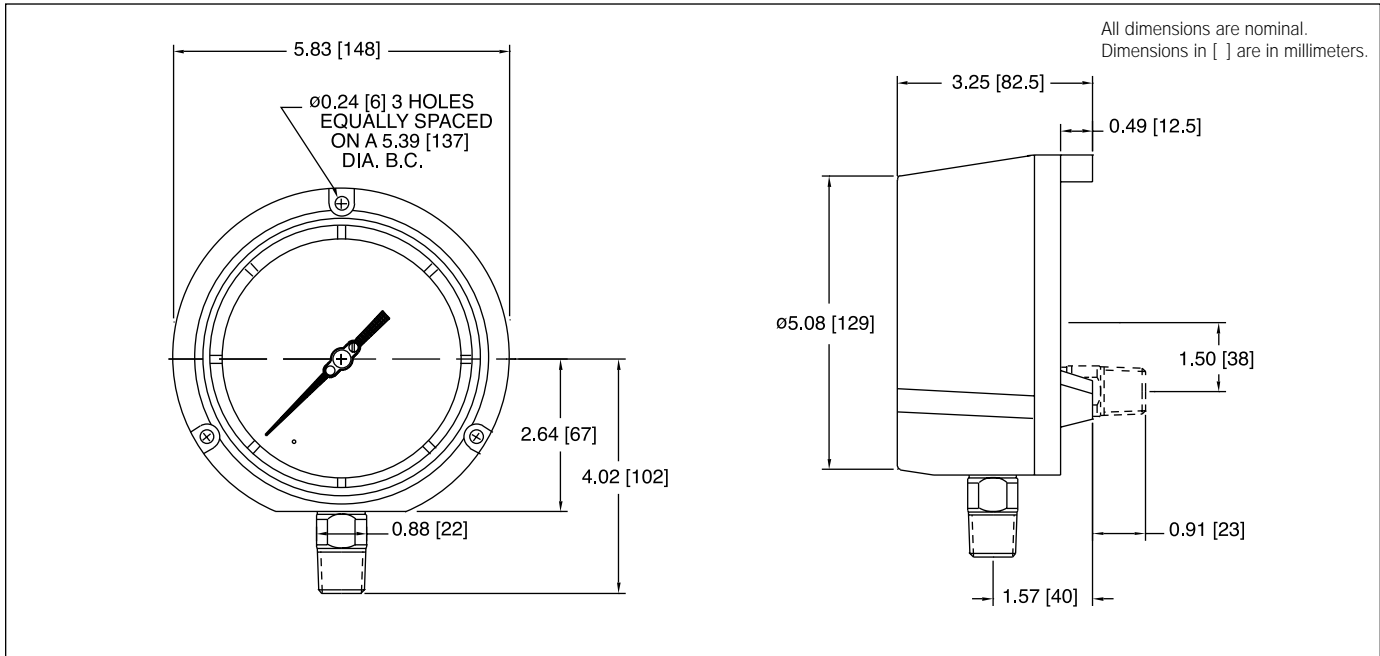
How to Order

Sample Order Number: 450LFBG45TRL250PSI110
450LFB G 45 TRL 250 PSI 110

Model	Liquid Fill Type	Dial Size	Case Type & Connection Location	Connection Size	Units of Measure	Range Code
450B	G Glycerine	45 4 1/2"	TRB Turret Back	250 1/4 NPT	PSI psi	See Standard Available Ranges (over)
450LFB	S Silicone		TRL Turret Lower	500 1/2 NPT	KPA kPa	
450SS	Omit if Dry				KG kg/cm ²	
450LFSS					PSI/KPA psi/kPa	
450M					PSI/KG psi & kg/cm ²	
450LFM						

Process Gauge 450 Series

with Solid Front



Standard Available Ranges

psi Ranges (PSI)				kPa Ranges (KPA)				kg/cm ² Ranges (KG)			
Range Code	Specific Range	Figure Intervals	Minor Divisions	Range Code	Specific Range	Figure Intervals	Minor Divisions	Range Code	Specific Range	Figure Intervals	Minor Divisions
010	30" Hg to 0	5	0.2	010	-100 to 0 kPa	10	1	010	76 cm Hg to 0	15	1
020	30" Hg to 15 psi	10/5	0.5/0.2	020	-100 to 100 kPa	20	2	020	76 cm Hg to 1 kg/cm ²	20/0.5	5/0.1
030	30" Hg to 30 psi	10/5	1/0.5	030	-100 to 200 kPa	50	5	030	76 cm Hg to 2 kg/cm ²	20/0.5	5/0.1
040	30" Hg to 60 psi	10/10	1/1	040	-100 to 400 kPa	50	5	040	76 cm Hg to 4 kg/cm ²	25/1	5/0.1
050	30" Hg to 100 psi	30/10	2/1	050	-100 to 600 kPa	100	10	050	76 cm Hg to 7 kg/cm ²	76/1	15/0.2
060	30" Hg to 150 psi	30/25	5/2	060	-100 to 1000 kPa	100	10	060	76 cm Hg to 10 kg/cm ²	76/1	15/0.2
070	30" Hg to 300 psi	30/50	5/2	070	-100 to 2000 kPa	400	25	070	76 cm Hg to 21 kg/cm ²	76/3	38/0.5
080	0 to 15 psi	3	0.1	080	0 to 100 kPa	10	1	080	0 to 1 kg/cm ²	0.2	0.02
090	0 to 30 psi	5	0.2	090	0 to 200 kPa	20	2	090	0 to 2 kg/cm ²	0.2	0.05
100	0 to 60 psi	10	0.5	100	0 to 400 kPa	50	5	100	0 to 4.2 kg/cm ²	0.5	0.1
110	0 to 100 psi	10	1	110	0 to 700 kPa	100	10	110	0 to 7 kg/cm ²	1	0.2
120	0 to 160 psi	20	1	120	0 to 1200 kPa	200	20	120	0 to 11 kg/cm ²	1	0.1
130	0 to 200 psi	20	2	130	0 to 1500 kPa	300	20	130	0 to 14 kg/cm ²	2	0.2
140	0 to 300 psi	50	2	140	0 to 2000 kPa	200	20	140	0 to 21 kg/cm ²	3	0.2
150	0 to 400 psi	50	5	150	0 to 3000 kPa	500	50	150	0 to 28 kg/cm ²	4	0.5
160	0 to 600 psi	100	5	160	0 to 4000 kPa	500	50	160	0 to 42 kg/cm ²	6	1
180	0 to 1000 psi	100	10	180	0 to 7000 kPa	1000	100	180	0 to 70 kg/cm ²	10	1
Ranges over 1000 psi are not available on 450B and 450LFB.											
190	0 to 1500 psi	300	10	190	0 to 10,000 kPa	1000	100	190	0 to 100 kg/cm ²	10	1
200	0 to 2000 psi	200	20	200	0 to 14,000 kPa	2000	100	200	0 to 140 kg/cm ²	20	2
210	0 to 3000 psi	300	20	210	0 to 20,000 kPa	2000	200	210	0 to 210 kg/cm ²	30	2
220	0 to 5000 psi	500	50	220	0 to 35,000 kPa	5000	500	220	0 to 350 kg/cm ²	35	5
230	0 to 10,000 psi	1000	100	230	0 to 60,000 kPa	10,000	500	230	0 to 700 kg/cm ²	100	10
Ranges over 10,000 psi are only available on 450SS and 450LFSS.											
240	0 to 15,000 psi	3000	100	240	0 to 100,000 kPa	10,000	1000	240	0 to 1000 kg/cm ²	100	10
250	0 to 20,000 psi	2000	200	250	0 to 140,000 kPa	20,000	2000	250	0 to 1400 kg/cm ²	200	20

Dual scale (psi/kPa and psi & kg/cm²) ranges are available. Specify the PSI Range Code along with the appropriate Units of Measure code (PSI/KPA or PSI/KG). Other pressure measurement ranges are available, including Altitude, Ammonia, Refrigerant and Receiver ranges. Consult Special Application Ranges section or factory for availability.

