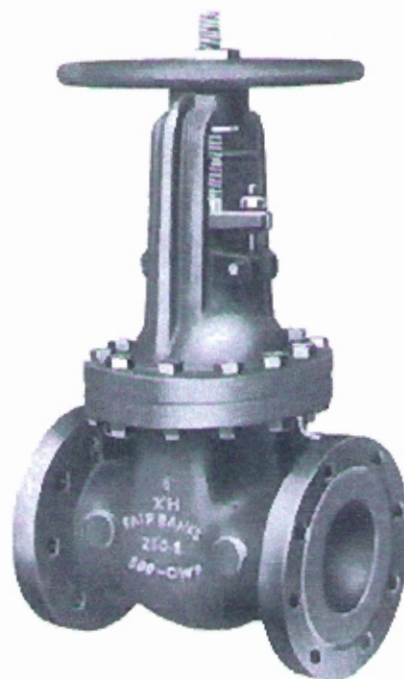
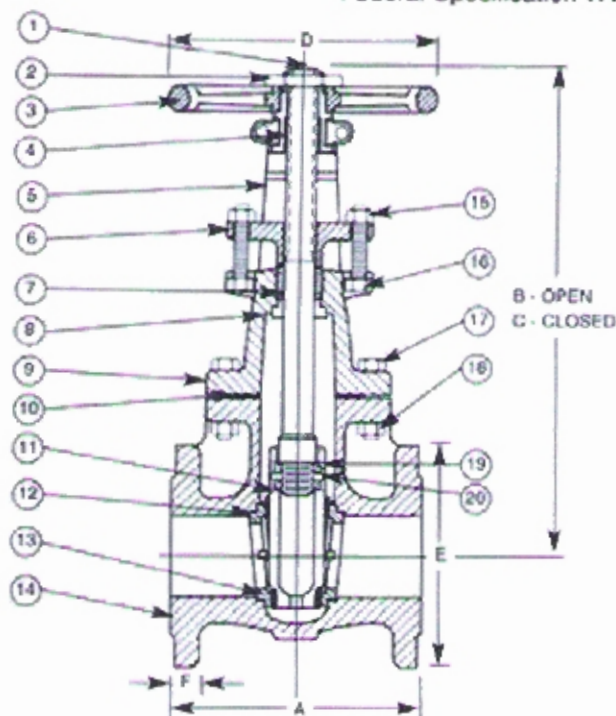


Class 250

Fig. 0312 Gate Valve
 2"–12" Flanged 250 PSI SWP 500 PSI CWP
 Bronze Mounted – Outside Screw & Yoke – Taper Seat

Conforms to MSS SP-70
 Federal Specification WW-V-58 Type I, Class 2



0312 PART

0312 PART	SPECIFICATION
1. Stem	Brass ASTM B-16
2. Yoke Lock Nut	Brass ASTM B-16
3. Handwheel	Cast Iron ASTM A-126 CL B
4. Yoke Nut	Bronze ASTM B-62
5. Yoke	Cast Iron ASTM A-126 CL B
6. Follower	Cast Iron ASTM A-126 CL B
7. Packing	Non Asbestos
8. Bonnet Bushing	Brass ASTM B-16
9. Bonnet	Cast Iron ASTM A-126 CL B
10. Body/Bonnet Gasket	Non Asbestos

11. Wedge	Cast Iron ASTM A-126 CL B
12. Seat Ring	Bronze ASTM B-62
13. Wedge Face	Bronze ASTM B-62
14. Body	Cast Iron ASTM A-126 CL B
15. Gland Nut	Steel ASTM A-307 GR B
16. Gland Bolt	Steel ASTM A-307 GR B
17. Body Bolt	Steel ASTM A-307 GR B
18. Body Nut	Steel ASTM A-307 GR B
19. Wedge Nut	Bronze ASTM B-62
20. Pin	Brass ASTM B-16

SIZE	0312 DIMENSIONS (in.)					
	A	B	C	D	E	F
2"	8 ¹ / ₂	15 ²⁷ / ₃₂	13 ¹³ / ₁₆	7 ¹ / ₂	6 ¹ / ₂	⁷ / ₈
2 ¹ / ₂ "	9 ¹ / ₂	17 ⁵ / ₃₂	16	7 ¹ / ₂	7 ¹ / ₂	1
3"	11 ¹ / ₈	19 ³¹ / ₃₂	16 ¹¹ / ₁₆	8 ²⁷ / ₃₂	8 ¹ / ₄	1 ¹ / ₈
4"	12	25 ³ / ₈	20 ⁵ / ₈	12	10	1 ¹ / ₄
6"	15 ⁷ / ₈	32 ⁵ / ₈	26 ⁵ / ₁₆	14	12 ¹ / ₂	1 ⁷ / ₁₆
8"	18 ¹ / ₂	41 ²⁷ / ₃₂	33 ⁹ / ₃₂	16	15	1 ⁵ / ₈
10"	18	50 ¹ / ₈	39 ³ / ₈	18	17 ¹⁷ / ₃₂	1 ⁷ / ₈
12"	19 ³ / ₄	58 ⁵ / ₈	45 ⁷ / ₈	20	20 ¹ / ₂	2

SIZE	WEIGHT (lbs.)								
	2"	2 ¹ / ₂ "	3"	4"	5"	6"	8"	10"	12"
0312	56	74	105	180	260	335	520	714	1070

All face to face dimensions conform to ANSI B16.10. Flanges of these valves conform to ANSI B16.1. It is recommended that valves 6" and larger be equipped with a by-pass. The size of the by-pass will be based on steam ratings in accordance with MSS Standard SP-45 unless otherwise ordered.