

Iron Body Globe Valve

Fairbanks®

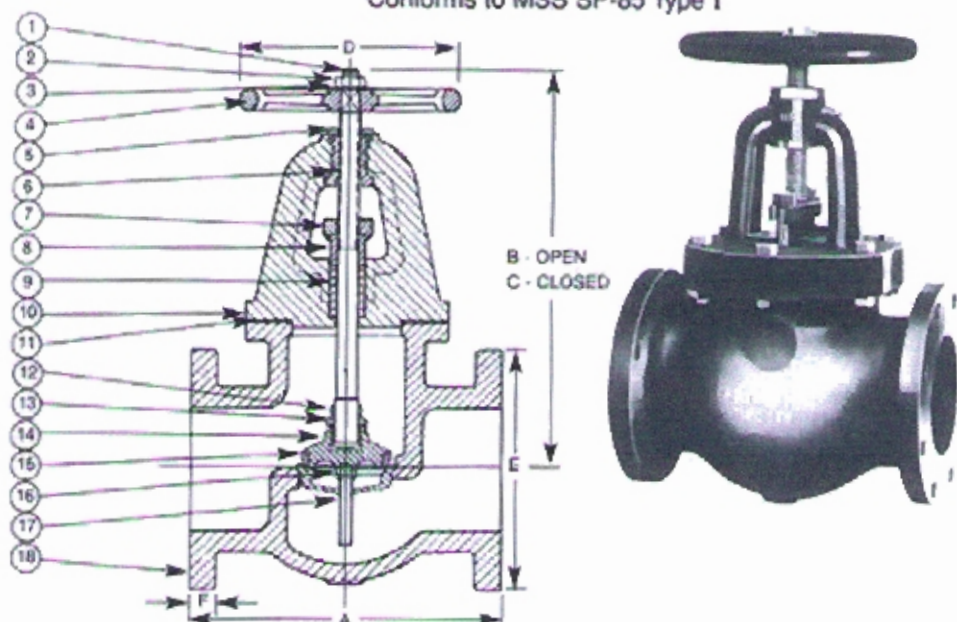
Class 125

Fig. 0131 Globe Valve

2"-12" Flanged 125 PSI SWP 200 PSI CWP

Bronze Mounted - Bronze-Faced Bevel Disc - Bronze Seat - Re-grinding - Renewable

Conforms to MSS SP-85 Type I



0131 PART

1. Stem	Brass ASTM B-16
2. Handwheel Nut	Steel ASTM A-307 GR B
3. Handwheel Washer	Steel
4. Handwheel	Cast Iron ASTM A-126 CL B
5. Yoke Lock Nut	Brass ASTM B-16
6. Yoke Nut	Bronze ASTM B-62
7. Follower	Cast Iron ASTM A-126 CL B
8. Gland	Bronze ASTM B-62
9. Packing	Non Asbestos
10. Bonnet	Cast Iron ASTM A-126 CL B
11. Body/Bonnet Gasket	Non Asbestos
12. Swivel Nut	Cast Iron ASTM A-126 CL B
13. Retainer	Brass ASTM B-16
14. Disc	Cast Iron ASTM A-126 CL B
15. Disc Face	Bronze ASTM B-62
16. Seat Ring	Bronze ASTM B-62
17. Disc Guide	Brass ASTM B-16
18. Body	Cast Iron ASTM A-126 CL B
19. Body Bolt (Not Shown)	Steel ASTM A-307 GR B
20. Body Nut (Not Shown)	Steel ASTM A-307 GR B
21. Follower Stud (Not Shown)	Steel ASTM A-307 GR B
22. Follower Stud Nut (Not Shown)	Steel ASTM A-307 GR B

SPECIFICATION

(This table is merged into the '0131 PART' table above for better readability.)

SIZE	0131 DIMENSIONS (in.)					
	A	B	C	D	E	F
2"	8	10 ⁵ / ₈	9 ⁷ / ₁₆	6 ¹ / ₂	6	5 ¹ / ₈
2 ¹ / ₂ "	9 ¹ / ₂	11 ¹³ / ₃₂	10 ¹ / ₃₂	8 ¹ / ₂	7	1 ¹ / ₁₆
3"	9 ¹ / ₂	12 ¹³ / ₃₂	10 ²⁹ / ₃₂	7 ¹⁵ / ₃₂	7 ¹ / ₂	3 ³ / ₄
4"	11 ¹ / ₂	15 ⁵ / ₃₂	13 ¹¹ / ₁₆	9 ²¹ / ₃₂	9	1 ⁵ / ₁₆
5"	13	14 ⁹ / ₁₆	14 ³ / ₁₆	12	10	1 ⁵ / ₁₆
6"	14	17 ³ / ₄	15 ¹ / ₂	12	11	1
8"	19 ¹ / ₂	19 ¹¹ / ₁₆	18 ⁵ / ₈	14	13 ¹ / ₂	1 ¹ / ₈
10"	24 ¹ / ₂	22 ¹¹ / ₁₆	20 ⁹ / ₁₆	20	16	1 ³ / ₁₆
12"	27 ¹ / ₂	27	23 ¹ / ₄	22	18	1 ¹ / ₄

SIZE	WEIGHT (lbs.)									
	2"	2 ¹ / ₂ "	3"	4"	5"	6"	8"	10"	12"	
0131	36	49	57	95	139	183	378	523	700	

All face to face dimensions conform to ANSI B16.10. Flanges of these valves conform to ANSI B16.1. It is recommended that valves 6" and larger be equipped with a by-pass. The size of the by-pass will be based on steam ratings in accordance with MSS Standard SP-45 unless otherwise ordered.